



MOTOROLA

TCA4500A

Advance Information

**FM STEREO DEMODULATOR
DESIGNED FOR USE IN HI-FI STEREO RECEIVERS
AND CAR RADIOS**

- Wide Supply Range: 8 – 16 Vdc
- Excellent Channel Separation Maintained Over Entire Audio Frequency Range (Fixed or Adjustable)
- Variable Blend Control
- Low Distortion: 0.3% THD at 2.5 Vp-p Composite Input Signal
- Excellent Rejection of ARI Subcarrier (57 kHz)
- Excellent Rejection of Pilot Tone Harmonics including 114 kHz
- Wide Dynamic Range: 0.5 – 2.5 Vp-p Composite Input Signal
- Up to 6 dB Gain (Monaural)
- Low Output Impedance
- Transient-free Mono/Stereo Switching
- 50 dB Supply Ripple Rejection
- Integrated Stereo/Monaural Switch – 100 mA Lamp Driving Capability
- Requires No Inductors

**FM STEREO
DEMODULATOR**

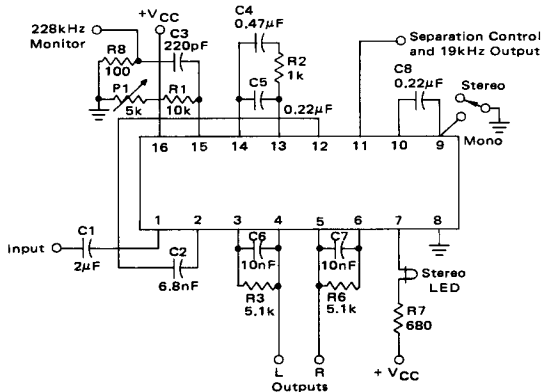
**SILICON MONOLITHIC
INTEGRATED CIRCUIT**



**PLASTIC PACKAGE
CASE 648-06**

9

FIGURE 1 – TYPICAL APPLICATION AND TEST CIRCUIT



PIN FUNCTIONS

- 1 – Input
- 2 – Preamplifier output
- 3 – Left amplifier input
- 4 – Left channel output
- 5 – Right channel output
- 6 – Right amplifier input
- 7 – Stereo indicator Lamp
- 8 – Ground
- 9 – Stereo switch filter
- 10 – Stereo switch filter
- 11 – 19 kHz output/blend
- 12 – Modulator input
- 13 – Loop filter
- 14 – Loop filter
- 15 – Oscillator RC network
- 16 – VCC

This document contains information on a new product. Specifications and information herein are subject to change without notice.

MOTOROLA LINEAR/INTERFACE DEVICES

9-142