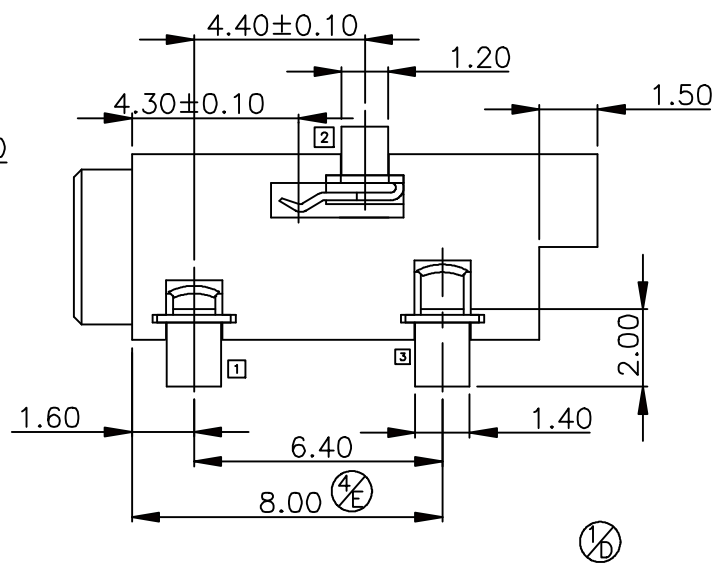
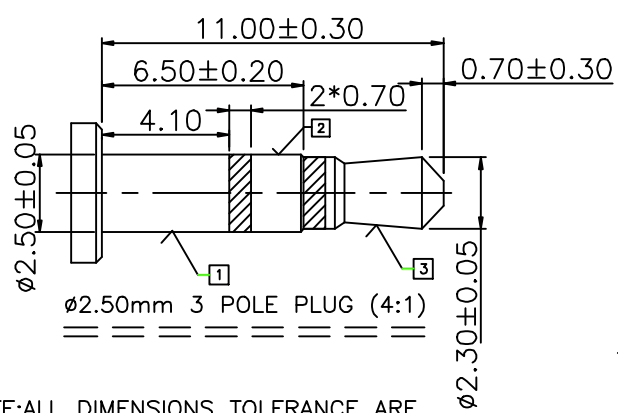
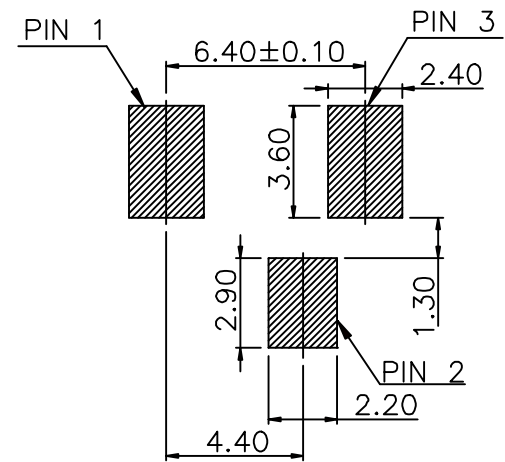


RECOMMENDED P.C.B LAYOUT



NOTE: ALL DIMENSIONS TOLERANCE ARE.
1. PIN TOLERANCE: ±0.10mm.
2. ±0.25mm UNLESS OTHERWISE NOTED.

3				
2	TERMINAL	PHOS.BRONZE		GOLD/TIN PLATED
1	PLASTICS	HIGH TEMP.PLASTIC	BLACK	UL94V-0
	NO. DESCRIPTION	MATERIAL	COLOR	REMARK



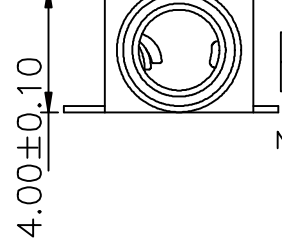
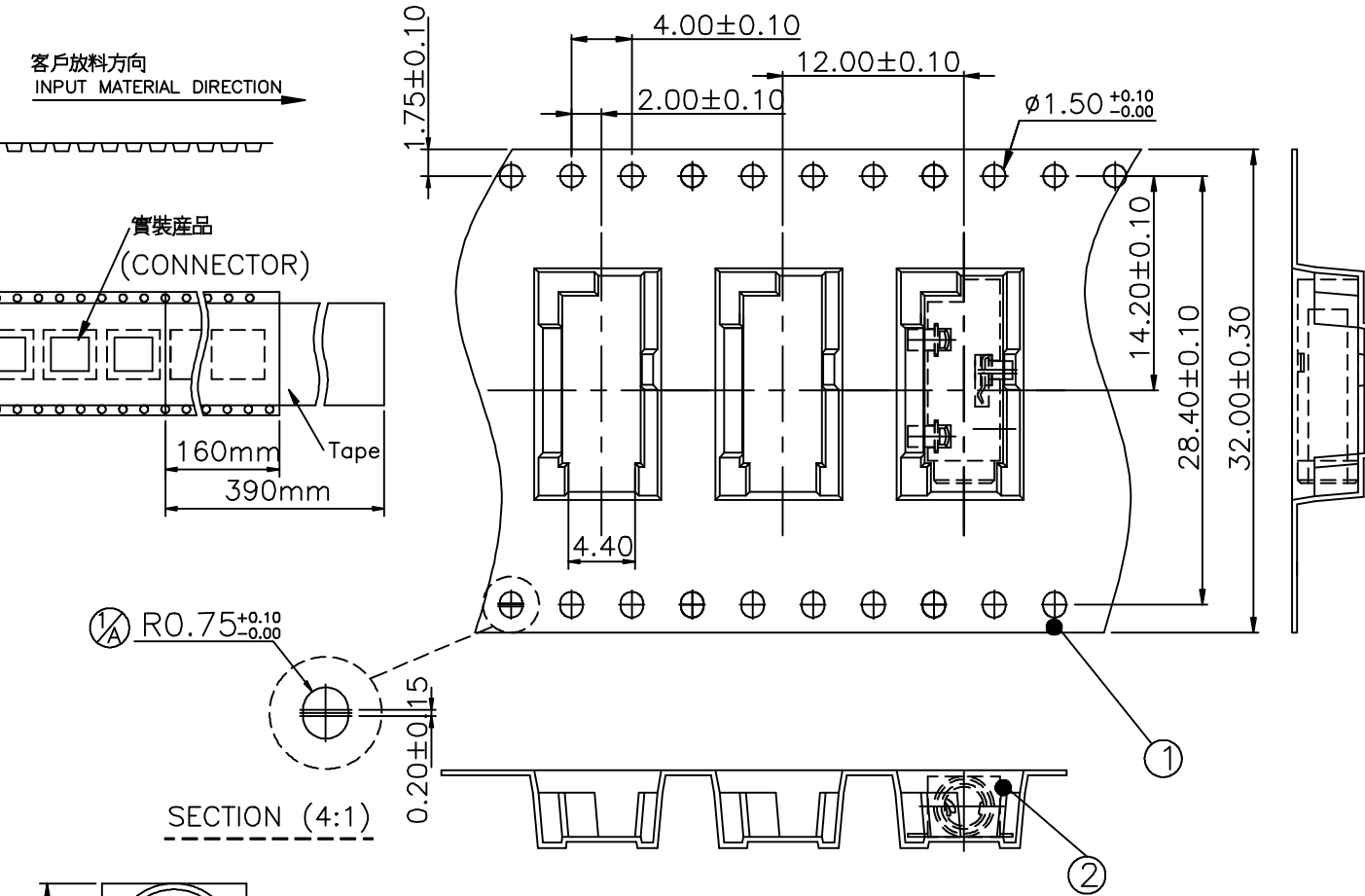
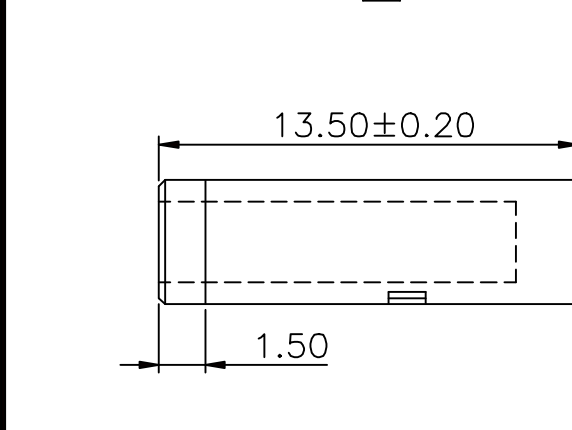
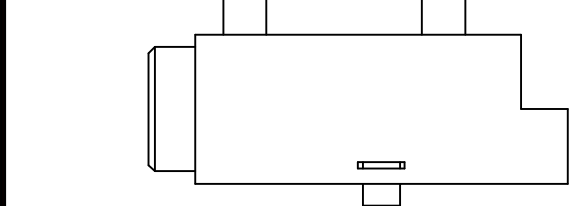
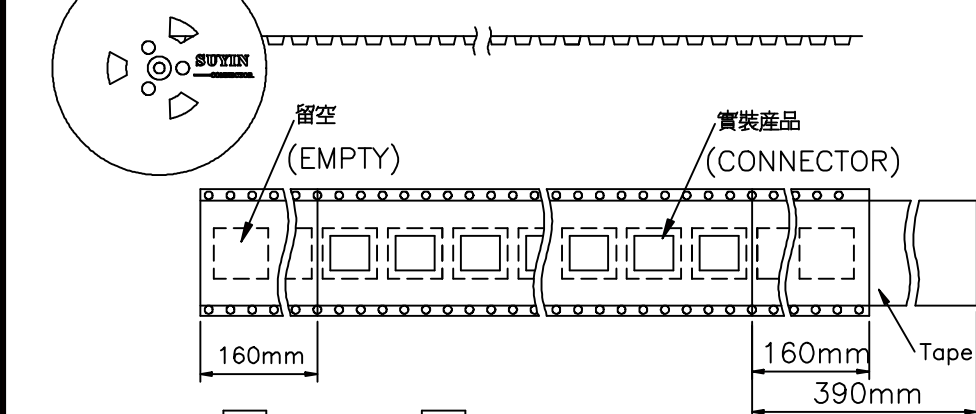
CUSTOMER COPY	TITLE: ϕ 2.50mm EARPHONE JACK			
PART NO.	010162FB003S200ZL(2/B)			
PRODUCT SPEC.	010162FB/RC62			
FILE NAME.	D/ING	010162FB003S200ZL-C		
SCALE	8:1	UNIT:mm	A4	SHEET: 1 of 2

ECN(DCN) NO.	REV	DATE	DESCRIPTION	CHANGE	APPRO.	GENERAL TOLERANCE UNLESS OTHERWISE NOTED
EC1BE-090316-07	E	09'/03/16	E1~E4: 增擴尺寸及重點管控.	劉偉	楊宗憲	Angle 30 ~ ±2° ±0.50
EC1BE-081021-04	D	08'/10/21	D1: 新增共面度標註同時并更換新圖框.	楊庭朋	鄭家奇	10 ~ 30 ±0.30
ECIT-031208-01	C	03'/12/18	C1: 1.45±0.15 → 1.45±0.20 C2: 2.00±0.15 → 2.00±0.20 C3: 修正圖	任陽春	宋權哲	~ 10 ±0.15



Level-1 Controlled Substances are banned

收料方向 GATHER MATERIAL DIRECTION
 客戶放料方向 INPUT MATERIAL DIRECTION



PART NUMBER(NEW)	PART NUMBER(OLD)	Q'TY PER REEL
010162FB003S200ZL	RC62-03XX	1100Pcs

NOTE: ALL DIMENSIONS TOLERANCE ARE:
 1. ±0.25mm UNLESS OTHERWISE NOTED.
 2. COMPONENT LOAD BY 13" REEL.

3				
2	PRODUCT			010162FB003S200ZL
1	REEL	PS	BLACK	IPR0029-003-00
	NO. DESCRIPTION	MATERIAL	COLOR	REMARK



CUSTOMER COPY	TITLE: Ø2.50mm EARPHONE JACK			
PART NO.	010162FB003S200ZL (2/8)			
PRODUCT SPEC.	010162FB/RC62			
FILE NAME.	DING	010162FB003S200ZL-C		
SCALE	8:1	UNIT:mm	A4	SHEET: 2 of 2

EC1BE-090316-07	E	09'/03/16	E1~E4: 增標尺寸及重點管控.	劉偉	楊宗憲	30 ~	±0.50
EC1BE-081021-04	D	08'/10/21	D1: 新增共面度標註同時并更換新圖框.	楊庭朋	鄭家奇	10 ~ 30	±0.30
ECIT-031208-01	C	03/12/18	C1: 1.45±0.20 → 1.45±0.20 C2: 2.00±0.20 → 2.00±0.20 C3: 修正圖	任陽春	宋權哲	~ 10	±0.15
ECN(DCN) NO.	REV	DATE	DESCRIPTION	CHANGE	APPRO.	GENERAL TOLERANCE UNLESS OTHERWISE NOTED	
					楊宗憲	09'/02/27	