

PCB, Screw or Rivet, 5 x 20 mm, IP 00 / IP 20



250 VAC · 4 W / 10 A (VDE) · 10 A (UL/CSA)



Description

- low profile fuse block with insulation walls
- Screw or rivet fastening

Standards

- IEC 60127-6
- UL 512
- CSA C22.2 no. 39

Approvals

- VDE License Number: 40001042
- UL File Number: E39328

Applications

- Industrial electronic
- Household appliances

References

- [General Product Information](#)
- [Accessories](#)

Weblinks

- Approvals: <http://www.schurter.com/approvals>
- RoHS: <http://www.schurter.com/rohs>

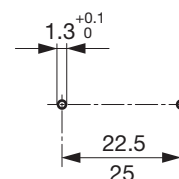
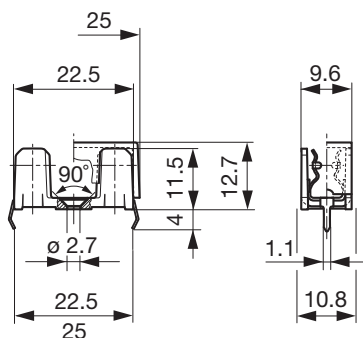
Technical Data

Fuse-Link	5 x 20 mm
Mounting	PCB
Fastening	Screw or Rivet
Terminal	Solder THT
Rated Voltage	250 VAC
Rated Current	10 A (VDE) , 10 A (UL/CSA)
Rated Power Acceptance IEC	4 W / 10 A @ Ta 23 °C 2.5 W / 10 A with transparent cover, see derating curves
Degree of Protection	IP 00 / IP 20
Protection Class	Suitable for appliances with protection class I or II acc. to IEC 61140
Admissible Ambient Air Temp.	-40 °C to 85 °C
Climatic Category	40/085/21 acc. to IEC 60068-1
Material: Socket	Thermoplastic, black, UL 94V-0
Material: Terminals	Tin-Plated Copper Alloy
Unit Weight (Socket/Cap)	1.7 g
Storage Conditions	0 °C to 60 °C, max. 70% r.h.
Product Marking	Type, Voltage Rating, Power Acc./Current Ratings, Approvals

Soldering Methods	Wave
Solderability	235 °C / 2 sec acc. to IEC 60068-2-20, Test Ta, method 1
Resistance to Soldering Heat	260 °C / 10 sec acc. to IEC 60068-2-20, Test Tb, method 1A
Contact Resistance	< 5 mΩ at 20 mV
Dielectric Strength	> 3 kV between L-N (50 Hz; 1 min)
Impulse Withstand Voltage	> 4 kV between L-N
Insulation Resistance	> 10 MΩ between L-N (500 VDC; 1 min)
Overvoltage Category	I - III acc. to IEC 60664-1
Pollution Degree	1 - 3 acc. to IEC 60664-1
Resistance to Vibration	acc. to IEC 60068-2-6, test Fc

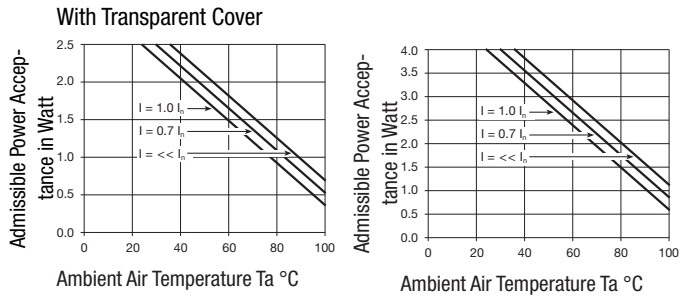
Dimensions

Length 22.5 mm



Drilling Diagram

Derating Curves



Variants

Order Number	Holder	Pin distance	Accessories
0031.8201	●	22.5	
0031.8211	●	25	
0853.0551			Transparent Cover
0853.0571			Reflow-Cover
0853.0576			Reflow-Cover with Clamp

Packaging Unit Bulk 128 x 91 x 60 mm (100 pcs.)