

## Conventional Crystal Filter

### ■ Features

This filter has a wide range of applications from carrier equipment to measuring instruments that require particularly high stability and high reliability. Careful consideration to design, part selection, and manufacturing, all ensure a highly stable and reliable filter.

SSB (Single Side Band) filters are widely used in such fields as marine communication and amateur radio communication.

- Stable temperature characteristics.
- Low insertion loss.
- Excellent ripple characteristics.



D-104



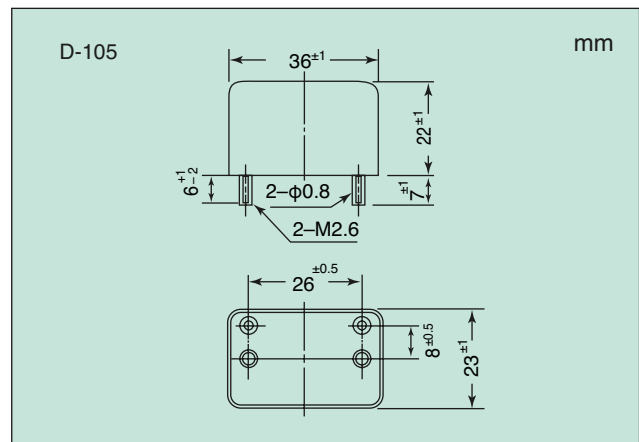
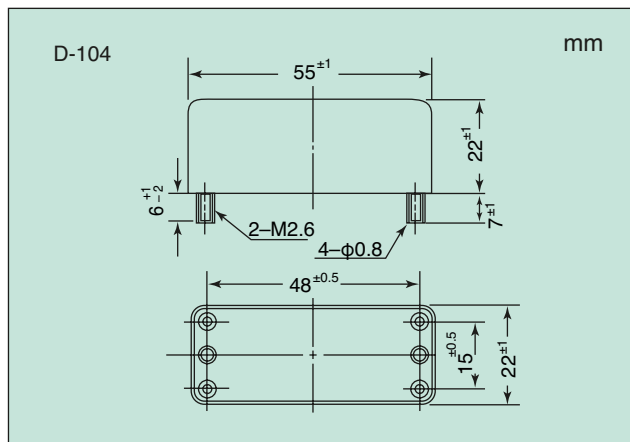
D-105

**RoHS Compliant**  
Directive 2002/95/EC

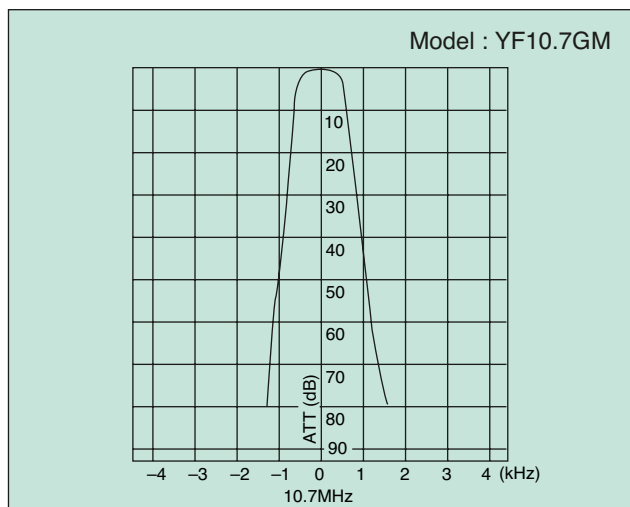
### ■ Specifications

| Model    | Nominal frequency (kHz) | Passband width |             | Stop bandwidth |             |      |           | Ripple (dB) | Insertion loss (insertion attenuation) (dB) | Terminating impedance ( $\Omega$ //pF) | Operating temperature range ( $^{\circ}$ C) | Package type |
|----------|-------------------------|----------------|-------------|----------------|-------------|------|-----------|-------------|---|--|---|--------------|
|          |                         | (dB)           | (kHz)       | (dB)           | (kHz)       | (dB) | (kHz)     |             |   |  |   |              |
| YF10.0BP | 10000                   | 3              | $\pm 1k$    | 60             | $\pm 3k$    | -    | -         | 2           | 6   | 50//0                                  | -20 to +60                                  | D-105        |
| YF10.7GM | 10700                   | 3              | $\pm 0.375$ | 3              | $\pm 0.625$ | 60   | $\pm 1.3$ | 0.5         | 8   | 75//0                                  | -10 to +60                                  | D-104        |
| YF10.7GL | 10700                   | 3              | $\pm 1.125$ | 3              | $\pm 1.875$ | 60   | $\pm 3$   | 0.5         | 6   | 75//0                                  | -10 to +60                                  | D-104        |
| YF10.7SH | 10700                   | 6              | $\pm 1.2$   | 60             | $\pm 2.4$   | -    | -         | 2           | 6   | 1k//33                                 | -10 to +50                                  | D-105        |

### ■ Dimensions



### ■ Characteristics



### ■ List of Codes for Placing an Order

| Model    | Code for placing an order |
|----------|---------------------------|
| YF10.0BP | YF10.0BP-10000k-FN15-461  |
| YF10.7GM | YF10.7GM-10700k-FN15-793  |
| YF10.7GL | YF10.7GL-10700k-FN15-846  |
| YF10.7SH | YF10.7SH-10700k-FN15-129  |