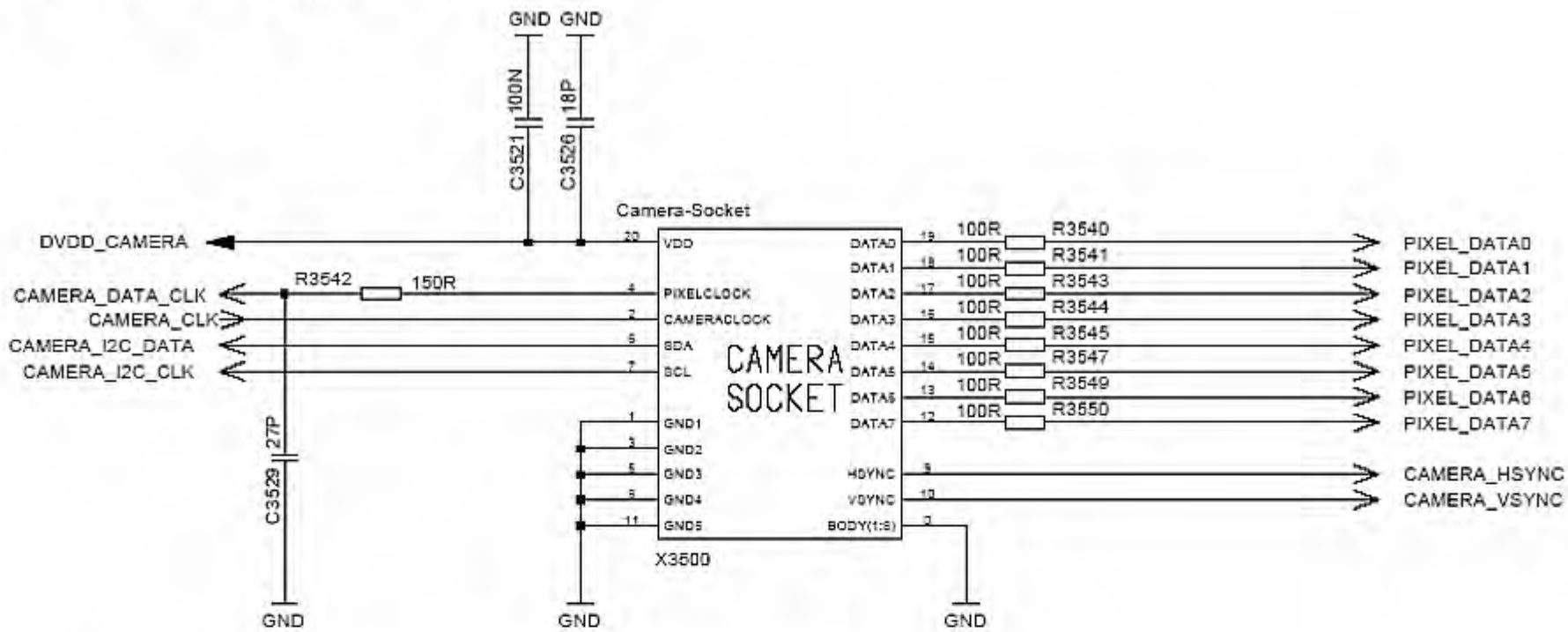


11.4 Camera (X3500)



Pin	Name	Remarks
1	GND	Ground
2	CAMERA_CLK	Camera clock signal
3	GND	Ground
4	CAMERA_DATA_CLK	Camera data line
5	GND	Ground
6	CAMERA_I2C_DATA	I2C bus data line
7	CAMERA_I2C_CLK	I2C bus clock signal
8	GND	Ground
9	CAMERA_HSYCN	Horizontal synchronisation line
10	CAMERA_VSYCN	Vertical synchronisation line
11	GND	Ground
12	PIXEL_DATA7	Pixel data line
13	PIXEL_DATA6	Pixel data line
14	PIXEL_DATA5	Pixel data line
15	PIXEL_DATA4	Pixel data line
16	PIXEL_DATA3	Pixel data line
17	PIXEL_DATA2	Pixel data line
18	PIXEL_DATA1	Pixel data line
19	PIXEL_DATA0	Pixel data line
20	DVDD_CAMERA	Voltage supply for camera