



DATA SHEET

BIPOLAR ANALOG INTEGRATED CIRCUIT

μ PC667

10-BIT D/A CONVERTER

The μ PC667 is high-speed and high-precision 10-bit D/A converter.

Clock rate of the μ PC667 is 60 Msps. Conversion precision of the μ PC667 is ± 1.0 LSB.

FEATURES

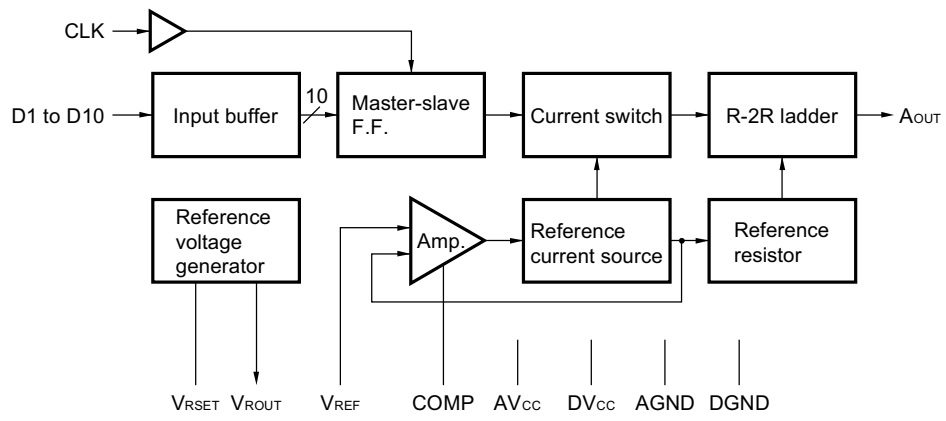
- Resolution 10-bit
- Clock rate 60 Msps
- Technology Bi-CMOS
- Power supply +5 V
- D/A conversion method R-2R ladder resistance and segment summing system
- Analog output form Voltage output type
- Built-in reference voltage generating circuit

ORDERING INFORMATION

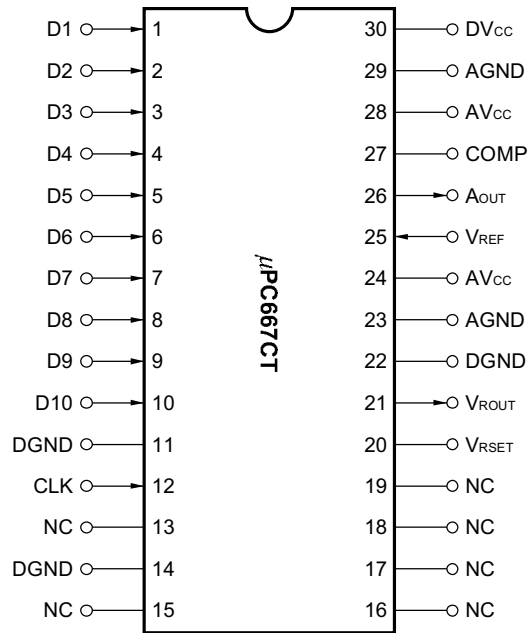
Part Number	Package
μ PC667CT	30-pin plastic shrink DIP (400 mil)

The information in this document is subject to change without notice.

BLOCK DIAGRAM



PIN CONFIGURATION (Top View)



- AGND : Ground for Analog Circuit
- AOUT : Analog Output
- AVcc : Power Supply for Analog Circuit
- CLK : Clock
- COMP : Phase Compensation
- D1 to D10: Digital Signal
- DGND : Ground for Digital Circuit
- DVcc : Power Supply for Digital Circuit
- NC : No Connection
- VREF : Reference Voltage
- VROUT : Reference Voltage Output
- VRSET : Reference Voltage Adjustment

PIN FUNCTIONS

Pin Name	Pin No.	Input/Output	Function	Equivalent Circuit
D1 to D10	1 to 10	Input	Digital signal D1 is MSB, D10 is LSB.	
CLK	12	Input	Clock The rising edge of signal input to this pin triggers analog output.	
DVcc	30	—	Power supply for digital circuit	
DGND	11, 14, 22	—	Ground for digital circuit	
V _{RSET}	20	—	Reference voltage adjustment Voltage adjusting pin for the incorporated reference voltage generating circuit. The output voltage of V _{ROUT} pin varies according to the voltage applied to this pin. When no adjustment is necessary, connect approx. 0.1 μF capacitance between this pin and GND pin.	
V _{ROUT}	21	Output	Reference voltage output Voltage output pin of the incorporated reference voltage generating circuit. This pin has high output impedance, and must be connected with a high impedance element.	

Pin Name	Pin No.	Input/Output	Function	Equivalent Circuit
V _{REF}	25	Input	Reference voltage The output full-scale range is set according to the voltage applied to this pin. Apply standard 4.0 V. When no adjustment is necessary, connect the output from V _{ROUT} pin directly to this pin.	
A _{OUT}	26	Output	Analog signal Analog signal output pin.	
COMP	27	—	Phase compensation Phase compensating capacitor connection pin for full-scale amplifier. Approx. 0.1 μF capacitor must be connected between this pin and AV _{cc} pin.	
AV _{cc}	24, 28	—	Power supply for analog circuit	
AGND	23, 29	—	Ground for analog circuit	
NC	13, 15 to 19	—	No Connection	

ELECTRICAL SPECIFICATIONS

Absolute Maximum Ratings (T_A = 25 °C)

Parameter	Symbol	Ratings	Unit
Supply voltage for digital circuit	DV _{CC}	-0.3 to +6.0	V
Input voltage	V _I	-0.3 to V _{CC} +0.3	V
Operating ambient temperature	T _A	-20 to +70	°C
Storage temperature	T _{stg}	-40 to +125	°C
Power dissipation	P _D	0.8 (T _A = +60 °C)	W
Supply voltage for analog circuit	AV _{CC}	DV _{CC} -0.3 to DV _{CC} +0.3	V

★ **Caution Exposure to Absolute Maximum Rating for extended periods may affect device reliability; exceeding the ratings could cause permanent damage. The parameters apply independently.**

Recommended Operating Conditions

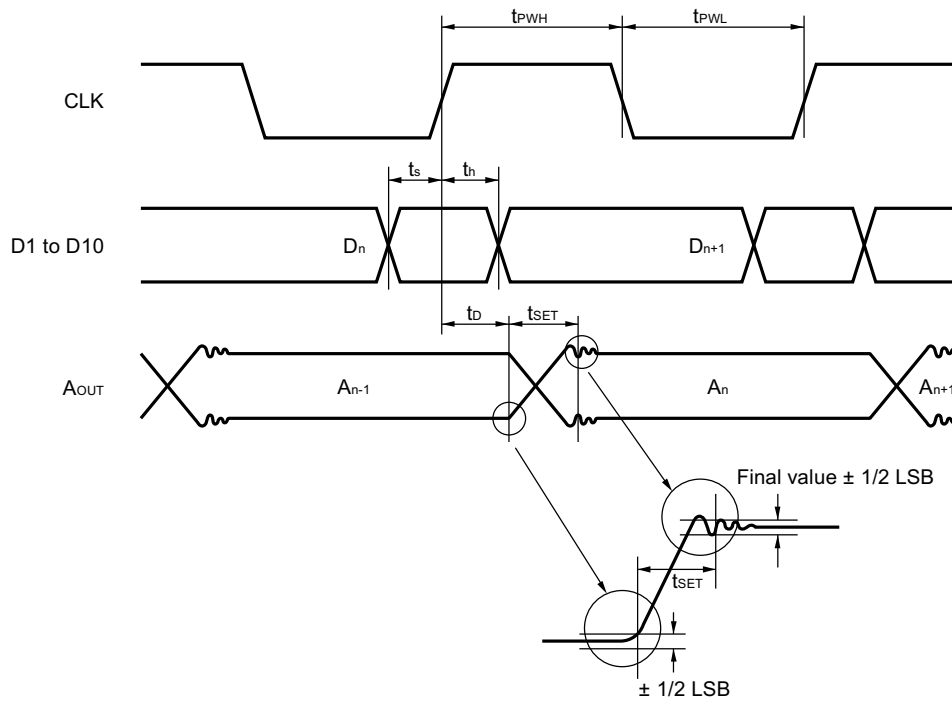
Parameter	Symbol	Conditions	MIN.	TYP.	MAX.	Unit
Supply voltage for digital circuit	DV _{CC}		4.75	5.0	5.25	V
Supply voltage for analog circuit	AV _{CC}		4.75	5.0	5.25	V
Reference voltage input pin voltage	V _{REF}		3.8	4.0	4.2	V
High-level voltage of digital input	V _{IH}		2.0			V
Low-level voltage of digital input	V _{IL}				0.8	V
Conversion clock frequency	f _{CLK}				60	MHz
Phase compensation capacitance	C _{COMP}			1.0		μF

DC Characteristics and AC Characteristics (T_A = -10 to +70 °C, DV_{CC} = AV_{CC} = +5 ±0.25 V)

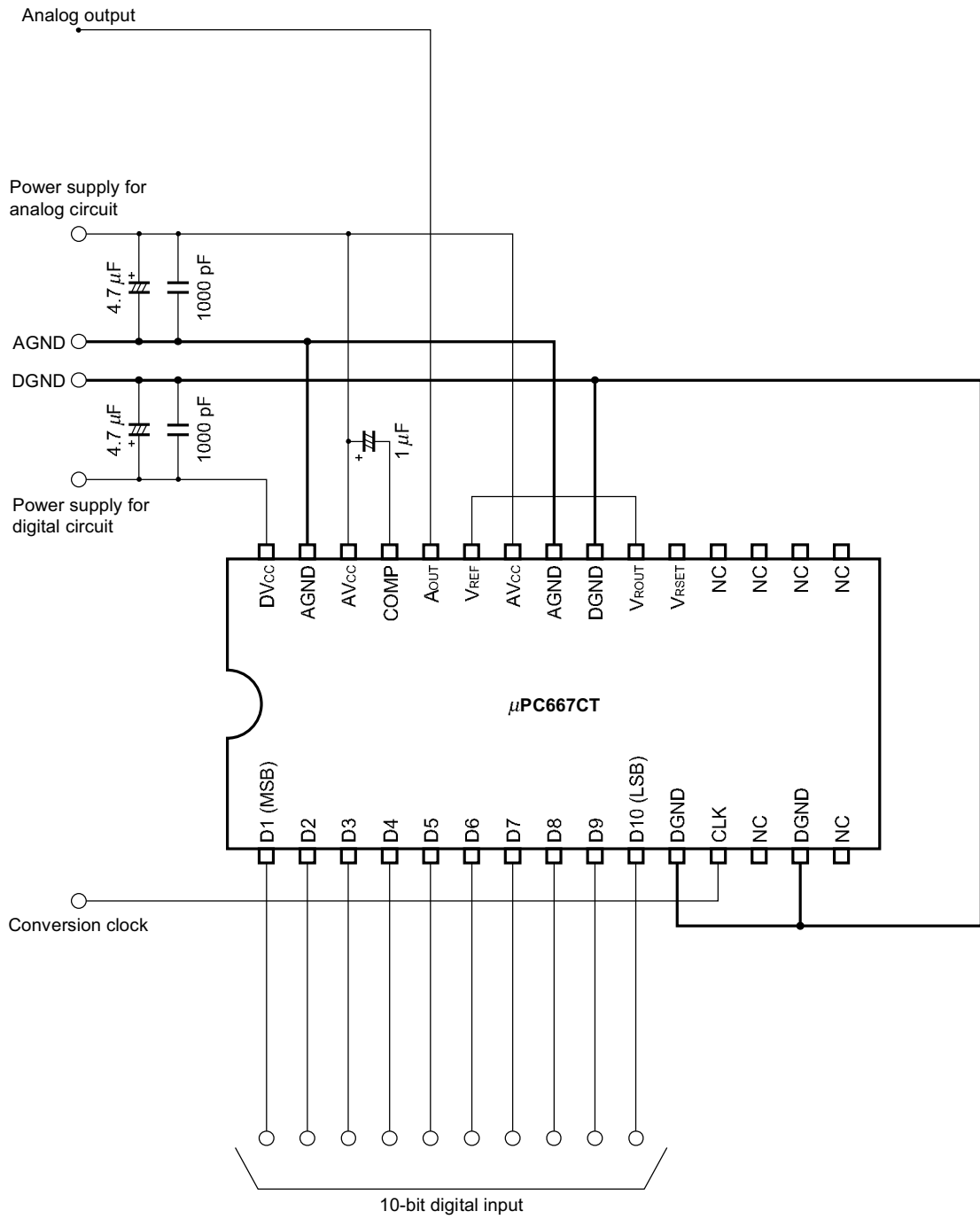
Parameter	Symbol	Conditions	MIN.	TYP.	MAX.	Unit
Resolution	RSL			10		Bit
Integral linearity error	ILE	T _A = 0 to 60 °C, V _{REF} = 4.0 V	-1.0		+1.0	LSB
Differential linearity error	DLE	T _A = 0 to 60 °C, V _{REF} = 4.0 V	-1.0		+1.0	LSB
Supply current	I _{CC}			50	71	mA
Set-up time	t _s			3	7	ns
Hold time	t _h			1.5	7	ns
Settling time	t _{SET}	T _A = 25 °C, R _L = 375 Ω, V _{REF} = 4.0 V		13		ns
Output delay time	t _d	V _{REF} = 4.0 V		9	13	ns
Full-scale voltage output	V _{ofs}	V _{REF} = 4.0 V, R _L > 100 kΩ	4.95		5.0	V
Zero-scale voltage output	V _{ozs}	V _{REF} = 4.0 V, R _L > 100 kΩ	3.95	4	4.05	V
Output resistance	Z _{out}	V _{REF} = 4.0 V	70	85	100	Ω
Internal reference voltage output voltage	V _{ROUT}	AV _{CC} = 5.0 V	3.8	4.0	4.2	V

- Cautions**
1. As for the phase compensation capacitance, capacitor of 1 μF should be connected between the phase compensation capacitance pin (COMP) and the power supply pin for analog circuit (AV_{CC}).
 2. The internal reference voltage output pin (V_{ROUT}) and the reference voltage input pin (V_{REF}) should be shorted.
 3. The power supply and GND lines for analog circuit (AV_{CC} and AGND) and those for digital circuit (DV_{CC} and DGND) should be located as separately as possible.

★ Timing Chart

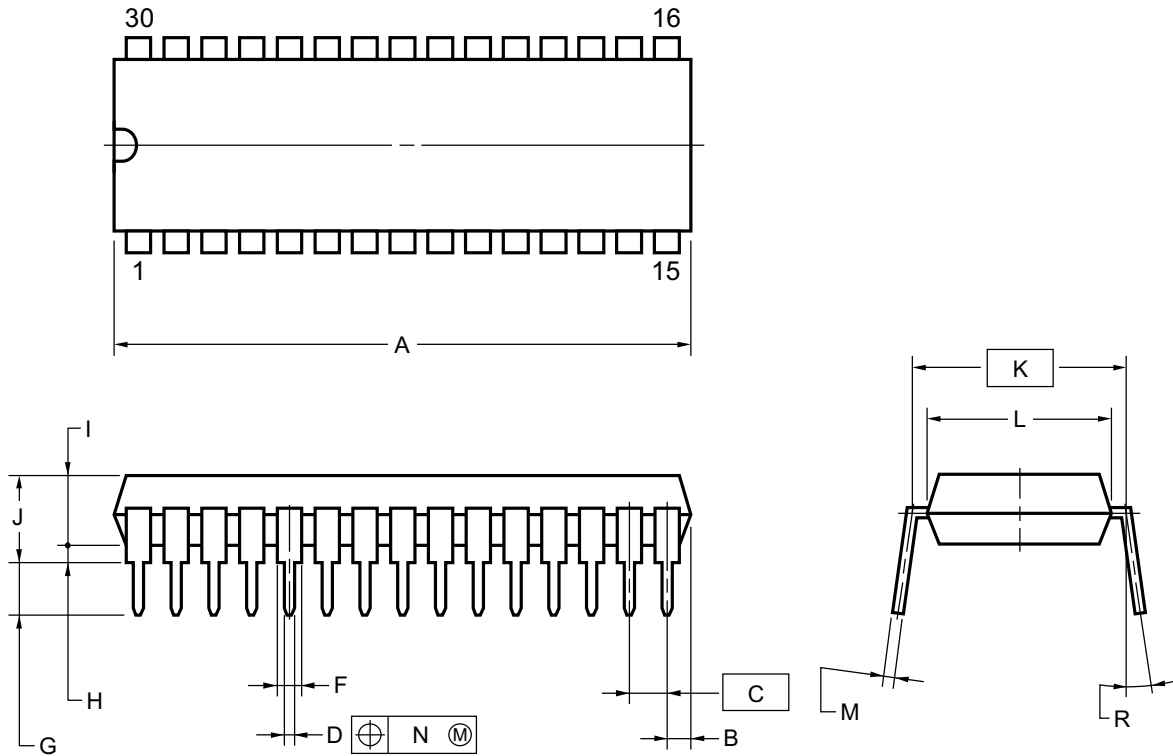


APPLICATION CIRCUIT EXAMPLE



PACKAGE DRAWING

30PIN PLASTIC SHRINK DIP (400 mil)



NOTES

- 1) Each lead centerline is located within 0.17 mm (0.007 inch) of its true position (T.P.) at maximum material condition.
- 2) Item "K" to center of leads when formed parallel.

ITEM	MILLIMETERS	INCHES
A	28.46 MAX.	1.121 MAX.
B	1.78 MAX.	0.070 MAX.
C	1.778 (T.P.)	0.070 (T.P.)
D	0.50±0.10	0.020 ^{+0.004} _{-0.005}
F	0.85 MIN.	0.033 MIN.
G	3.2±0.3	0.126±0.012
H	0.51 MIN.	0.020 MIN.
I	4.31 MAX.	0.170 MAX.
J	5.08 MAX.	0.200 MAX.
K	10.16 (T.P.)	0.400 (T.P.)
L	8.6	0.339
M	0.25 ^{+0.10} _{-0.05}	0.010 ^{+0.004} _{-0.003}
N	0.17	0.007
R	0~15°	0~15°

S30C-70-400B-1

RECOMMENDED SOLDERING CONDITIONS

When soldering this product, it is highly recommended to observe the conditions as shown below. If other soldering processes are used, or if the soldering is performed under different conditions, please make sure to consult with our sales offices.

For more details, refer to our document “**SEMICONDUCTOR DEVICE MOUNTING TECHNOLOGY MANUAL (IEI-1207)**”.

Through-hole device

μPC667CT: 30-pin plastic Shrink DIP (400 mil)

Process	Conditions
Wave soldering (only to leads)	Solder temperature: 260 °C or below, Flow time: 10 seconds or less.
Partial heating method	Terminal temperature: 300 °C or below, Heat time: 3 seconds or less (Per each lead).

★

Caution For through-hole devices, the wave soldering process must be applied only to leads, and make sure that the package body does not get jet soldered.

[MEMO]

The application circuits and their parameters are for references only and are not intended for use in actual design-in's.

No part of this document may be copied or reproduced in any form or by any means without the prior written consent of NEC Corporation. NEC Corporation assumes no responsibility for any errors which may appear in this document.

NEC Corporation does not assume any liability for infringement of patents, copyrights or other intellectual property rights of third parties by or arising from use of a device described herein or any other liability arising from use of such device. No license, either express, implied or otherwise, is granted under any patents, copyrights or other intellectual property rights of NEC Corporation or others.

While NEC Corporation has been making continuous effort to enhance the reliability of its semiconductor devices, the possibility of defects cannot be eliminated entirely. To minimize risks of damage or injury to persons or property arising from a defect in an NEC semiconductor device, customer must incorporate sufficient safety measures in its design, such as redundancy, fire-containment, and anti-failure features.

NEC devices are classified into the following three quality grades:

“Standard”, “Special”, and “Specific”. The Specific quality grade applies only to devices developed based on a customer designated “quality assurance program” for a specific application. The recommended applications of a device depend on its quality grade, as indicated below. Customers must check the quality grade of each device before using it in a particular application.

Standard: Computers, office equipment, communications equipment, test and measurement equipment, audio and visual equipment, home electronic appliances, machine tools, personal electronic equipment and industrial robots

Special: Transportation equipment (automobiles, trains, ships, etc.), traffic control systems, anti-disaster systems, anti-crime systems, safety equipment and medical equipment (not specifically designed for life support)

Specific: Aircrafts, aerospace equipment, submersible repeaters, nuclear reactor control systems, life support systems or medical equipment for life support, etc.

The quality grade of NEC devices in “Standard” unless otherwise specified in NEC's Data Sheets or Data Books. If customers intend to use NEC devices for applications other than those specified for Standard quality grade, they should contact NEC Sales Representative in advance.

Anti-radioactive design is not implemented in this product.