

## 5 V, SUPER MINIMOLD SILICON MMIC WIDEBAND AMPLIFIER

### DESCRIPTION

The  $\mu$ PC3215TB is a silicon monolithic IC designed as wideband amplifier. The  $\mu$ PC3215TB is suitable to systems required wideband operation from HF to L band.

This IC is manufactured using NEC's 30 GHz  $f_{max}$  UHS0 (Ultra High Speed Process) silicon bipolar process.

The package is 6-pin super minimold suitable for surface mount.

### FEATURES

- Wideband response :  $f_u = 2.9$  GHz TYP. @3 dB bandwidth
- Noise figure : NF = 2.3 dB TYP. @f = 1.5 GHz
- Power gain :  $G_P = 20.5$  dB TYP. @f = 1.5 GHz
- Supply voltage :  $V_{CC} = 4.5$  to 5.5 V
- High-density surface mounting: 6-pin super minimold package

### APPLICATION

- Systems required wideband operation from HF to L band

### ORDERING INFORMATION

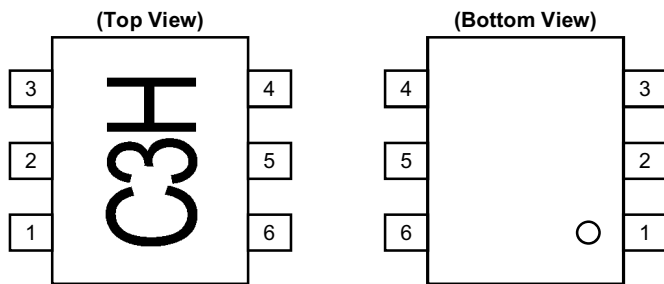
Part Number	Package	Marking	Supplying Form
$\mu$ PC3215TB-E3	6-pin super minimold	C3H	Embossed tape 8 mm wide. 1, 2, 3 pins face the perforation side of the tape. Qty 3 kpcs/reel.

**Remark** To order evaluation samples, please contact your local NEC sales office. (Part number for sample order:  $\mu$ PC3215TB)

**Caution Electro-static sensitive devices**

The information in this document is subject to change without notice. Before using this document, please confirm that this is the latest version.  
Not all devices/types available in every country. Please check with local NEC representative for availability and additional information.

**PIN CONNECTIONS**



Pin No.	Pin Name
1	INPUT
2	GND
3	GND
4	OUTPUT
5	GND
6	V <sub>cc</sub>

**PRODUCT LINE-UP OF 5V-BIAS SILICON MMIC WIDEBAND AMPLIFIERS**

(T<sub>A</sub> = +25 °C, V<sub>cc</sub> = 5.0 V, Z<sub>s</sub> = Z<sub>L</sub> = 50 Ω)

Part No.	f <sub>u</sub> (GHz)	P <sub>O (sat)</sub> (dBm)	G <sub>P</sub> (dB)	NF (dB)	I <sub>cc</sub> (mA)	Package	Marking
μPC2711T	2.9	+1.0	13	5.0 @f = 1 GHz	12	6-pin minimold	C1G
μPC2711TB						6-pin super minimold	
μPC2712T	2.6	+3.0	20	4.5 @f = 1 GHz	12	6-pin minimold	C1H
μPC2712TB						6-pin super minimold	
μPC3210TB	2.3	+3.5	20	3.4 @f = 1.5 GHz	15	6-pin super minimold	C2X
μPC3215TB	2.9	+3.5	20.5	2.3 @f = 1.5 GHz	14	6-pin super minimold	C3H

**Remark** Typical performance. Please refer to ELECTRICAL CHARACTERISTICS in detail.

**Caution** The package size distinguishes between minimold and super minimold.

PIN EXPLANATION

Pin No.	Pin Name	Applied Voltage (V)	Pin Voltage (V) <sup>Note</sup>	Function and Applications	Internal Equivalent Circuit
1	INPUT	—	0.82	Signal input pin. A internal matching circuit, configured with resistors, enables 50 Ω connection over a wideband. A multi-feedback circuit is designed to cancel the deviations of h <sub>FE</sub> and resistance. This pin must be coupled to signal source with capacitor for DC cut.	
2 3 5	GND	0	—	Ground pin. This pin should be connected to system ground with minimum inductance. Ground pattern on the board should be formed as wide as possible. All the ground pins must be connected together with wide ground pattern to decrease impedance difference.	
4	OUTPUT	—	3.8	Signal output pin. A internal matching circuit, configured with resistors, enables 50 Ω connection over a wideband. This pin must be coupled to next stage with capacitor for DC cut.	
6	V <sub>CC</sub>	4.5 to 5.5	—	Power supply pin. This pin should be externally equipped with bypass capacitor to minimize ground impedance.	

**Note** Pin voltage is measured at V<sub>CC</sub> = 5.0 V

**ABSOLUTE MAXIMUM RATINGS**

Parameter	Symbol	Conditions	Ratings	Unit
Supply Voltage	V <sub>CC</sub>	T <sub>A</sub> = +25 °C	6.0	V
Circuit Current	I <sub>CC</sub>	T <sub>A</sub> = +25 °C	30	mA
Input Power	P <sub>in</sub>	T <sub>A</sub> = +25 °C	+10	dBm
Power Dissipation	P <sub>D</sub>	T <sub>A</sub> = +85 °C <sup>Note</sup>	200	mW
Operating Ambient Temperature	T <sub>A</sub>		-40 to +85	°C
Storage Temperature	T <sub>stg</sub>		-55 to +150	°C

**Note** Mounted on 50 × 50 × 1.6-mm epoxy glass PWB, with copper patterning on both sides.

**RECOMMENDED OPERATING CONDITIONS**

Parameter	Symbol	MIN.	TYP.	MAX.	Unit
Supply Voltage	V <sub>CC</sub>	4.5	5.0	5.5	V
Operating Ambient Temperature	T <sub>A</sub>	-40	+25	+85	°C
Input Power	P <sub>in</sub>	-	-	0	dBm
Input Frequency	F <sub>in</sub>	0.1	-	2.9	GHz

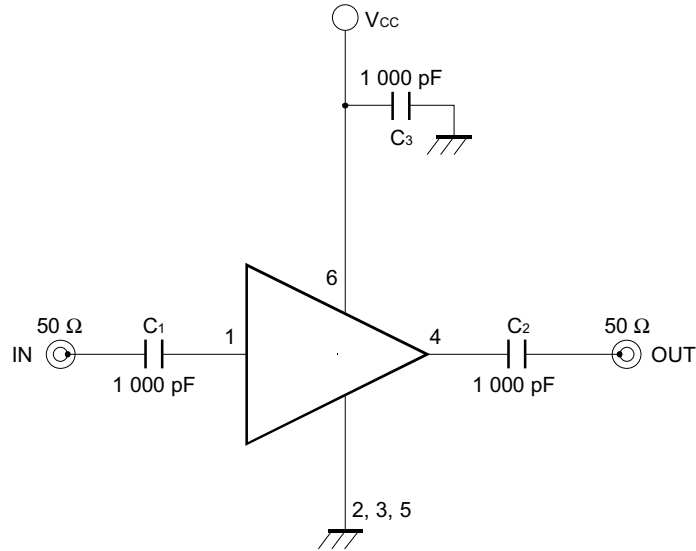
**ELECTRICAL CHARACTERISTICS (T<sub>A</sub> = +25°C, V<sub>CC</sub> = 5.0 V, Z<sub>s</sub> = Z<sub>L</sub> = 50 Ω)**

Parameter	Symbol	Test Conditions	MIN.	TYP.	MAX.	Unit
Circuit Current	I <sub>CC</sub>	No input signals	10.5	14.0	17.5	mA
Power Gain	G <sub>P</sub>	f = 1.5 GHz, P <sub>in</sub> = -30 dBm	18.5	20.5	-	dB
Noise Figure	NF	f = 1.5 GHz	-	2.3	3.0	dB
Upper Limit Operating Frequency	f <sub>u</sub>	3 dB down below from gain at f = 0.1 GHz	2.5	2.9	-	GHz
Isolation	ISL	f = 1.5 GHz, P <sub>in</sub> = -30 dBm	39	44	-	dB
Input Return Loss	RL <sub>in</sub>	f = 1.5 GHz, P <sub>in</sub> = -30 dBm	10	15	-	dB
Output Return Loss	RL <sub>out</sub>	f = 1.5 GHz, P <sub>in</sub> = -30 dBm	6.5	9.5	-	dB
1 dB Compression Point	P-1		-4	-1.5	-	dBm

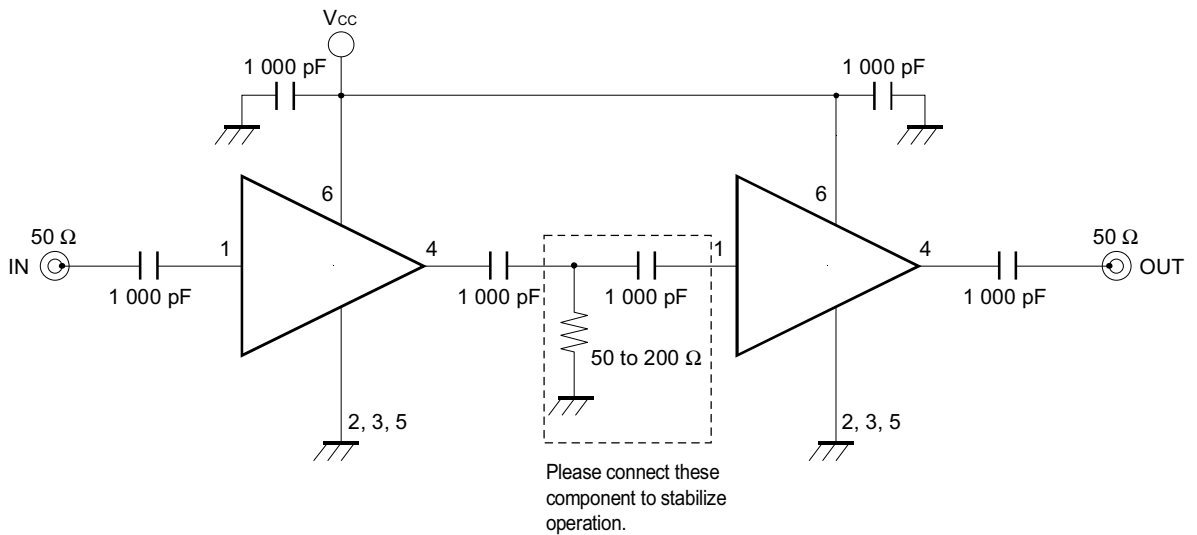
**STANDARD CHARACTERISTICS (T<sub>A</sub> = +25°C, V<sub>CC</sub> = 5.0 V, Z<sub>s</sub> = Z<sub>L</sub> = 50 Ω)**

Parameter	Symbol	Test Conditions	Reference Values	Unit
Saturated Output Power	P <sub>O(sat)</sub>	P <sub>in</sub> = 0 dBm	+3.5	dBm
Output Intercept Point	OIP <sub>3</sub>	f <sub>1</sub> = 1.5 GHz, f <sub>2</sub> = 1.501 GHz	+10	dBm
Gain Flatness	ΔG <sub>P</sub>	f = 0.1 to 2.15 GHz	1.0	dB

TEST CIRCUIT



EXAMPLE OF APPLICATION CIRCUIT



The application circuits and their parameters are for reference only and are not intended for use in actual design-ins.

Capacitors for Vcc, input and output pins

1 000 pF capacitors are recommendable as bypass capacitor for Vcc pin and coupling capacitors for input/output pins.

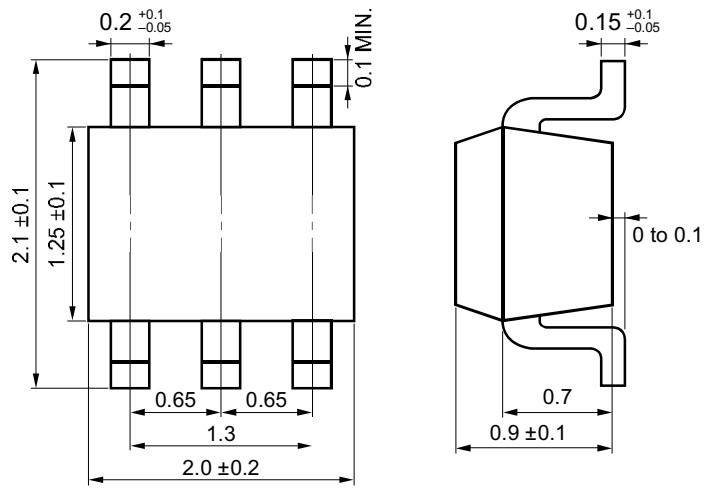
Bypass capacitor for Vcc pin is intended to minimize Vcc pin's ground impedance. Therefore, stable bias can be supplied against Vcc fluctuation.

Coupling capacitors for input/output pins are intended to minimize RF serial impedance and cut DC.

To get flat gain from 100 MHz up, 1 000 pF capacitors are assembled on the test circuit. [Actually, 1 000 pF capacitors give flat gain at least 10 MHz. In the case of under 10 MHz operation, increase the value of coupling capacitor such as 2 200 pF. Because the coupling capacitors are determined by the equation of  $C = 1/(2 \pi fZ_s)$ .]

PACKAGE DIMENSIONS

6 PIN SUPER MINIMOLD (UNIT: mm)



**NOTES ON CORRECT USE**

- (1) Observe precautions for handling because of electro-static sensitive devices.
- (2) Form a ground pattern as widely as possible to minimize ground impedance (to prevent undesired oscillation).
- (3) Keep the track length of the ground pins as short as possible.
- (4) A low pass filter must be attached to V<sub>cc</sub> line.

**RECOMMENDED SOLDERING CONDITIONS**

This product should be soldered under the following recommended conditions. For soldering methods and conditions other than those recommended below, contact your NEC sales representative.

Soldering Method	Soldering Conditions	Recommended Condition Symbol
Infrared Reflow	Package peak temperature: 235 °C or below Time: 30 seconds or less (at 210 °C) Count: 3, Exposure limit: None <sup>Note</sup>	IR35-00-3
VPS	Package peak temperature: 215 °C or below Time: 40 seconds or less (at 200 °C) Count: 3, Exposure limit: None <sup>Note</sup>	VP15-00-3
Wave Soldering	Soldering bath temperature: 260 °C or below Time: 10 seconds or less Count: 1, Exposure limit: None <sup>Note</sup>	WS60-00-1
Partial Heating	Pin temperature: 300 °C Time: 3 seconds or less (per side of device) Exposure limit: None <sup>Note</sup>	—

**Note** After opening the dry pack, keep it in a place below 25 °C and 65 % RH for the allowable storage period.

**Caution** Do not use different soldering methods together (except for partial heating).

For details of recommended soldering conditions for surface mounting, refer to information document SEMICONDUCTOR DEVICE MOUNTING TECHNOLOGY MANUAL (C10535E).

- **The information in this document is subject to change without notice. Before using this document, please confirm that this is the latest version.**
  - No part of this document may be copied or reproduced in any form or by any means without the prior written consent of NEC Corporation. NEC Corporation assumes no responsibility for any errors which may appear in this document.
  - NEC Corporation does not assume any liability for infringement of patents, copyrights or other intellectual property rights of third parties by or arising from use of a device described herein or any other liability arising from use of such device. No license, either express, implied or otherwise, is granted under any patents, copyrights or other intellectual property rights of NEC Corporation or others.
  - Descriptions of circuits, software, and other related information in this document are provided for illustrative purposes in semiconductor product operation and application examples. The incorporation of these circuits, software, and information in the design of the customer's equipment shall be done under the full responsibility of the customer. NEC Corporation assumes no responsibility for any losses incurred by the customer or third parties arising from the use of these circuits, software, and information.
  - While NEC Corporation has been making continuous effort to enhance the reliability of its semiconductor devices, the possibility of defects cannot be eliminated entirely. To minimize risks of damage or injury to persons or property arising from a defect in an NEC semiconductor device, customers must incorporate sufficient safety measures in its design, such as redundancy, fire-containment, and anti-failure features.
  - NEC devices are classified into the following three quality grades:  
"Standard", "Special", and "Specific". The Specific quality grade applies only to devices developed based on a customer designated "quality assurance program" for a specific application. The recommended applications of a device depend on its quality grade, as indicated below. Customers must check the quality grade of each device before using it in a particular application.
    - Standard: Computers, office equipment, communications equipment, test and measurement equipment, audio and visual equipment, home electronic appliances, machine tools, personal electronic equipment and industrial robots
    - Special: Transportation equipment (automobiles, trains, ships, etc.), traffic control systems, anti-disaster systems, anti-crime systems, safety equipment and medical equipment (not specifically designed for life support)
    - Specific: Aircraft, aerospace equipment, submersible repeaters, nuclear reactor control systems, life support systems or medical equipment for life support, etc.
- The quality grade of NEC devices is "Standard" unless otherwise specified in NEC's Data Sheets or Data Books. If customers intend to use NEC devices for applications other than those specified for Standard quality grade, they should contact an NEC sales representative in advance.