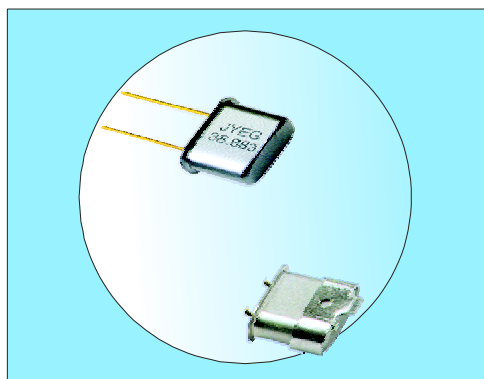


# Quartz Crystals

## Quartz Crystal Unit /UM-5, UM-5/SMD – CLIP



### Features

- JYEG Part number: JYM5,JYM5D
- TAPE & Reel,insulator tab, 3rd lead
- Custom lead length options available
- Tight tolerance/stability

### TYPICAL SPECIFICATIONS

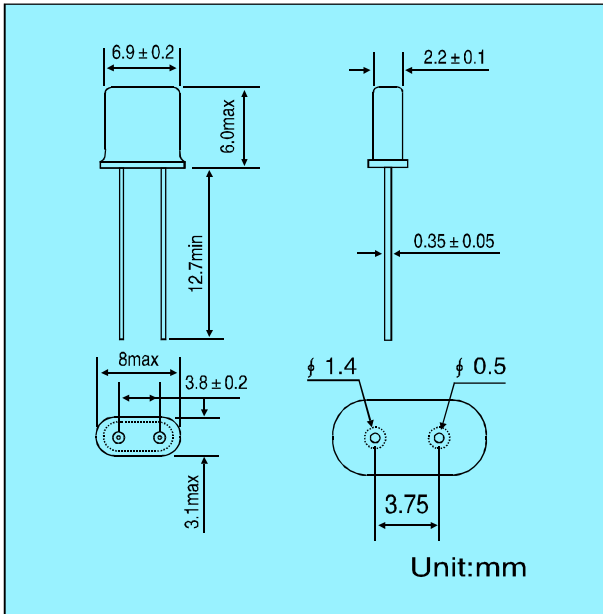
Type	UM-5		UM-5/SMD-CLIP	
	Frequency Range	10~45MHZ	30~100MHZ	80~155MHZ
Mode of Vibration	ATFundamental	3th Overtone	5th Overtone	7th Overtone
Resonance Resistance( $\Omega$ )	60Max	60Max	80Max	120Max
Frequency Tolerance at 25°C	$\pm 5\text{ppm} \sim \pm 50\text{ppm}$			
Shunt Capacitance	7pF Max			
Frequency Stability Over Temperature Range	See table			
Load Capacitance	6~50pF or Series			
Insulation Resistance	$> 500\text{M}\Omega/\text{DC}/100\text{V} \pm 15\text{V}$			
Drive Level	0.01mW~1mW			
Aging	$\pm 3\text{ppm}/\text{year Max}$			

### FREQUENCY STABILITY OVER TEMPERATURE RANGE(AT CUT)

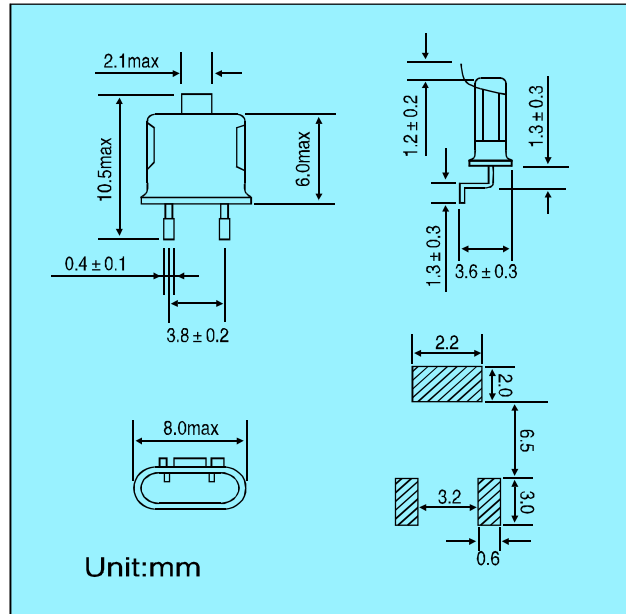
Temperature Range	Frequency Stability						
	$\pm 3\text{ppm}$	$\pm 5\text{ppm}$	$\pm 10\text{ppm}$	$\pm 15\text{ppm}$	$\pm 20\text{ppm}$	$\pm 30\text{ppm}$	$\pm 50\text{ppm}$
0°C ~ +50°C	☆	☆	☆	☆	☆	☆	☆
-10°C ~ +60°C	☆	☆	☆	☆	☆	☆	☆
-20°C ~ +70°C		☆	☆	☆	☆	☆	☆
-40°C ~ +85°C				☆	☆	☆	☆
-40°C ~ +105°C						☆	☆
-55°C ~ +125°C							☆

# Quartz Crystals

## UM-5(JYM5)



## UM-5/SMD(JYM5D)



## TAPE AND REEL DIMENSIONS(JYM5D)

