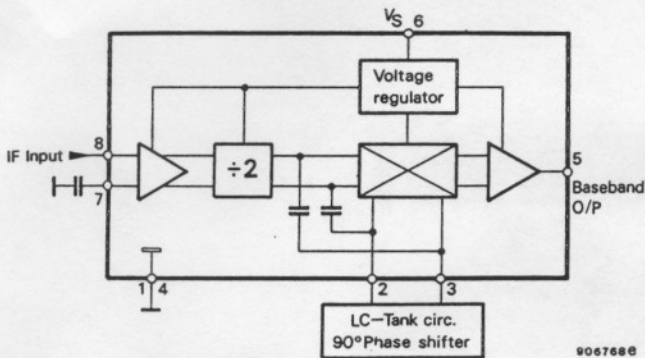


TV and VTR – Special Circuit

U 2452 B - Wideband FM demodulator for satellite TV receiver



Features:

- Operating frequency range 300 to 1000 MHz
- Supply voltage typ. 5 V
- High input sensitivity typ. 5 mV
- Wide dynamic range
- Very low differential phase and gain
- ESD protection according to MIL-STD 883

Case:

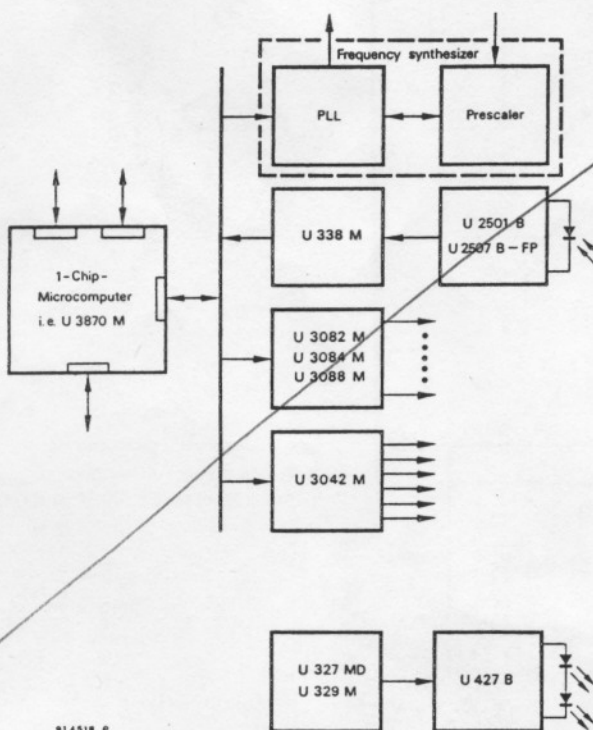
DIP 8
Dimensions see page 105
Number 4

906766E

SL 1452

TV and VTR – Microcomputer Controlled RC and Tuning Systems

Survey



Features:

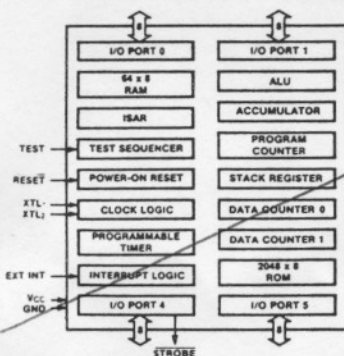
- U 3870 M one-chip microcomputer
- 3-wire system bus
- Modular system
- Channel and programm display
- PCM-IR remote control

The systems consists of the following IC's

1. Microcomputer U 3770 M
2. Tuning
 - Prescaler U 810 BS...U 813 BS, U 833 BSE, U 891 BS
 - Frequency synthesizer U 6316 B, U 6358 B, U 6359 B, U 6202 B, U 6204 B
3. Remote control
 - Transmitter U 327 MD/U 329 M
 - IR-diode driver U 427 B
 - Receiver preamplifier U 2501 B/U 2507 B-FP
 - Receiver U 338 M
4. LED-display
 - 2-digit display driver U 3082 M
 - 2-digit display driver U 3084 M
 - 1-digit display driver U 3088 M
5. D/A converter U 3042 M

914518 0

U 3870 M/U 2870 M - Family



Type	ROM (Bytes)	Executable RAM (Bytes)	Case
U 2870/10 M	1K	0	DIP 28
U 3870/10 M	1K	0	DIP 40
U 3870/20 M	2K	0	DIP 40
U 3870/40 M	4K	0	DIP 40
U 3870/42 M	4K	64	DIP 40
U 3870/60 M	6K	0	DIP 40
U 3870/62 M	6K	64	DIP 40
U 3870/80 M	8K	0	DIP 40
U 3870/82 M	8K	64	DIP 40
U 38C70/42 M	4K	64*	DIP 40
U 38Ex70 M	64K**	0/64	LPPC 68

* Low power; ** max. 4 K internal