

Monolithic Integrated Circuit – P channel MOS, ion implantation

Applications: Cross point array 5x2, especially for space division multiplex systems of PABX's (Private Automatic Branch Exchange)

Features:

- Integrated driver logic
- Balanced switching network
- Without operating current flow in the speech path
- TTL compatible logic control
- Internally protected inputs
- Signal inputs are galvanically separated from signal path



U 145 M

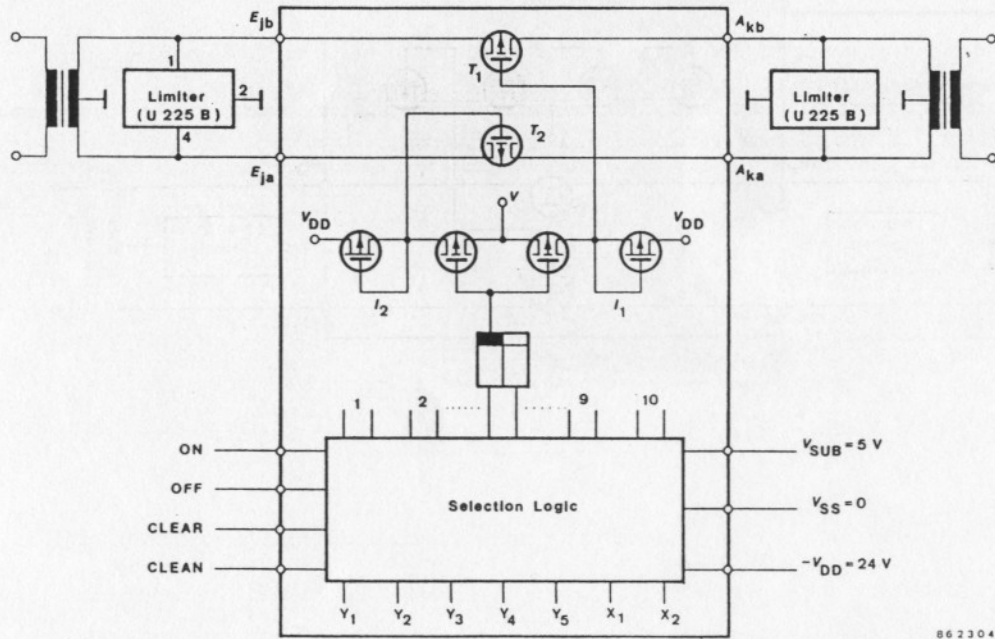
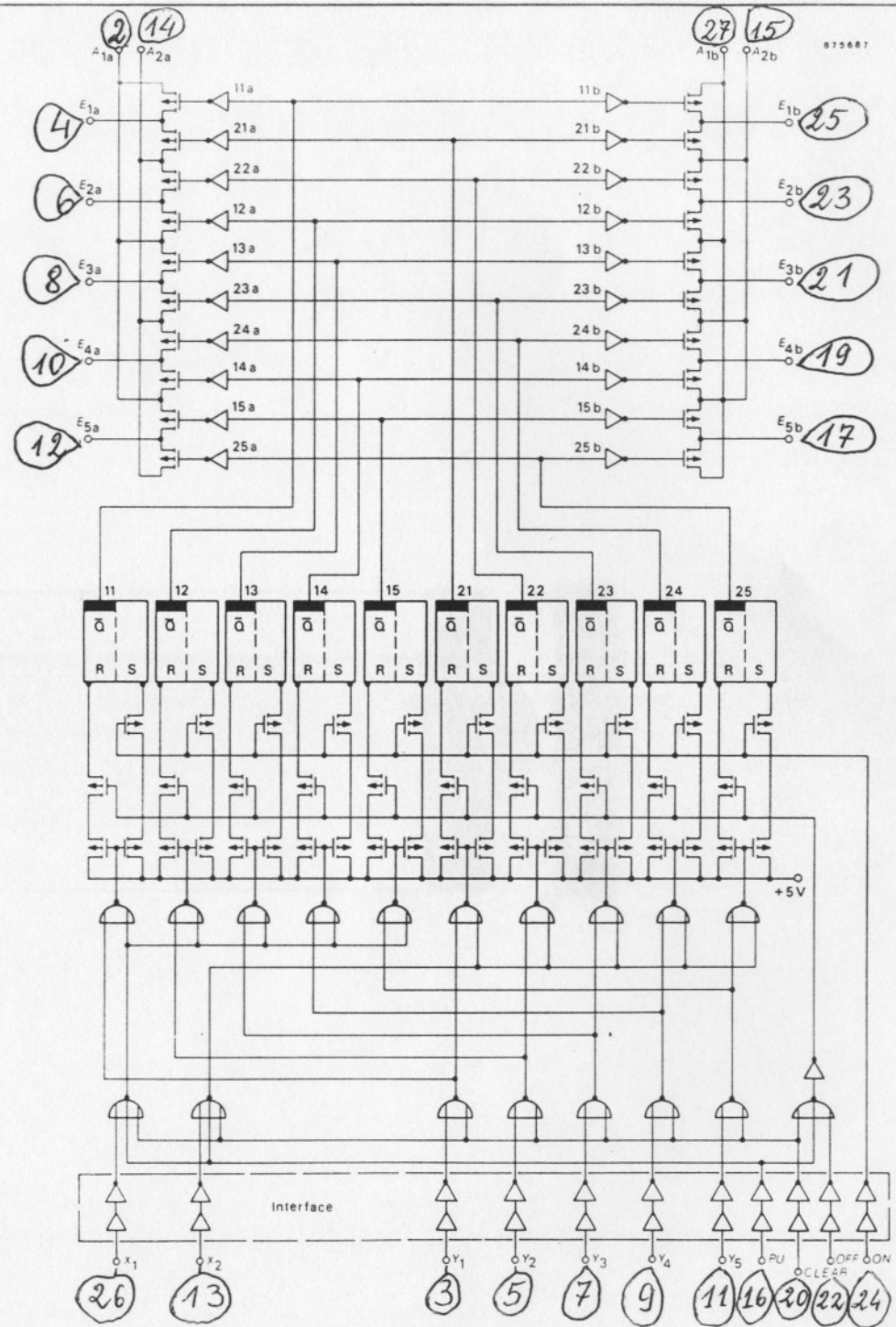


Fig. 1 Basic circuit diagram of speech-branch conductors



Logic control: The "LOW"-level 0... 0.8 V activates the logical network for switching ON or OFF. The "HIGH"-level 3.5... 5 V corresponds to the standby mode. The ON/OFF state of the crosspoint switches is stored internally.