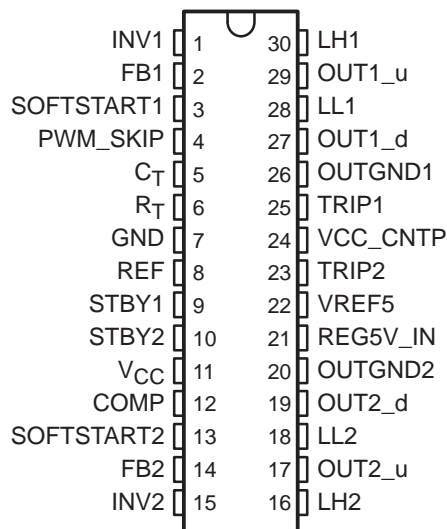


TPS5102 DUAL, HIGH-EFFICIENCY CONTROLLER FOR NOTEBOOK PC POWER

SLVS239 - SEPTEMBER 1999

- Dual, Step-Down for Notebook System Power
- 4.5 V to 25 V Input Voltage Range
- Adjustable Output Voltage
- 95% Efficiency Achievable
- PWM/Skip Mode Control Maintains High Efficiency Under Light Load Conditions
- Fixed-Frequency Operation
- Resistorless Current Protection
- Fixed High-Side Driver Voltage
- Low Quiescent Current (0.6 mA, <1 μ A for Standby)
- Small 30-Pin TSSOP
- EVM Available (TPS5102EVM-135)

DBT PACKAGE
(TOP VIEW)

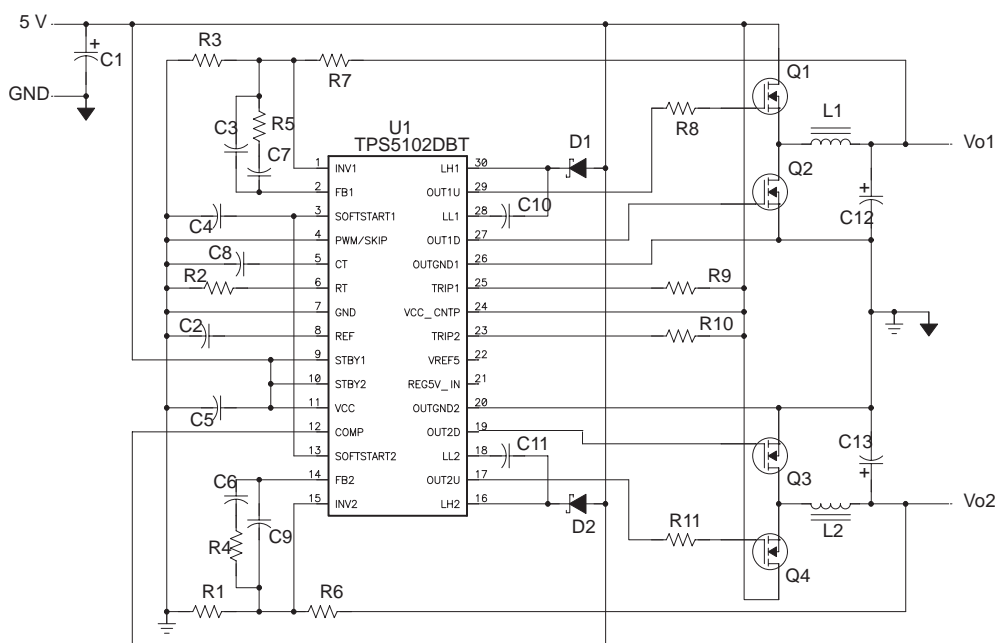


description

The TPS5102 is a dual, high efficiency controller designed for notebook system power requirements. Under light load conditions, high efficiency is maintained as the controller switches from the PWM mode to the lower frequency Skip mode.

These two operating modes, along with the synchronous-rectifier drivers, dead-time, and very low quiescent current, allow power to be conserved and the battery life extended, under all load conditions.

The resistor-less current protection and fixed high-side driver voltage simplify the system design and reduce the external parts count. The wide input voltage range and adjustable output voltages allow flexibility for using the TPS5102 in notebook power supply applications.



Please be aware that an important notice concerning availability, standard warranty, and use in critical applications of Texas Instruments semiconductor products and disclaimers thereto appears at the end of this data sheet.

PRODUCTION DATA information is current as of publication date. Products conform to specifications per the terms of Texas Instruments standard warranty. Production processing does not necessarily include testing of all parameters.

**TEXAS
INSTRUMENTS**

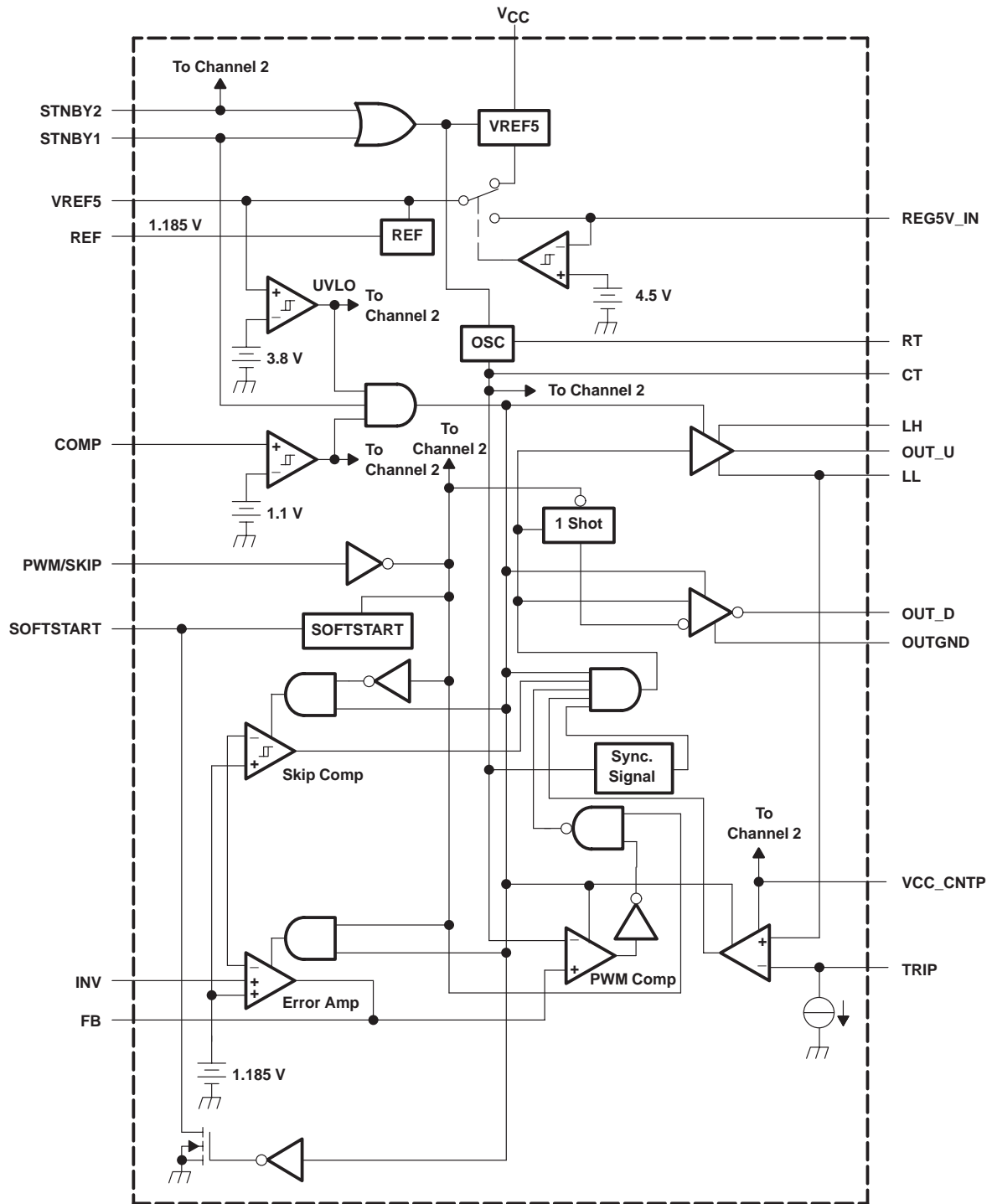
POST OFFICE BOX 655303 • DALLAS, TEXAS 75265

Copyright © 1999, Texas Instruments Incorporated

TPS5102 DUAL, HIGH-EFFICIENCY CONTROLLER FOR NOTEBOOK PC POWER

SLVS239 - SEPTEMBER 1999

functional block diagram



TPS5102

DUAL, HIGH-EFFICIENCY CONTROLLER FOR NOTEBOOK PC POWER

SLVS239 - SEPTEMBER 1999

AVAILABLE OPTIONS

T _A	PACKAGE	EVM
	TSSOP(DBT)	
-40°C to 85°C	TPS5102IDBT	TPS5102EVM-135
	TPS5102IDBTR	

Terminal Functions

TERMINAL NAME	NO.	I/O	DESCRIPTION
COMP	12	I/O	Voltage monitor comparator input
C _T	5	I/O	External capacitor connection for switching frequency adjustment
FB1	2	O	CH1 error amp output
FB2	14	O	CH2 error amp output
GND	7		Control GND
INV1	1	I	CH1 inverting input
INV2	15	I	CH2 inverting input
LH1	30	I/O	CH1 boost capacitor connection
LH2	16	I/O	CH2 boost capacitor connection
LL1	28	I/O	CH1 boost circuit connection
LL2	18	I/O	CH2 boost circuit connection
OUT1_d	27	I/O	CH1 low-side gate-drive output
OUT2_d	19	O	CH2 low-side gate-drive output
OUT1_u	29	O	CH1 high-side drive output
OUT2_u	17	O	CH2 high-side drive output
OUTGND1	26		Output GND 1
OUTGND2	20		Output GND 2
PWM_SKIP	4	I	PWM/SKIP mode select L:PWM mode H:SKIP mode
REF	8	O	1.185-V reference voltage output
REG5V_IN	21	I	External 5-V input
R _T	6	I/O	External resistor connection for switching frequency adjustment
SOFTSTART1	3	I/O	External capacitor connection for CH1 soft start timing.
SOFTSTART2	13	I/O	External capacitor connection for CH2 soft start timing.
STBY1	9	I	CH1 stand-by control
STBY2	10	I	CH2 stand-by control
TRIP2	23	I	External resistor connection for CH2 over current protection.
TRIP1	25	I	External resistor connection for CH1 over current protection.
V _{CC}	11		Supply voltage input
V _{ref5}	22	O	5-V internal regulator output
VCC_CNTP	24	I	Supply voltage sense input



TPS5102

DUAL, HIGH-EFFICIENCY CONTROLLER FOR NOTEBOOK PC POWER

SLVS239 - SEPTEMBER 1999

detailed description

Vref (1.185 V)

The reference voltage is used to set the output voltage and the overvoltage protection (COMP).

Vref5 (5 V)

The internal linear voltage regulator is used for the high-side driver bootstrap voltage. Since the input voltage range is from 4.5 V to 25 V, this feature offers a fixed voltage for the bootstrap voltage greatly simplifying the drive design. It is also used for powering the low side driver. The tolerance is 6%.

5-V Switch

If the internal 5 V switch senses a 5-V input from REG5V_IN pin, the internal 5-V linear regulator will be disconnected from the MOSFET drivers. The external 5 V will be used for both the low-side driver and the high side bootstrap, thus increasing the efficiency.

PWM/SKIP

This pin is used to change between PWM and Skip mode. If the pin is lower than 0.5-V, the IC is in regular PWM mode; if a minimum 2-V is applied to this pin, the IC works in Skip mode. In light load condition (<0.2 A), the skip mode gives a short pulse to the low-side FET instead of a full pulse. By this control, switching frequency is lowered, reducing switching loss; also the output capacitor energy discharging through the output inductor and the low-side FET is prevented. Therefore, the IC can achieve high efficiency at light load conditions (< 0.2 A).

err-amp

Each channel has its own error amplifier to regulate the output voltage of the synchronous-buck converter. It is used in the PWM mode for the high output current condition (>0.2A). Voltage mode control is applied.

skip comparator

In Skip mode, each channel has its own hysteretic comparator to regulate the output voltage of the synchronous-buck converter. The hysteresis is set internally and typically at 8.5 mV. The delay from the comparator input to the driver output is typically 1.2 μ s.

low-side driver

The low-side driver is designed to drive low-Rds(on) n-channel MOSFETs. The maximum drive voltage is 5 V from Vref5. The current rating of the driver is typically 1 A, source and sink.

high-side driver

The high side driver is designed to drive low-Rds(on) n-channel MOSFETs. The current rating of the driver is 1 A, source and sink. When configured as a floating driver, the bias voltage to the driver is developed from Vref5, limiting the maximum drive voltage between OUT_u and LL to 5 V. The maximum voltage that can be applied between LHx and OUTGND is 30 V.

deadtime control

Deadtime prevents shoot-through current from flowing through the main power FETs during switching transitions by actively controlling the turn-on time of the MOSFETs drivers. The typical deadtime from low-side-driver-off to high-side-driver-on is 70 ns, and 85 ns from high-side-driver-off to low-side-driver-on.



POST OFFICE BOX 655303 • DALLAS, TEXAS 75265

detailed description (continued)

current protection

Current protection is achieved by sensing the high-side power MOSFET drain-to-source voltage drop during on-time at VCC_CNTP and LL. An external resistor between Vin and TRIP pin in serial with the internal current source adjusts the current limit. When the voltage drop during the on-time is high enough, the current comparator triggers the current protection and the circuit is reset. The reset repeats until the over-current condition is removed.

COMP

COMP is an internal comparator used for any voltage protection such as the output under-voltage protection for notebook power applications. If the core voltage is lower than the setpoint, the comparator turns off both channels to prevent the notebook from damage.

SOFT1, SOFT2

Separate softstart terminals make it possible to set the start-up time of each output for any possibility.

STBY1, STBY2

Both channels can be switched into standby mode separately by grounding the STBY pin. The standby current is as low as 1 μ A.

ULVO

When the input voltage goes up to about 4 V, the IC is turned on, ready to function. When the input voltage is lower than the turn-on value, the IC is turned off. The typical hysteresis is 40 mV.

TPS5102

DUAL, HIGH-EFFICIENCY CONTROLLER FOR NOTEBOOK PC POWER

SLVS239 - SEPTEMBER 1999

absolute maximum ratings over operating free-air temperature (unless otherwise noted)†

Supply voltage, V _{CC} (see Note 1)	-0.3 V to 27 V
Input voltage, INV	-0.3 V to 7 V
SOFTSTART	-0.3 V to 7 V
COMP	-0.3 V to 6 V
REG5_IN	-0.3 V to 6 V
STBY	-0.3 V to 15 V
Driver current	3 A
TRIP	-0.3 V to 27 V
C _T	-0.3 V to 7 V
R _T	-0.3 V to 7 V
LL	-0.3 V to 27 V
LH	-0.3 V to 32 V
OUT_u	-0.3 V to 32 V
OUT_d	-0.3 V to 7 V
PWM/SKIP	-0.3 V to 7 V
VCC_Sense	-0.3 V to 27V
Power dissipation (T _A = 25°C)	874 mW
Operating temperature (T _A)	-40°C to 85°C
Operating temperature (T _J)	-40°C to 125°C
Storage temperature (T _{STG})	-55°C to 150°C

† Stresses beyond those listed under “absolute maximum ratings” may cause permanent damage to the device. These are stress ratings only, and functional operation of the device at these or any other conditions beyond those indicated under “recommended operating conditions” is not implied. Exposure to absolute-maximum-rated conditions for extended periods may affect device reliability.

- NOTES:
1. All voltage values are with respect to the network ground terminal.
 2. This rating is specified at duty ≤ 10% on output rise and fall each pulse. Each pulse width (rise and fall) for the peak current should not exceed 2 μs.
 3. See Dissipation Rating Table for free-air temperature range above 25°C.

DISSIPATION RATING TABLE

PACKAGE	T _A ≤ 25°C POWER RATING	DERATING FACTOR ABOVE T _A = 25°C	T _A = 85°C POWER RATING
DBT	874 mW	6.993 mW/°C	454 mW

recommended operating conditions

PARAMETERS		MIN	NOM	MAX	UNIT
Supply voltage, V _{CC}		4.5		25	V
Input voltage, V _I	INV1/2 C _T R _T , PWM/SKIP, SOFTSTART			6	V
	5 V_IN	-0.1		5.5	
	STBY1, STBY2			12	
	TRIP1/2 VCC_SENSE	-0.1		25	
Oscillator frequency	C _T		100		pF
	R _T		82		kΩ
	f _{osc} PWM		200		KHz
Operation temperature range, T _A		-40		85	°C



TPS5102

DUAL, HIGH-EFFICIENCY CONTROLLER FOR NOTEBOOK PC POWER

SLVS239 - SEPTEMBER 1999

electrical characteristics over recommended operating free-air temperature range, $V_{CC} = 7\text{ V}$ (unless otherwise noted)

reference voltage

PARAMETER		TEST CONDITIONS	MIN	TYP	MAX	UNIT
Vref	Reference voltage	$T_A = 25^\circ\text{C}$, $I_{Vref} = 50\ \mu\text{A}$	1.167	1.185	1.203	V
		$I_{Vref} = 50\ \mu\text{A}$	1.155		1.215	
Regin	Line regulation	$V_{CC} = 4.5, 25\text{V}$, $I = 50\ \mu\text{A}$		0.2	12	mV
Regl	Load regulation	$I = 0.1\ \mu\text{A}$ to $1\ \text{mA}$		0.5	10	mV

quiescent current

PARAMETER		TEST CONDITIONS	MIN	TYP	MAX	UNIT
Icc	Operating current without switching	Both STBY > 2.5 V, No switching, $V_{in} = 4.5 - 25\ \text{V}$		0.6	1.5	mA
Iccs	Stand-by current	Both STBY < 0.5 V, $V_{in} = 4.5 - 25\ \text{V}$		1	1000	nA

oscillator

PARAMETER		TEST CONDITIONS	MIN	TYP	MAX	UNIT
fosc	Frequency	PWM operation			500	kHz
R_T	Timing resistor		56			k Ω
fdv	fosc change	$V_{CC} = 4.5\ \text{V}$ to $25\ \text{V}$		0.1%		
fdt		$T_A = -40^\circ\text{C}$ to 85°C		2%		
V _{oscH}	H-level output voltage	DC, includes internal comparator error	1	1.1	1.2	V
		Fosc = 200 kHz, Includes internal comparator error		1.17		
V _{oscL}	L-level output voltage	Includes internal comparator error	0.4	0.5	0.6	V
		Fosc = 200 kHz, Includes internal comparator error		0.43		

error amp

PARAMETER		TEST CONDITIONS	MIN	TYP	MAX	UNIT
Vio	Input offset voltage	$T_A = 25^\circ\text{C}$		± 2	± 10	mV
Av	Open-loop voltage gain		50			dB
GB	Unity-gain bandwidth			0.8		MHz
I _{snk}	Output sink current	$V_o = 0.4\ \text{V}$	30	45		μA
I _{src}	Output source current	$V_o = 1\ \text{V}$		300		μA

skip comparator

PARAMETER		TEST CONDITIONS	MIN	TYP	MAX	UNIT
V _{hys} [†]	Hysteresis window		6	9.5	13	mV
V _{hoff}	Offset voltage			2		mV
I _{hbias}	Bias current			10		μA
T _{LHT}	Propagation delay [‡] from INV to OUTxU	TTL input signal		0.7		μs
T _{LH}		10 mV overdrive on hysteresis band signal		1.2		μs

[†] V_{hys} is assured by design.

[‡] The total delay in the table includes the driver delay.



TPS5102

DUAL, HIGH-EFFICIENCY CONTROLLER FOR NOTEBOOK PC POWER

SLVS239 - SEPTEMBER 1999

electrical characteristics over recommended operating free-air temperature range, $V_{CC} = 7\text{ V}$ (unless otherwise noted) (continued)

driver deadtime

PARAMETER	TEST CONDITIONS	MIN	TYP	MAX	UNIT
T _{DRVLH} Low side to high side			70		nS
T _{DRVHL} High side to low side			85		nS

standby

PARAMETER	TEST CONDITIONS	MIN	TYP	MAX	UNIT
V _{IH} H-level input voltage	STBY1, STBY2	2.5			V
V _{IL} L-level input voltage				0.5	
T _{turnon} Propagation delay	STBY to driver output		1.5		μs
T _{turnoff} Propagation delay			1.8		

5V regulator

PARAMETER	TEST CONDITIONS	MIN	TYP	MAX	UNIT
V _O Output voltage	I = 10 mA	4.7		5.3	V
Reg _{in} Line regulation	V _{cc} = 5.5 V, 25 V, I = 10 mA			20	mV
Reg _l Load regulation	I = 1 V, 10 mA, V _{cc} = 5.5 V			40	mV
I _{os} Short-circuit output current	V _{ref} = 0 V		80		mA

5-V internal switch

PARAMETER	TEST CONDITIONS	MIN	TYP	MAX	UNIT
V _{TLH}	Threshold voltage	4.2		4.8	V
V _{THL}		4.1		4.7	
V _{hys} Hysteresis		30		150	mV

UVLO

PARAMETER	TEST CONDITIONS	MIN	TYP	MAX	UNIT
V _{TLH}	Threshold voltage	3.7		4.2	V
V _{THL}		3.6		4.1	
V _{hys} Hysteresis		10	40	150	mV

current limit

PARAMETER	TEST CONDITIONS	MIN	TYP	MAX	UNIT
Internal current source	PWM mode	10	15	20	μA
	Skip mode	3	5	7	
Input offset voltage			2.5		mV

driver output

PARAMETER	TEST CONDITIONS	MIN	TYP	MAX	UNIT
OUT_u sink current	V _o = 3 V	0.5	1.2		A
OUT_d sink current		0.5	1.2		
OUT_u source current	V _o = 3 V	-1	-1.7		A
OUT_d source current		-1	-1.5		



TPS5102

DUAL, HIGH-EFFICIENCY CONTROLLER FOR NOTEBOOK PC POWER

SLVS239 - SEPTEMBER 1999

electrical characteristics over recommended operating free-air temperature range, $V_{CC} = 7\text{ V}$ (unless otherwise noted) (continued)

softstart

PARAMETER		TEST CONDITIONS	MIN	TYP	MAX	UNIT
I_{CTRL}	Soft-start current		1.8	2.5	3	μA
	Maximum discharge current			0.92		mA
V_{TLH}	Threshold voltage (skip mode)		3.4	3.9	4.7	V
V_{THL}			1.8	2.6	3.4	

output voltage protection (COMP)

PARAMETER		TEST CONDITIONS	MIN	TYP	MAX	UNIT
	Threshold voltage		0.9	1.1	1.3	V
	Propagation delay [†] , 50% duty cycle, No capacitor on COMP or OUT_u pin, Frequency = 200 kHz	Turnon		900		ns
		Turnoff (with channel on)		400		ns

[†] The delay time in the table includes the driver delay.

PWM/SKIP

PARAMETER		TEST CONDITIONS	MIN	TYP	MAX	UNIT
Threshold		High to low			0.5	V
		Low to high	2			
Delay		High to low		550		ns
		Low to high		400		



TYPICAL CHARACTERISTICS

QUIESCENT CURRENT (BOTH CHANNELS ON)
 vs
 INPUT VOLTAGE

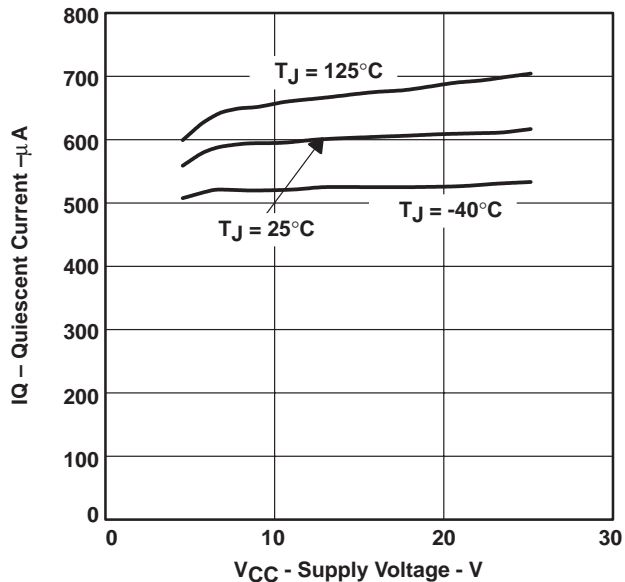


Figure 1

QUIESCENT CURRENT (BOTH CHANNELS STANDBY)
 vs
 INPUT VOLTAGE

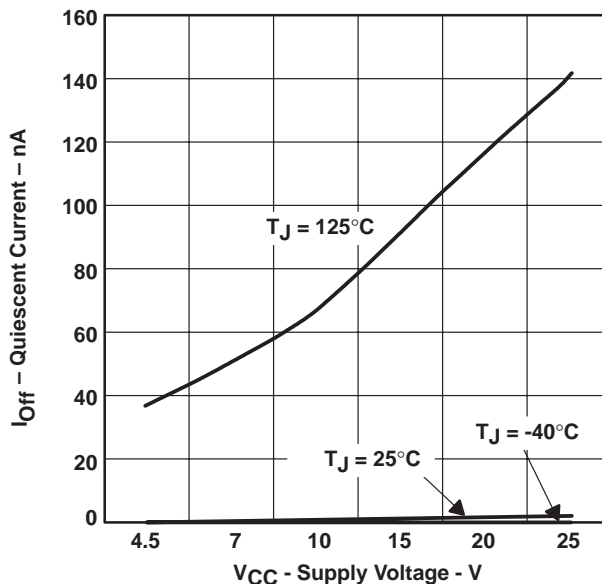


Figure 2

DRIVE CURRENT (SOURCE)
 vs
 DRIVE VOLTAGE

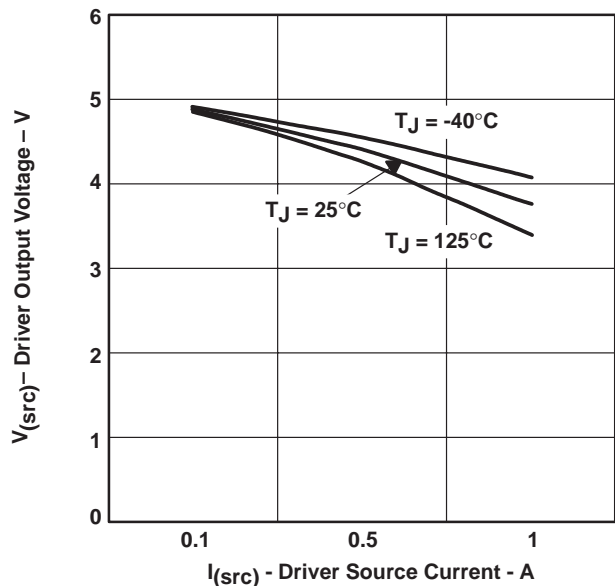


Figure 3

DRIVE CURRENT (SINK)
 vs
 DRIVE VOLTAGE

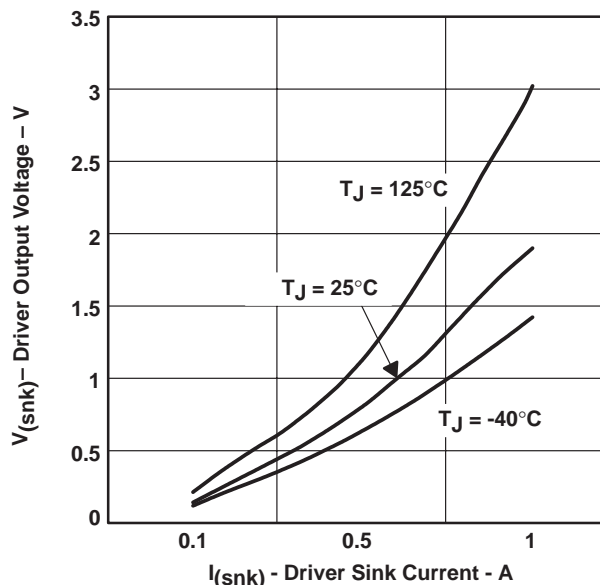


Figure 4

TYPICAL CHARACTERISTICS

CURRENT PROTECTION SOURCE CURRENT
 (SKIP MODE)
 vs
 INPUT VOLTAGE

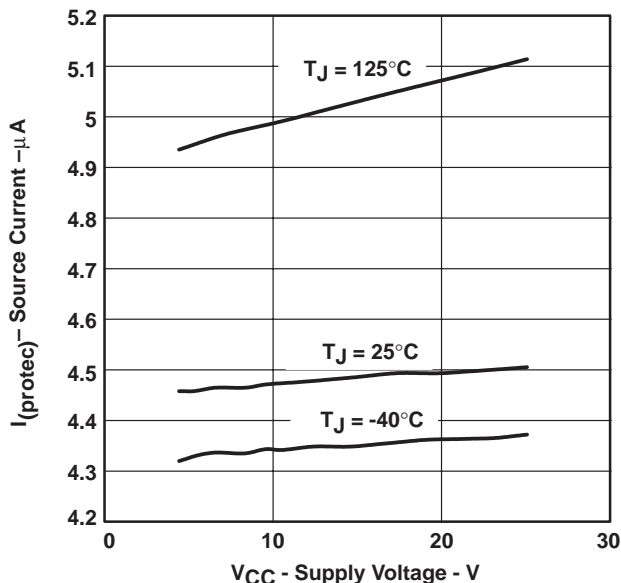


Figure 5

CURRENT PROTECTION SOURCE CURRENT
 (PWM MODE)
 vs
 INPUT VOLTAGE

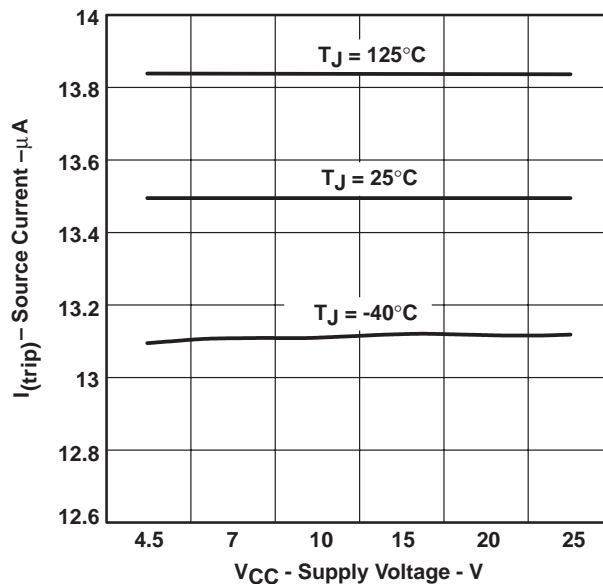


Figure 6

PWM/SKIP THRESHOLD VOLTAGE
 vs
 INPUT VOLTAGE

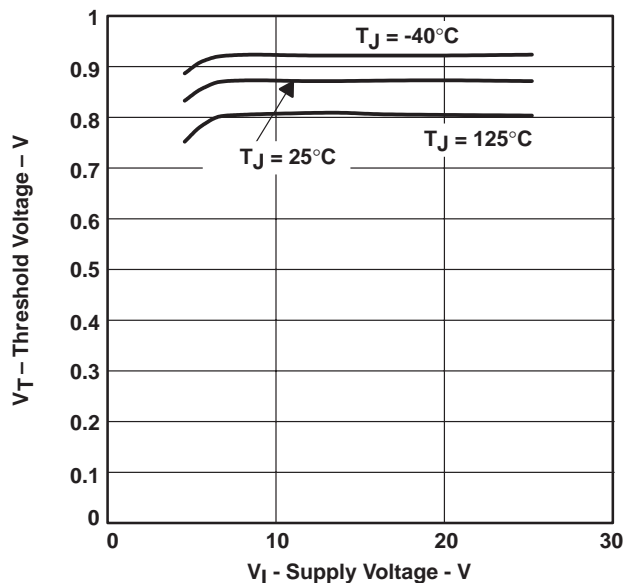


Figure 7

V_ref5 VOLTAGE
 vs
 CURRENT

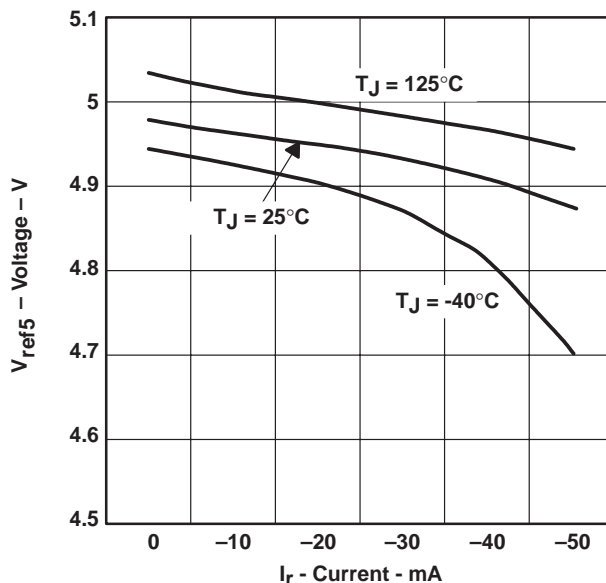


Figure 8

TYPICAL CHARACTERISTICS

MAXIMUM OUTPUT VOLTAGE
 VS
 SWITCHING FREQUENCY

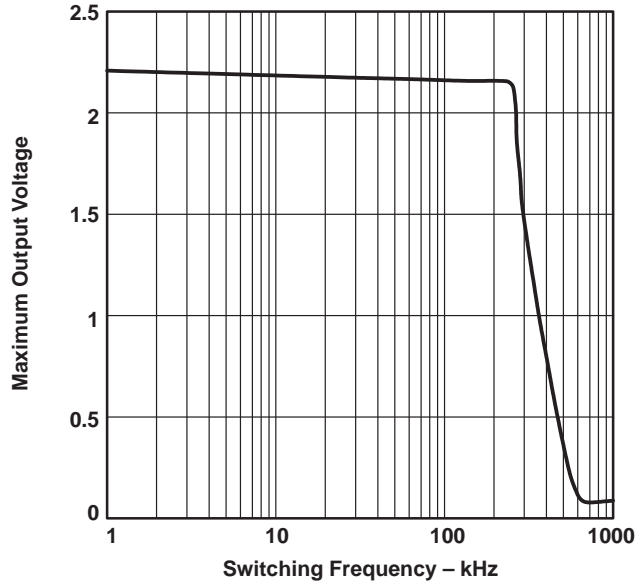


Figure 9

SOFT START CHARGE CURRENT
 VS
 JUNCTION TEMPERATURE

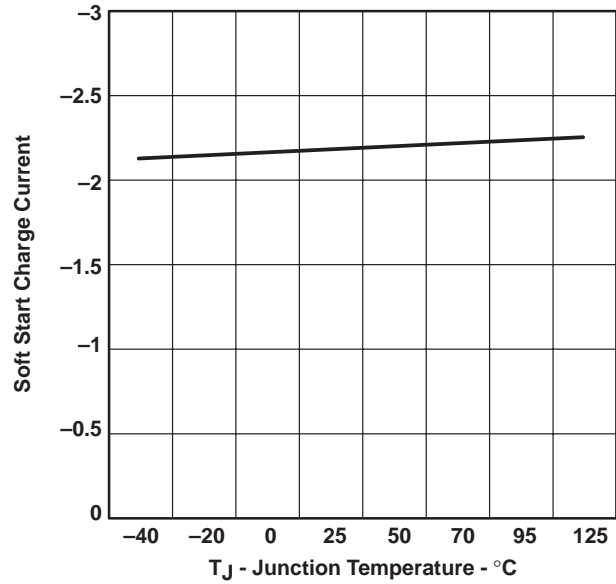


Figure 10

SWITCHING FREQUENCY
 VS
 TIMING RESISTOR

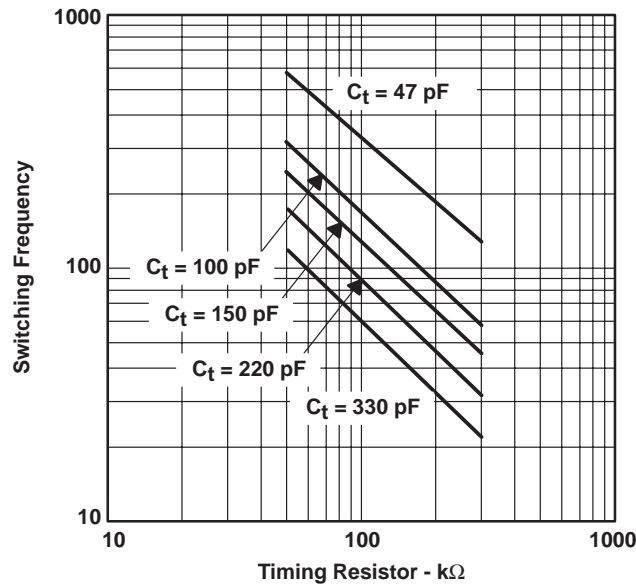
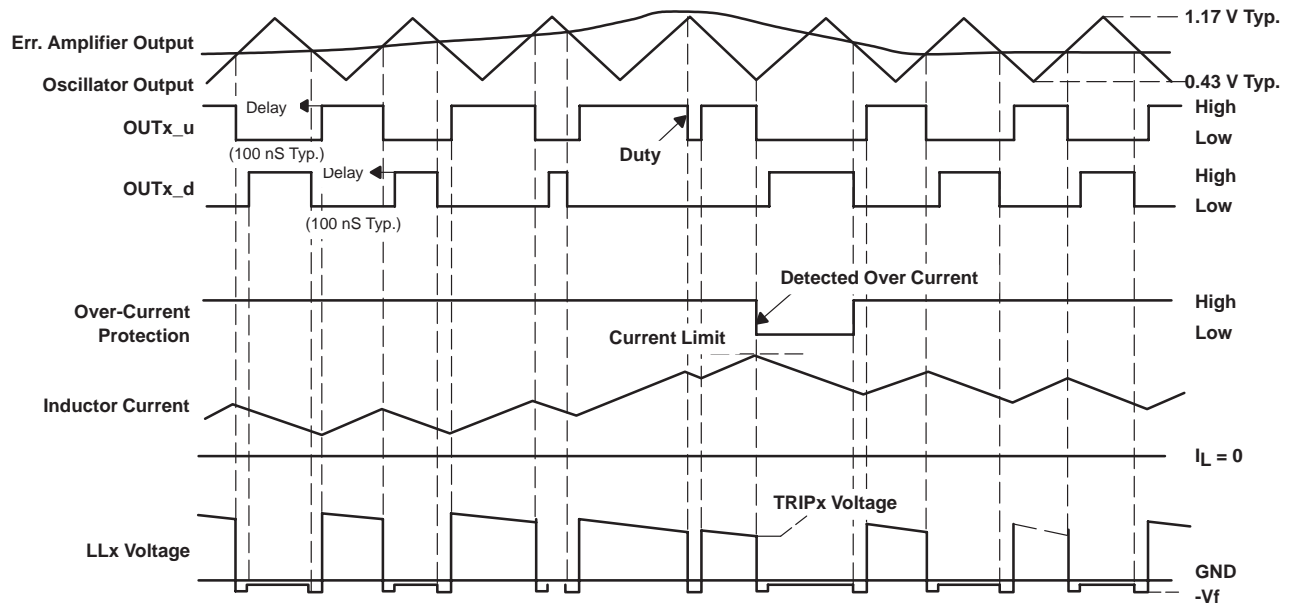


Figure 11

TYPICAL CHARACTERISTICS

timing diagram



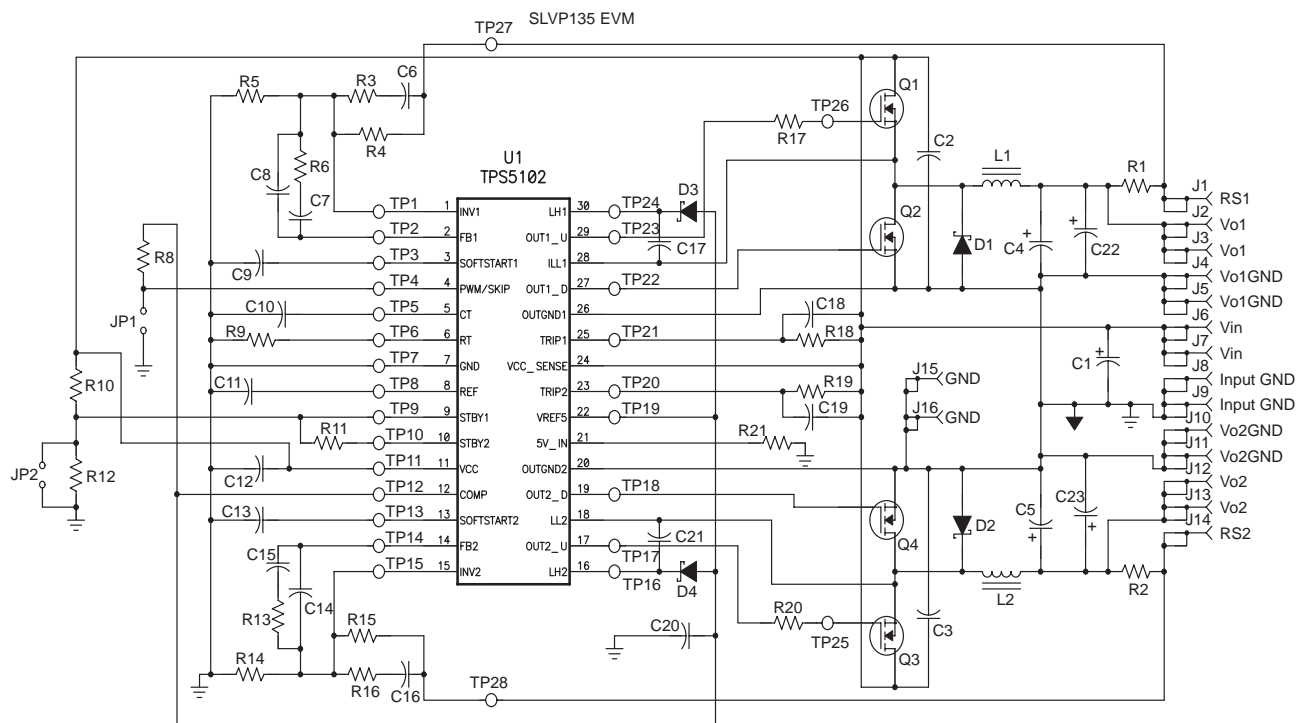
TPS5102 DUAL, HIGH-EFFICIENCY CONTROLLER FOR NOTEBOOK PC POWER

SLVS239 - SEPTEMBER 1999

APPLICATION INFORMATION

The design shown in this application report is a reference design for notebook applications. An evaluation module (EVM), TPS5102EVM-135 (SLVP135), is available for customer testing and evaluation. The intent is to allow a customer to fully evaluate the given design using the plug-in EVM supply shown here. For subsequent customer board revisions, the EVM design can be copied onto the users' PCB to shorten design cycle.

The following key design procedures will aid in the design of the notebook power supply using the TPS5102:



Vin	Iin	Vo1	Io1	Vo2	Io2
6 V to 15 V	6 A	3.3 V	4 A	5 V	4 A
16 V to 25 V		3.3 V	2.5 A	5 V	2.5 A

output voltage setpoint calculation

The output voltage is set by the reference voltage and the voltage divider. In the TPS5102, the reference voltage is 1.185-V, and the divider is composed of two resistors in the EVM design that are R4 and R5, or R14 and R15. The equation for the setpoint is:

$$R2 = \frac{R1 \times Vr}{Vo - Vr}$$

Where R1 is the top resistor (kΩ) (R4 or R15); R2 is the bottom resistor (kΩ) (R5 or R14); Vo is the required output voltage (V); Vr is the reference voltage (1.185 V in TPS5102).

Example: R1 = 1 kΩ; Vr = 1.185 V; Vo = 3.3 V, then R2 = 560 Ω.

Some of the most popular output voltage setpoints are calculated in the table below:

Vo	1.3 V	1.5 V	1.8 V	2.5 V	3.3 V	5 V
R1 (top) (kΩ)	1 V	1 V	1 V	1 V	1 V	1 V
R2 (bottom) (kΩ)	10 V	3.7 V	1.9 V	0.9 V	0.56 V	0.31 V



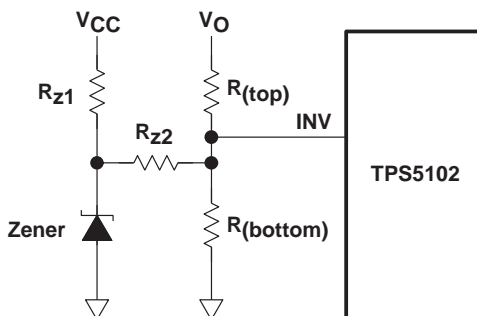
POST OFFICE BOX 655303 • DALLAS, TEXAS 75265

APPLICATION INFORMATION

output voltage setpoint calculation (continued)

If a higher precision resistor is used, the voltage setup can be more accurate.

In some applications, the output voltage is required to be lower than the reference voltage. With a few extra components, the lower voltage can be easily achieved. The drawing below shows the method.



In the schematic, the R_{z1} , the R_{z2} , and the zener are the extra components. R_{z1} is used to give the zener enough current to build up the zener voltage. The zener voltage is added to INV through R_{z2} . Therefore, the voltage on the INV is still equal to the IC internal voltage (1.185 V) even if the output voltage is regulated at a lower setpoint. The equation for setting up the output voltage is shown below:

$$R_{z2} = \frac{(V_z - V_r)}{\frac{(V_r - V_o)}{R_{top}} + \frac{V_r}{R_{bottom}}}$$

When R_{z2} is the adjusting resistor for low output voltage; V_z is the zener voltage; V_r is the internal reference voltage; R_{top} is the resistor of the voltage sensing network; R_{bottom} is the bottom resistor of the sensing network; V_o is the required output voltage setpoint.

Example: Assuming the required output voltage setpoint is $V_o = 0.8$ V, $V_z = 5$ V; $R_{top} = 1$ k Ω ; $R_{bottom} = 1$ k Ω , Then the $R_{z2} = 2.43$ k Ω .

output inductor ripple current

The output inductor current ripple can affect not only the efficiency, but also the output voltage ripple. The equation is exhibited below:

$$I_{ripple} = \frac{V_{in} - V_{out} - I_{out} \times (R_{dson} + R_L)}{L_{out}} \times D \times T_s$$

Where I_{ripple} is the peak-to-peak ripple current (A) through the inductor; V_{in} is the input voltage (V); V_{out} is the output voltage (V); I_{out} is the output current; R_{dson} is the on-time resistance of MOSFET (Ω); D is the duty cycle; and T_s is the switching cycle (S). From the equation, it can be seen that the current ripple can be adjusted by changing the output inductor value.

Example: $V_{in} = 5$ V; $V_{out} = 1.8$ V; $I_{out} = 5$ A; $R_{dson} = 10$ m Ω ; $R_L = 5$ m Ω ; $D = 0.36$; $T_s = 10$ μ S; $L_{out} = 6$ μ H

Then, the ripple $I_{ripple} = 2$ A.

APPLICATION INFORMATION

output capacitor RMS current

Assuming the inductor ripple current totally goes through the output capacitor to ground, the RMS current in the output capacitor can be calculated as:

$$I_{orms} = \frac{\Delta I}{\sqrt{12}}$$

Where $I_o(rms)$ is the maximum RMS current in the output capacitor (A); ΔI is the peak-to-peak inductor ripple current (A).

Example: $\Delta I = 2$ A, so $I_o(rms) = 0.58$ A

input capacitor RMS current

Assuming the input ripple current totally goes into the input capacitor to the power ground, the RMS current in the input capacitor can be calculated as:

$$I_{irms} = \sqrt{I_o^2 \times D \times (1-D) + \frac{1}{12} D \times I_{ripple}^2}$$

Where $I_i(rms)$ is the input RMS current in the input capacitor (A); I_o is the output current (A); I_{ripple} is the peak-to-peak output inductor ripple current; D is the duty cycle. From the equation, it can be seen that the highest input RMS current usually occurs at the lowest input voltage, so it is the worst case design for input capacitor ripple current.

Example: $I_o = 5$ A; $D = 0.36$; $I_{ripple} = 2$ A,

Then, $I_i(rms) = 2.42$ A

soft-start

The soft-start timing can be adjusted by selecting the soft-start capacitor value. The equation is

$$C_{soft} = 2 \times T_{soft}$$

Where C_{soft} is the soft-start capacitance (μF) (C9 or C13 in EVM design); T_{soft} is the start-up time (S).

Example: $T_{soft} = 5$ mS, so $C_{soft} = 0.01$ μF .

APPLICATION INFORMATION

current protection

The current limit in TPS5102 on each channel is set using an internal current source and an external resistor (R18 or R19). The sensed high side MOSFET drain-to-source voltage drop is compared to the set point, if the voltage drop exceeds the limit, the internal oscillator is activated, and it continuously reset the current limit until the over-current condition is removed. The equation below should be used for calculating the external resistor value for current protection setpoint:

$$R_{cl} = \frac{R_{ds(on)} \times (I_{trip} + I_{ind(p-p)}/2)}{0.000015}$$

In skip mode,

$$R_{cl} = \frac{R_{ds(on)} \times (I_{trip} + I_{ind(p-p)}/2)}{0.000005}$$

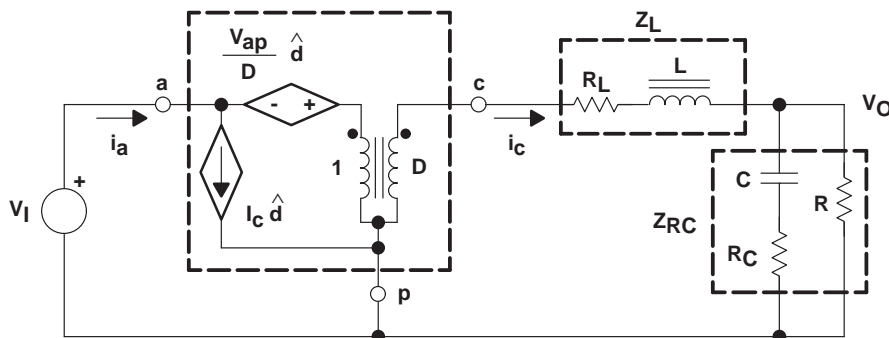
Where Rcl is the external current limit resistor (R10 or R11); Rds(on) is the high side MOSFET (Q1 or Q3) on-time resistance. Itrip is the required current limit; Iind(p-p) is the peak-to-peak output inductor current.

Example for voltage mode: Rds(on) = 10 mΩ, Itrip = 5 A, Iind = 2 A, so Rcl = 4 kΩ.

loop-gain compensation

Voltage mode control is used in this controller for the output voltage regulation. To achieve fast, stabilized control, two parts are discussed in this section: the power stage small signal modeling and the compensation circuit design.

For the buck converter, the small signal modeling circuit is shown below:



From this equivalent circuit, several control transfer functions can be derived: input-to-output, output impedance, and control-to-output. Typically the control-to-output transfer function is used for the feedback control design.

Assuming R_c and R_L are much smaller than R, the simplified small signal control-to-output transfer function is:

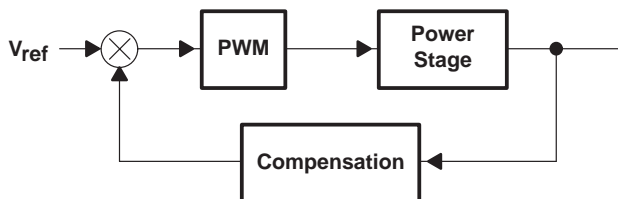
$$V_{od} = \frac{\hat{V}_O}{\hat{d}} = \frac{(1 + sCR_c)}{1 + s\left[C \times (R_c + R_L) + \frac{L}{R}\right] + s^2LC}$$

Where C is the output capacitance; R_c is the equivalent serial resistance (ESR) in the output capacitor; L is the output inductor; R_L is the equivalent serial resistance (DCR) in the output inductor; R is the load resistance.

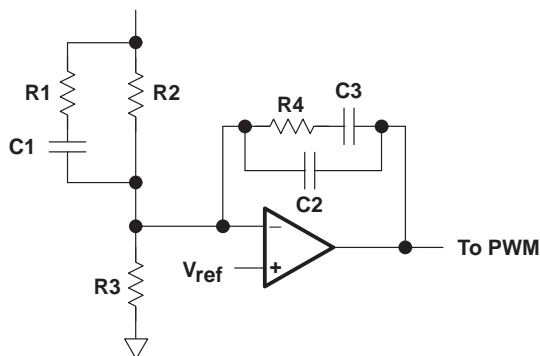
APPLICATION INFORMATION

loop-gain compensation (continued)

To achieve fast transient response and the better output voltage regulation, a compensation circuit is added to improve the feedback control. The whole system is shown:



The typical compensation circuit used as an option in the EVM design is a part of the output feedback circuit. The circuitry is displayed below:



This circuit is composed of one integrator, two poles, and two zeros:

Assuming $R1 \ll R2$ and $C2 \ll C3$, the equation is:

$$Comp = \frac{(1 + sC3R4) \times (1 + sC2R2)}{sC3R2(1 + sC2R4) (1 + sC1R1)}$$

Therefore,

$$Pole1 = \frac{1}{2\pi C1R1}$$

$$Zero1 = \frac{1}{2\pi C2R2}$$

$$Pole2 = \frac{1}{2\pi C2R4}$$

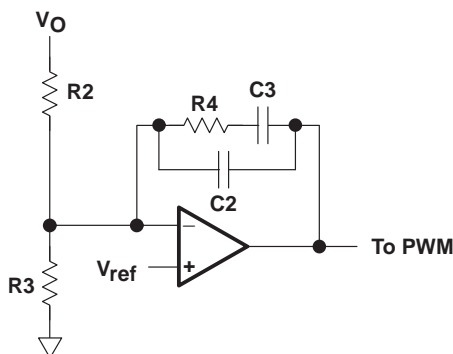
$$Zero2 = \frac{1}{2\pi C3R4}$$

$$Integrator = \frac{1}{2\pi C3R2}$$

A simplified version used in the EVM design is exhibited below:

APPLICATION INFORMATION

loop-gain compensation (continued)



Assuming $C2 \ll C3$, the equation is:

$$Comp = \frac{(1 + sC3R4)}{sC3R2(1 + sC2R4)}$$

There is one pole, one zero and one integrator:

$$Zero = \frac{1}{2\pi C3R4} \quad Integrator = \frac{1}{2\pi f C3R2} \quad Pole = \frac{1}{2\pi C2R4}$$

The loop-gain concept is used to design a stable and fast feedback control. The loop-gain equation is derived by the control-to-output transfer function times the compensation:

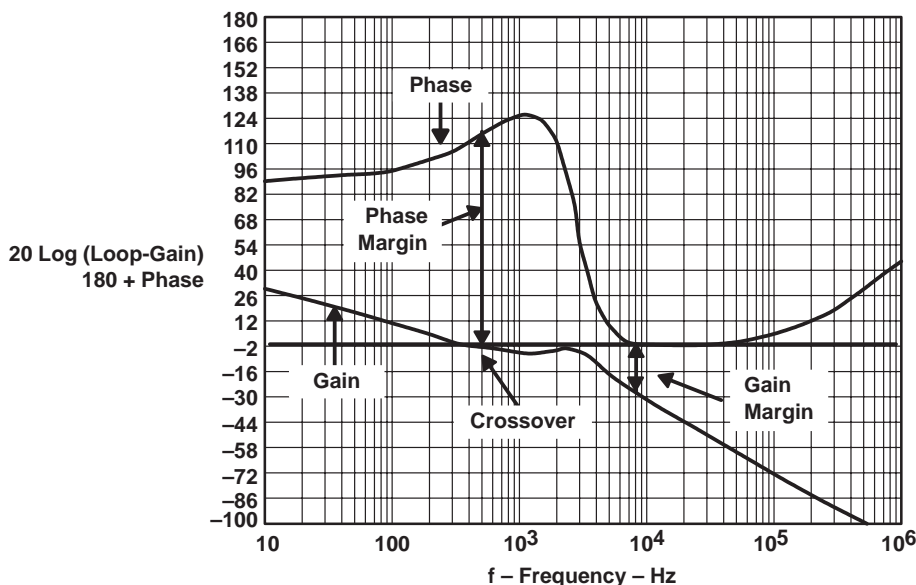
$$Loop-gain = Vod \times Comp$$

The amplitude and the phase of this equation can be drawn with software such as MathCad. In turn, the stability can be easily designed by adjusting the compensation parameters. The sample bode plot is shown below to explain the phase margin, gain margin, and the crossover frequency.

The gain is drawn as $20 \log(\text{loop-gain})$, and the phase is in degrees. To explain them clearer, 180 degrees is added to the phase, so that the gain and phase share the same zero.

The crossover frequency is the point at which the gain curve touches zero. The higher this frequency, the faster the transient response, since the transient recovery time is $1/(\text{crossover frequency})$. The phase is the phase margin. The phase margin should be at least 60 degrees to cover all changes such as temperature. The gain margin is the gap between the gain curve and the zero when the phase curve touches zero. This margin should be at least 20 dB to guarantee stability over all conditions.

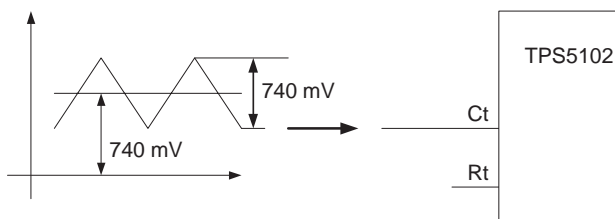
APPLICATION INFORMATION



synchronization

Some applications require switching clock synchronization. There are two methods that can be used for synchronization: the triangle wave synchronization and the square wave synchronization.

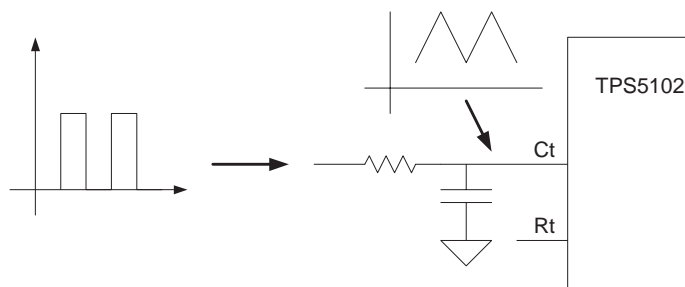
The triangle wave synchronization is displayed below:



It can be seen that both Rt and Ct are removed from the circuit. Therefore, two components are saved. This method is good for the synchronization between two controllers. If the controller needs to be synchronized with a digital circuit such as DSP, the square-type clock signal is usually used. The configuration exhibited below is for this type of application:

APPLICATION INFORMATION

synchronization (continued)



An external resistor is added into the circuit, but R_t is still removed. C_t is kept to be a part of RC circuit generating triangle waveform for the controller. Assuming the peak value of the square is known, the resistor and the capacitor can be adjusted to achieve the correct peak-to-peak value and the offset value.

layout guidelines

Good power supply results will only occur when care is given to proper design and layout. Layout will affect noise pickup and generation and can cause a good design to perform with less than expected results. With a range of currents from milliamps to tens or even hundreds of amps, good power supply layout is much more difficult than most general PCB designs. The general design should proceed from the switching node to the output, then back to the driver section and, finally, parallel the low-level components. Below are several specific points to consider *before* the layout of a TPS5102 design begins.

- All sensitive analog components should be referenced to ANAGND. These include components connected to V_{ref5} , V_{ref} , INV, LH, and COMP.
- Analog ground and drive ground should be isolated as much as possible. Ideally, analog ground will connect to the ground side of the bulk storage capacitors on V_O , and drive ground will connect to the main ground plane close to the source of the low-side FET.
- Connections from the drivers to the gate of the power FETs should be as short and wide as possible to reduce stray inductance. This becomes more critical if external gate resistors are not being used.
- The bypass capacitor for V_{CC} should be placed close to the TPS5102.
- When configuring the high-side driver as a floating driver, the connection from LL to the power FETs should be as short and as wide as possible.
- When configuring the high-side driver as a floating driver, the bootstrap capacitor (connected from LH to LL) should be placed close to the TPS5102.
- When configuring the high-side driver as a ground-referenced driver, LL should be connected to DRVGND.
- The bulk storage capacitors across V_{IN} should be placed close to the power FETS. High-frequency bypass capacitors should be placed in parallel with the bulk capacitors and connected close to the drain of the high-side FET and to the source of the low-side FET.
- High-frequency bypass capacitors should be placed across the bulk storage capacitors on V_O .
- LH and LL should be connected very close to the drain and source, respectively, of the high-side FET. LH and LL should be routed very close to each other to minimize differential-mode noise coupling to these traces.
- The output voltage sensing trace should be isolated by either ground trace or V_{cc} trace.

APPLICATION INFORMATION

PWM AND SKIP MODE EFFICIENCY
 COMPARISON

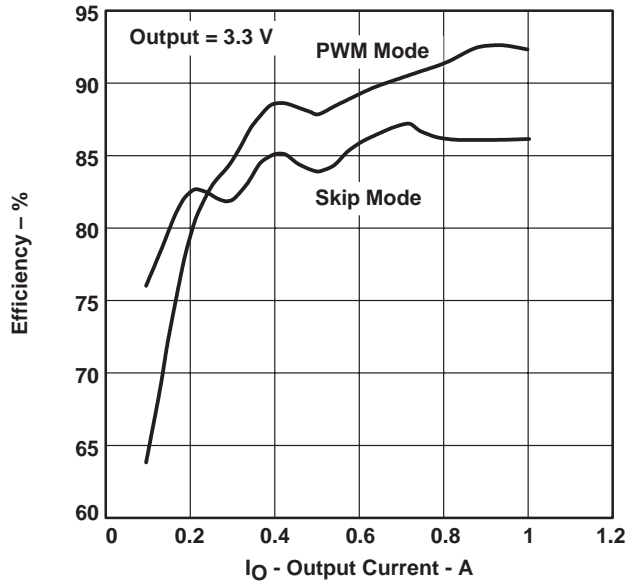


Figure 12

PWM AND SKIP MODE EFFICIENCY
 COMPARISON

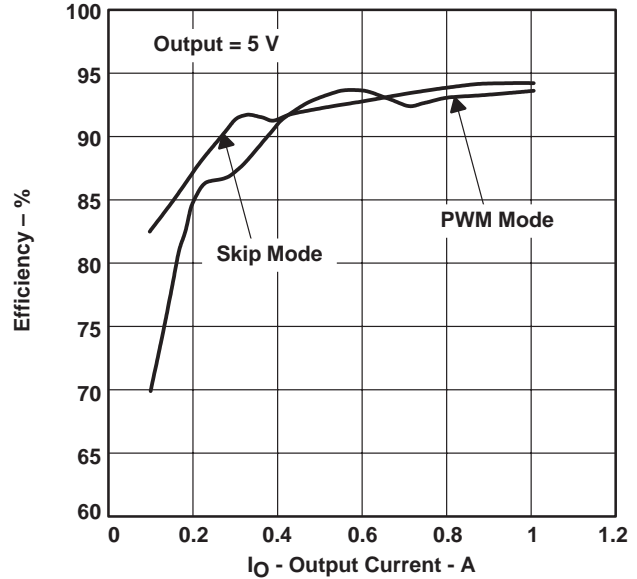


Figure 13

EFFICIENCY
 vs
 OUTPUT CURRENT

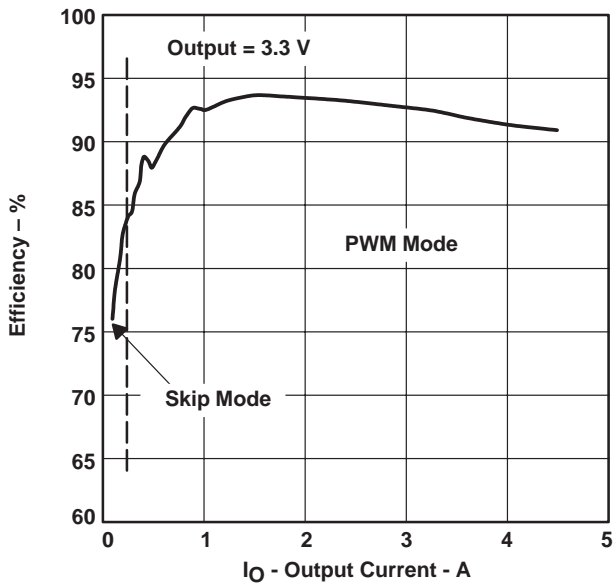


Figure 14

EFFICIENCY
 vs
 OUTPUT CURRENT

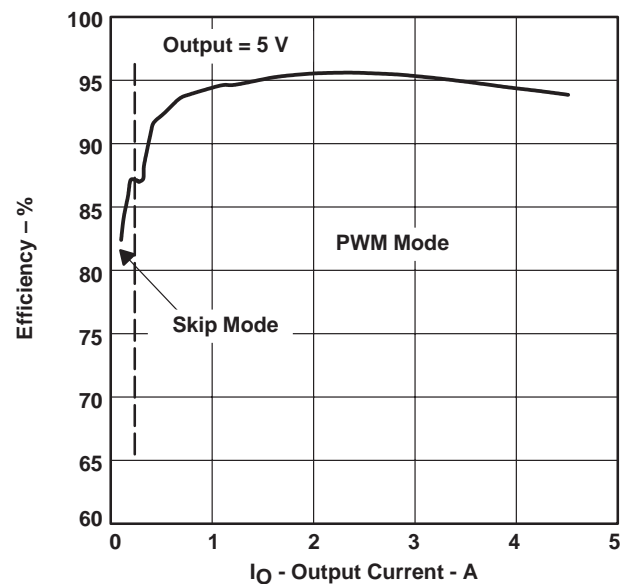


Figure 15

APPLICATION INFORMATION

EFFICIENCY
 VS
 OUTPUT CURRENT

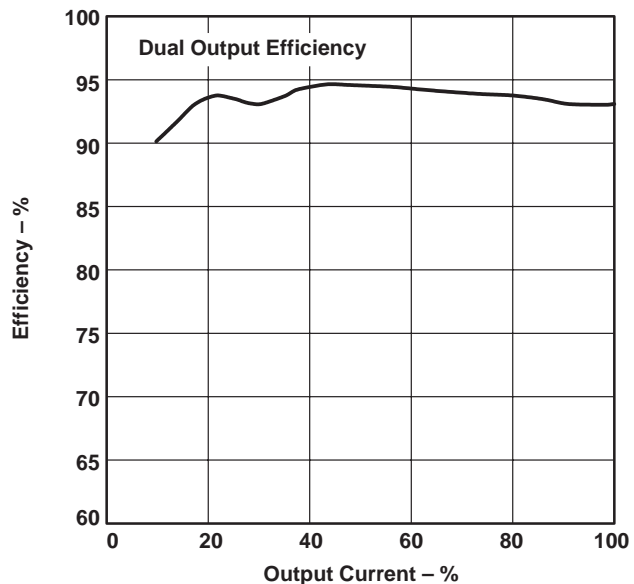


Figure 16

OUTPUT LOAD REGULATION

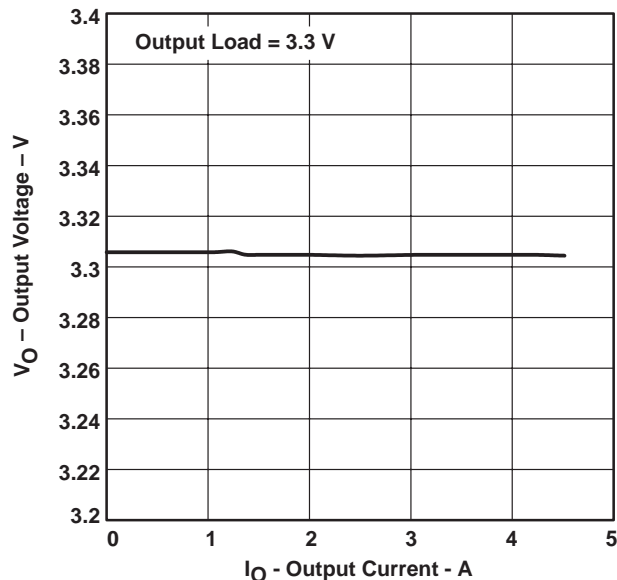


Figure 17

OUTPUT LOAD REGULATION

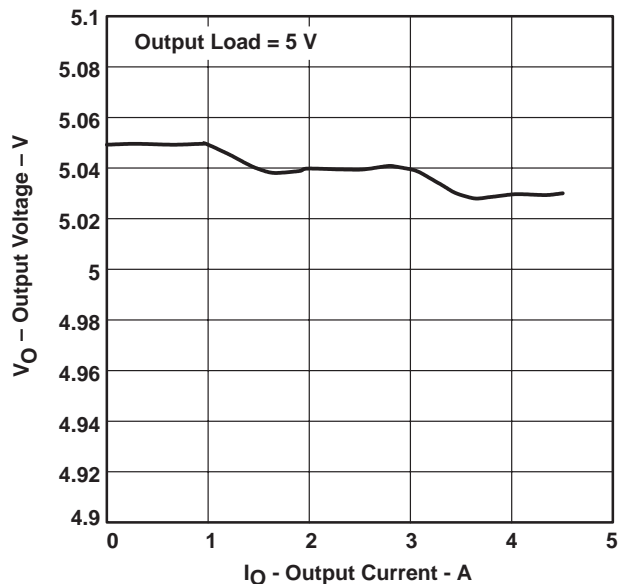


Figure 18

OUTPUT LINE REGULATION

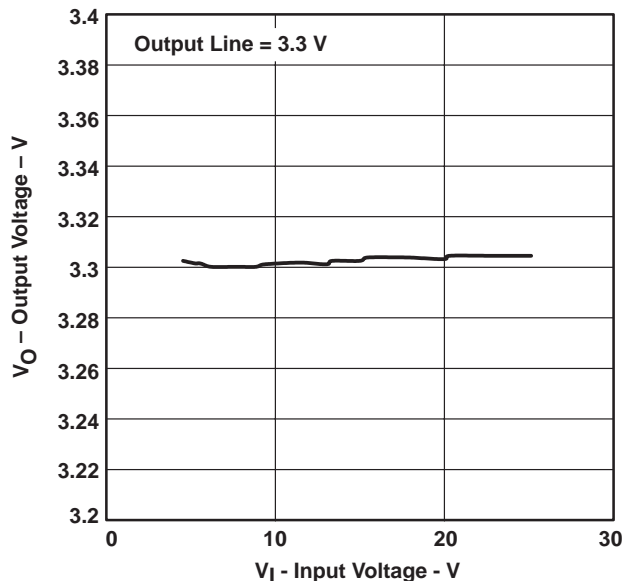


Figure 19

APPLICATION INFORMATION

OUTPUT LINE REGULATION

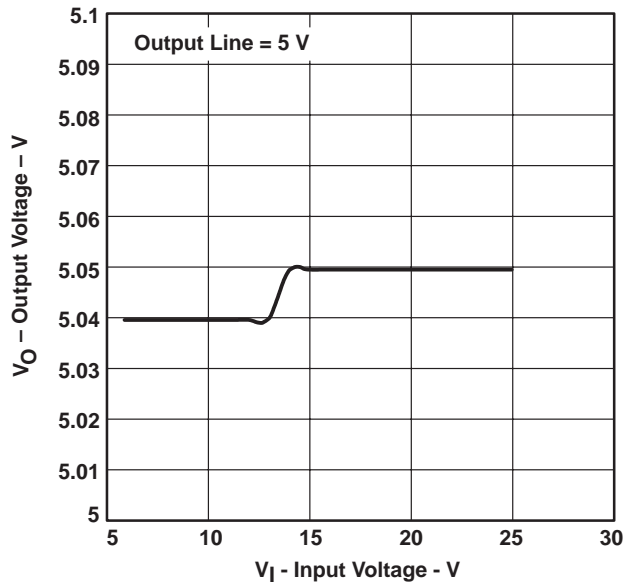


Figure 20

DIODE VERSION EFFICIENCY

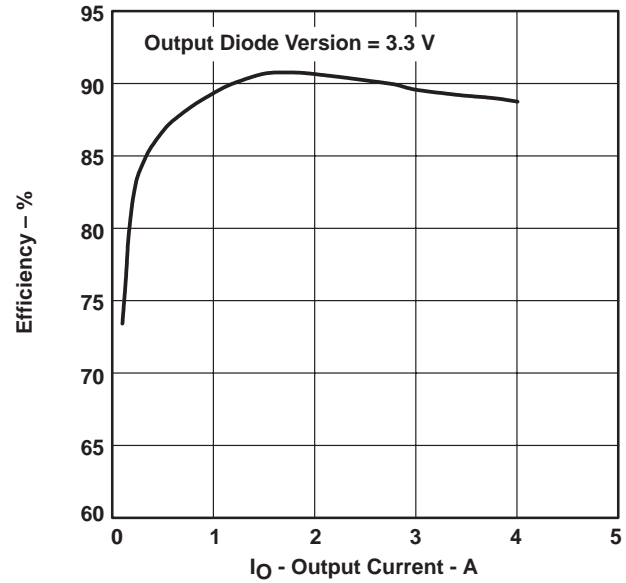


Figure 21

3.3-V OUTPUT VOLTAGE RIPPLE

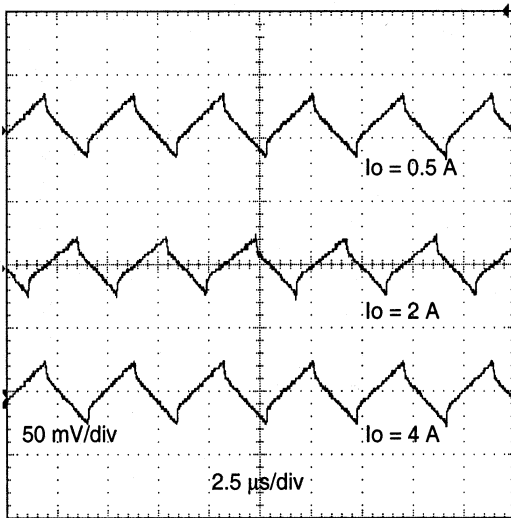


Figure 22

5-V OUTPUT VOLTAGE RIPPLE

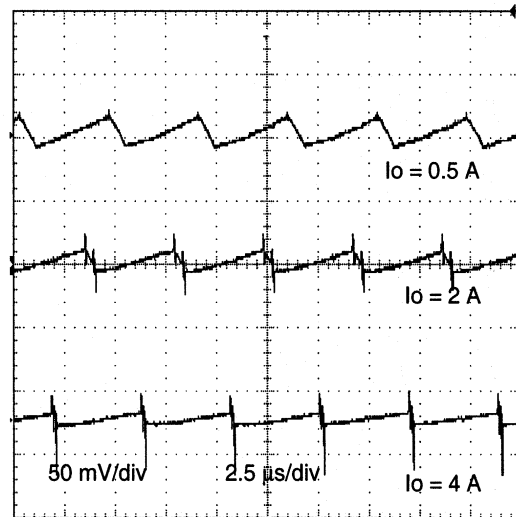


Figure 23

TPS5102

DUAL, HIGH-EFFICIENCY CONTROLLER FOR NOTEBOOK PC POWER

SLVS239 - SEPTEMBER 1999

APPLICATION INFORMATION

Table 1. Bill of Materials

REF.	PN	DESCRIPTION	MANUFACTURER	SIZE
C1	RV-35V221MH10-R	Capacitor, electrolytic, 220 μ F, 35 V	ELNA	10x10mm
C1 [†] opt	10TPB220M	Capacitor, POSCAP, 220 μ F, 10 V	Sanyo	7.3x4.3mm
C2	GMK325F106ZH	Capacitor, ceramic, 10 μ F, 35 V	Taiyo Yuden	1210
C3	GMK325F106ZH	Capacitor, ceramic, 10 μ F, 35 V	Taiyo Yuden	1210
C4	4TPB470M	Capacitor, POSCAP, 470 μ F, 4 V	Sanyo	7.3x4.3mm
C5	10TPB220M	Capacitor, POSCAP, 220 μ F, 10 V	Sanyo	7.3x4.3mm
C5 [†] opt	6TPB330M	Capacitor, POSCAP, 330 μ F, 6.3 V	Sanyo	7.3x4.3mm
C6 [†]	Standard	Open, capacitor, ceramic, 0.22 μ F, 16 V		805
C7	Standard	Capacitor, ceramic, 0.01 μ F, 16 V		805
C8	Standard	Capacitor, ceramic, 220 pF, 16 V		805
C9	Standard	Capacitor, ceramic, 0.01 μ F, 16 V		805
C10	Standard	Capacitor, ceramic, 100 pF, 16 V		805
C11	Standard	Capacitor, ceramic, 1 μ F, 16 V	muRata	805
C12	GMK316F225ZG	Capacitor, ceramic, 2.2 μ F, 35 V	Taiyo Yuden	1206
C13	Standard	Capacitor, ceramic, 0.01 μ F, 16 V		805
C14	Standard	Capacitor, ceramic, 220 pF, 16 V		805
C15	Standard	Capacitor, ceramic, 0.1 μ F, 16 V		805
C16 [†]	Standard	Open, capacitor, ceramic, 0.1 μ F, 16 V		805
C17	GMK316F225ZG	Capacitor, ceramic, 2.2 μ F, 35 V	Taiyo Yuden	1206
C18	Standard	Open		805
C19	Standard	Open		805
C20	GMK325F106ZH	Capacitor, ceramic, 10 μ F, 35 V	Taiyo Yuden	1210
C21	GMK316F225ZG	Capacitor, ceramic, 2.2 μ F, 35 V	Taiyo Yuden	1206
C22 [†]				7.3x4.3mm
C23 [†]				7.3x4.3mm
D1	MBRS340T3	Diode, Schottky, 40 V, 3 A	Motorola	SMC
D2	MBRS340T3	Diode, Schottky, 40 V, 3 A	Motorola	SMC
D3	SD103-AWDICT-ND	Diode, Schottky, 40 V, 200 mA	Digikey	3.5x1.5mm
D4	SD103-AWDICT-ND	Diode, Schottky, 40 V, 200 mA	Digikey	3.5x1.5mm
L1	DO3316P-682	Inductor, 6.8 μ H, 4.4 A	Coilcraft	0.5x0.37in
L2	DO3316P-682	Inductor, 6.8 μ H, 4.4 A	Coilcraft	0.5x0.37in
J1-J16	CA26DA-D36W-OFC	Edge connector, surface mount, 0.040" board, 0.090" standoff	NAS Interplex	0.040in
JP1	S1132-2-ND	Header, straight, 2-pin, 0.1 ctrs, 0.3" pins	Sullins	DigiKey # 1132-2-ND
JP1 shunt	S1132-14-ND	Shunt, jumper, 0.1"	Sullins	DigiKey # 929950-00-ND
JP2	S1132-14-ND	Header, straight, 2-pin, 0.1 ctrs, 0.3" pins	Sullins	DigiKey # 1132-2-ND
R1	Standard	Resistor, 5.1 Ω , 5%		805
R2	Standard	Resistor, 5.1 Ω , 5%		805
R3 [†]	Standard	Open		805
R4	Standard	Resistor, 1.21 k Ω , 1%		805
R5	Standard	Resistor, 680 Ω , 1%		805
R6	Standard	Resistor, 5.1 k Ω , 5%		805
R8	Standard	Resistor, 1 k Ω , 5%		805

[†] Option table



TPS5102

DUAL, HIGH-EFFICIENCY CONTROLLER FOR NOTEBOOK PC POWER

SLVS239 - SEPTEMBER 1999

APPLICATION INFORMATION

Table 1. Bill of Materials (continued)

REF.	PN	DESCRIPTION	MANUFACTURER	SIZE
R9	Standard	Resistor, 82 kΩ, 5%		805
R10	Standard	Resistor, 1 kΩ, 5%		805
R11	Standard	Resistor, 0 Ω, 5%		805
R12	Standard	Resistor, 1 kΩ, 5%		805
R13	Standard	Resistor, 1 kΩ, 5%		805
R14	Standard	Resistor, 310 kΩ, 1%		805
R15	Standard	Resistor, 1 kΩ, 1%		805
R16†	Standard	Open resistor, 5.1 Ω, 5%		805
R17	Standard	Resistor, 15 Ω, 5%		805
R18	Standard	Resistor, 7.5 kΩ, 5%		805
R19	Standard	Resistor, 7.5 kΩ, 5%		805
R20	Standard	Resistor, 15 Ω, 5%		805
R21	Standard	Open		805
Q1	Si4410DY	Transistor, MOSFET, n-ch, 30 V, 10 A, 13 mΩ,	Siliconix	SO-8
Q2	Si4410DY	Transistor, MOSFET, n-ch, 30 V, 10 A, 13 mΩ,	Siliconix	SO-8
Q3	Si4410DY	Transistor, MOSFET, n-ch, 30 V, 10 A, 13 mΩ,	Siliconix	SO-8
Q4	Si4410DY	Transistor, MOSFET, n-ch, 30 V, 10 A, 13 mΩ,	Siliconix	SO-8
U1	TPS5102	IC, Dual Controller	TI	TSSOP

† Option table

This EVM is designed to cover as many applications as possible. For some more specific applications, the circuit can be simpler. The table below gives some recommendations.

Table 2. EVM Application Recommendations

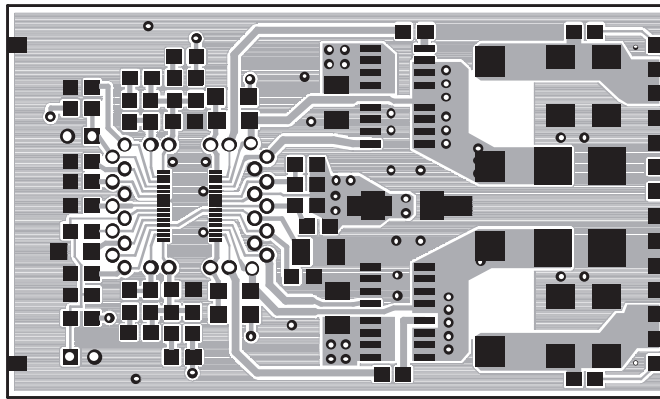
5V INPUT VOLTAGE	<3-A OUTPUT CURRENT	DIODE VERSION
Change C1 to low profile capacitor Sanyo 10TPB220M (220 μF, 10 V) Or 6TPB330M (330 μF, 6.3 V)	Change Q1/Q2 and Q3/Q4 to dual pack MOS-FET, IRF7311 to reduce the cost.	Remove Q2 and Q4 to reduce the cost.
Remove R12		

Table 3. Vendor and Source Information

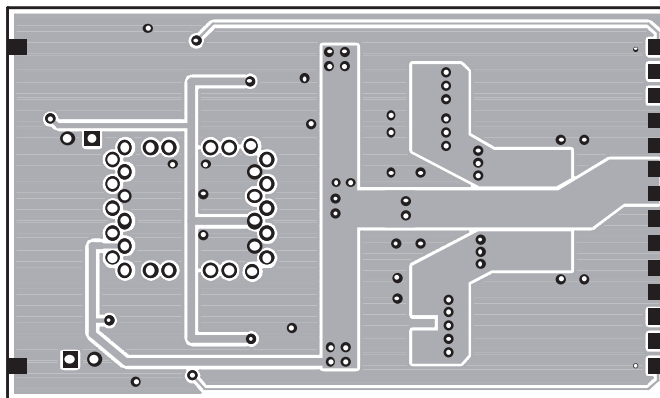
MATERIAL	SOURCE	PART NUMBER	DISTRIBUTORS
MOSFETS (Q1–Q4)	In EVM Design	Si4410DY (SILICONIX)	Local Distributor
	Second Source	IRF7811 (International Rectifier)	
INPUT CAPACITORS (C1)	In EVM Design	RV–35V221MH10–R (ELNA)	Bell Microproducts 972–783–4191
	Second Source	35CV330AX/GX (Sanyo)	870–633–5030
		UUR1V221MNR1GS (Nichicon)	Future Electronics (Local Office)
MAIN DIODES (D1 – D2)	In EVM Design	MBRS340T3 (Motorola)	Local Distributors
	Second Source	U3FWJ44N (Toshiba)	
INDUCTORS (L1 – L2)	In EVM Design	DO3316P–682 (Coilcraft)	972–248–3575
	Second Source	CTDO3316P–682 (Inductor Warehouse)	800–533–8295
CERAMIC CAPACITORS (C2, C3) (C12, C17, C21)	IN EVM Design	GMK325F106ZH GMK316F225ZG (Taiyo Yuden)	SMEC 512–331–1877
		Taiyo Yuden, Representative	e-mail: mike@millsales.com



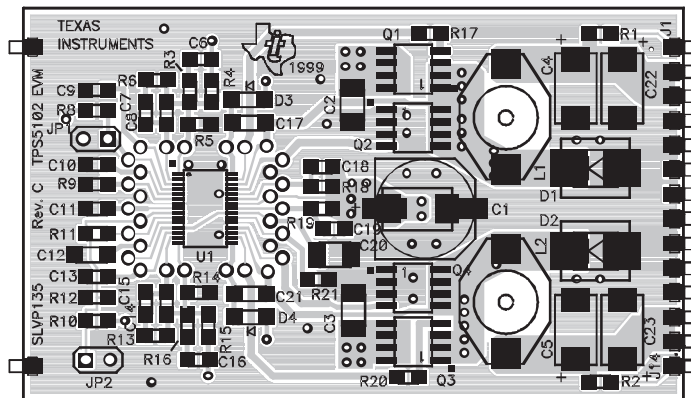
APPLICATION INFORMATION



Top Layer



Bottom Layer (Top View)

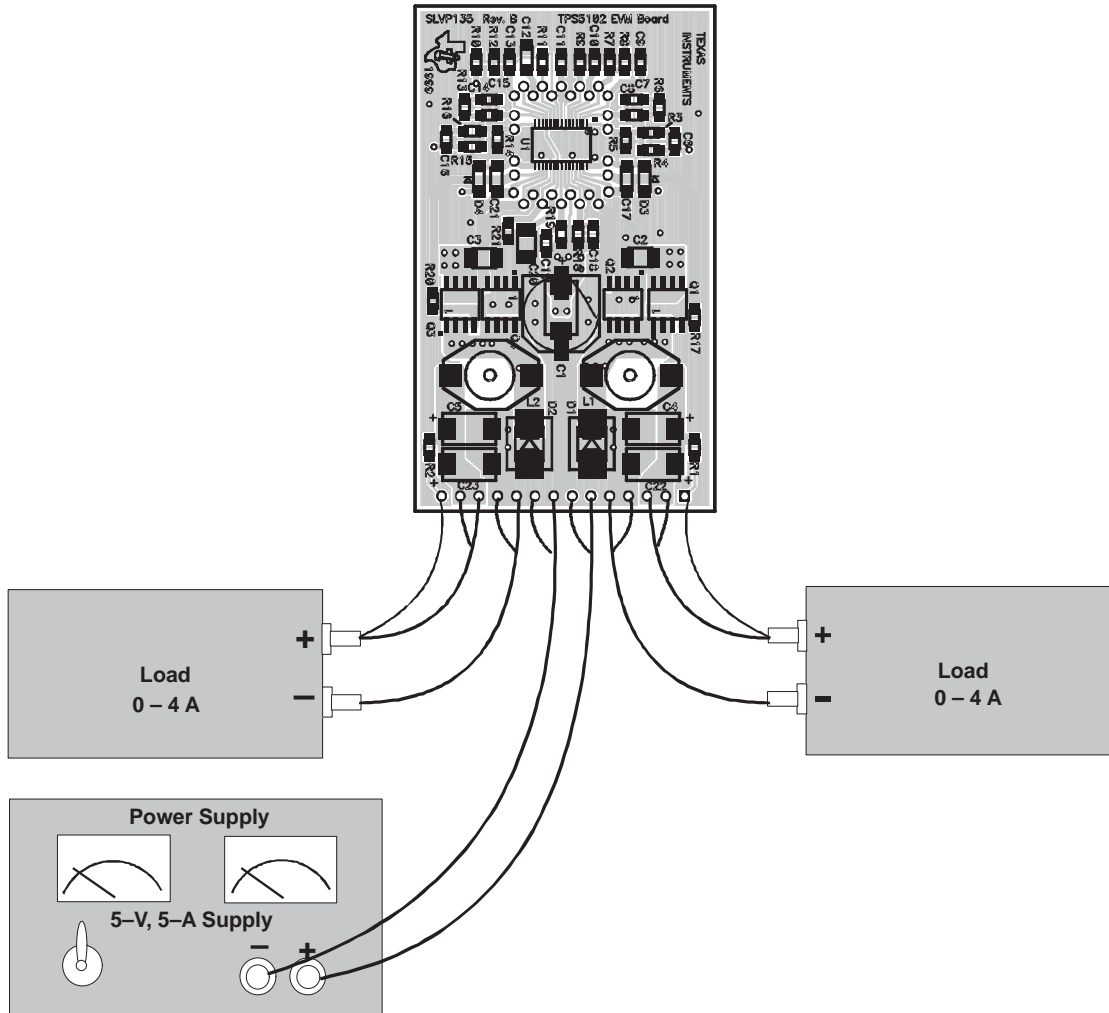


Top Assembly

TPS5102 DUAL, HIGH-EFFICIENCY CONTROLLER FOR NOTEBOOK PC POWER

SLVS239 - SEPTEMBER 1999

APPLICATION INFORMATION



NOTE: All wire pairs should be twisted.

Test Setup

TPS5102

DUAL, HIGH-EFFICIENCY CONTROLLER FOR NOTEBOOK PC POWER

SLVS239 - SEPTEMBER 1999

APPLICATION INFORMATION

High current applications are described in table . The values are recommendations based on actual test circuits. Many variations are possible based on the requirements of the user. Performance of the circuit is dependent upon the layout rather than the on specific components, if the device parameters are not exceeded. The power stage, having the highest current levels and greatest dv/dt rates, should be given the most attention, as both the supply and load can be severely affected by the power levels and edge rates.

Table 4. High Current Applications

REFERENCE DESIGNATIONS	FUNCTION	8-A OUTPUT	12-A OUTPUT	16-A OUTPUT
C1	Input Bulk Capacitor	2x ELNA RV-35V221MH10-R 220 μ F, 35 V	3x ELNA RV-35V221MH10-R 220 μ F, 35 V	4x ELNA RV-35V221MH10-R 220 μ F, 35 V
C2 (C3)	Input Bypass Capacitor	2x Taiyo Yuden GMK325F106ZH 10 μ F, 35 V	3x Taiyo Yuden GMK325F106ZH 10 μ F, 35 V	4x Taiyo Yuden GMK325F106ZH 10 μ F, 35 V
L1 (L2)	Output Filter Inductor	Coiltronics UP3B-2R2 2.2 μ H, 9.2 A	Coiltronics UP4B-1R5 1.5 μ H, 13.4 A	MicorMetals T68-8/90 Core w/7T, #16 1.0 μ H, 25 A
C4 (C22)	Output Filter Capacitor	2x Sanyo 4TPB470M 470 μ F, 4 V	3x Sanyo 4TPB470M 470 μ F, 4 V	4x Sanyo 4TPB470M 470 μ F, 4 V
C5 (C23)	Output Filter Capacitor	2x Sanyo 6TPB330M 330 μ F, 6.3 V	3x Sanyo 6TPB330M 330 μ F, 6.3 V	4x Sanyo 6TPB330M 330 μ F, 6.3 V
Q1 (Q3)	Power Switch	2x Siliconix Si4410DY 30 V, 10 A, 13 m Ω	3x Siliconix Si4410DY 30 V, 10 A, 13 m Ω	4x Siliconix Si4410DY 30 V, 10 A, 13 m Ω
Q2 (Q4)	Power Switch	2x Siliconix Si4410DY 30 V, 10 A, 13 m Ω	3x Siliconix Si4410DY 30 V, 10 A, 13 m Ω	4x Siliconix Si4410DY 30 V, 10 A, 13 m Ω
R17 (R20)	Gate Drive Resistor	7 Ω	5 Ω	4 Ω
R18 (R19)	Current Limit Resistor	10 k Ω	15 k Ω	20 k Ω
Switching Frequency		200 kHz	150 kHz	100 kHz

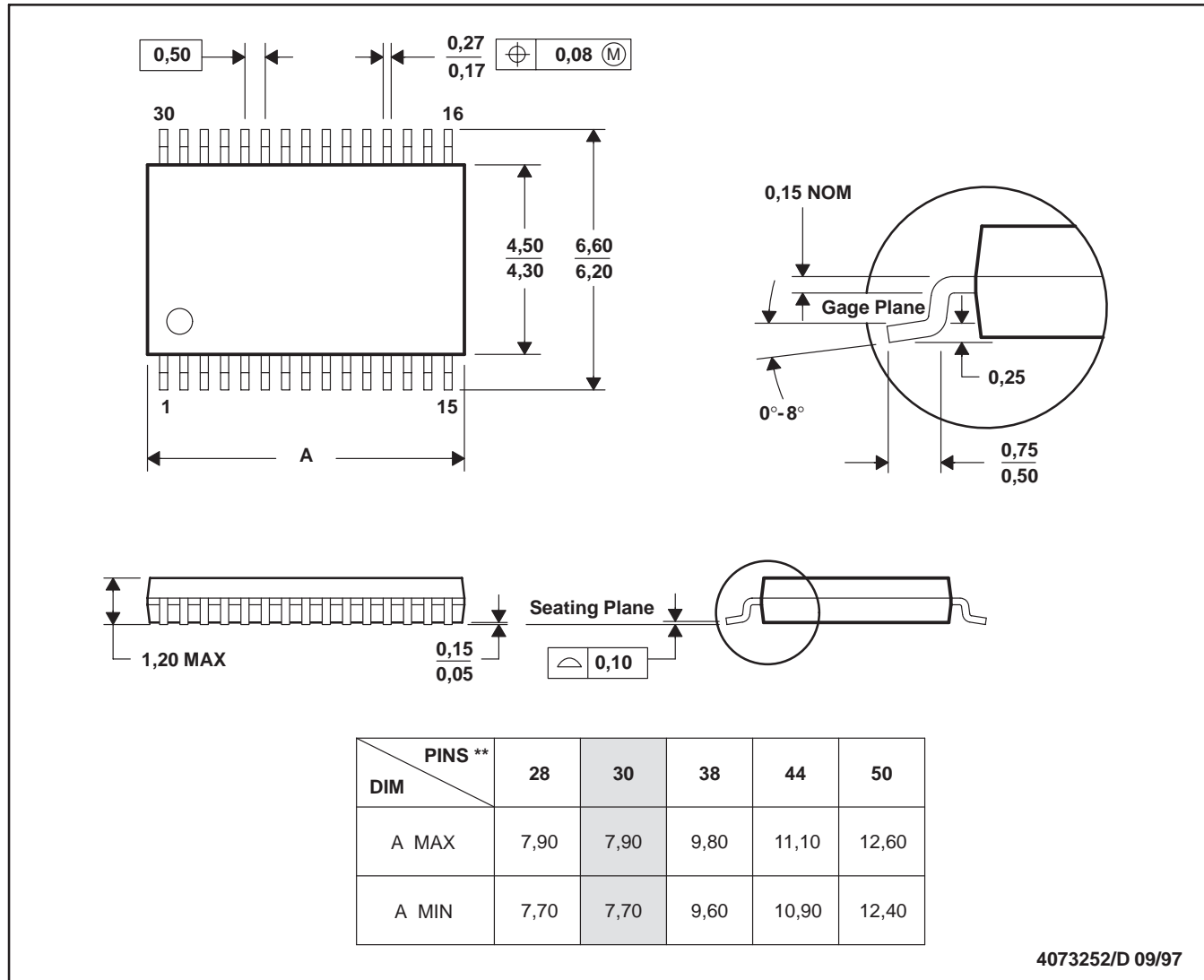
TPS5102 DUAL, HIGH-EFFICIENCY CONTROLLER FOR NOTEBOOK PC POWER

SLVS239 - SEPTEMBER 1999

DBT (R-PDSO-G**)

PLASTIC SMALL-OUTLINE PACKAGE

30 PINS SHOWN



4073252/D 09/97

- NOTES: A. All linear dimensions are in millimeters.
 B. This drawing is subject to change without notice.
 C. Body dimensions do not include mold flash or protrusion.
 D. Falls within JEDEC MO-153

PACKAGING INFORMATION

Orderable Device	Status ⁽¹⁾	Package Type	Package Drawing	Pins	Package Qty	Eco Plan ⁽²⁾	Lead/Ball Finish	MSL Peak Temp ⁽³⁾
TPS5102IDBT	ACTIVE	TSSOP	DBT	30	60	Green (RoHS & no Sb/Br)	CU NIPDAU	Level-2-260C-1 YEAR
TPS5102IDBTG4	ACTIVE	TSSOP	DBT	30	60	Green (RoHS & no Sb/Br)	CU NIPDAU	Level-2-260C-1 YEAR
TPS5102IDBTR	ACTIVE	TSSOP	DBT	30	2000	Green (RoHS & no Sb/Br)	CU NIPDAU	Level-2-260C-1 YEAR
TPS5102IDBTRG4	ACTIVE	TSSOP	DBT	30	2000	Green (RoHS & no Sb/Br)	CU NIPDAU	Level-2-260C-1 YEAR

⁽¹⁾ The marketing status values are defined as follows:

ACTIVE: Product device recommended for new designs.

LIFEBUY: TI has announced that the device will be discontinued, and a lifetime-buy period is in effect.

NRND: Not recommended for new designs. Device is in production to support existing customers, but TI does not recommend using this part in a new design.

PREVIEW: Device has been announced but is not in production. Samples may or may not be available.

OBSOLETE: TI has discontinued the production of the device.

⁽²⁾ Eco Plan - The planned eco-friendly classification: Pb-Free (RoHS), Pb-Free (RoHS Exempt), or Green (RoHS & no Sb/Br) - please check <http://www.ti.com/productcontent> for the latest availability information and additional product content details.

TBD: The Pb-Free/Green conversion plan has not been defined.

Pb-Free (RoHS): TI's terms "Lead-Free" or "Pb-Free" mean semiconductor products that are compatible with the current RoHS requirements for all 6 substances, including the requirement that lead not exceed 0.1% by weight in homogeneous materials. Where designed to be soldered at high temperatures, TI Pb-Free products are suitable for use in specified lead-free processes.

Pb-Free (RoHS Exempt): This component has a RoHS exemption for either 1) lead-based flip-chip solder bumps used between the die and package, or 2) lead-based die adhesive used between the die and leadframe. The component is otherwise considered Pb-Free (RoHS compatible) as defined above.

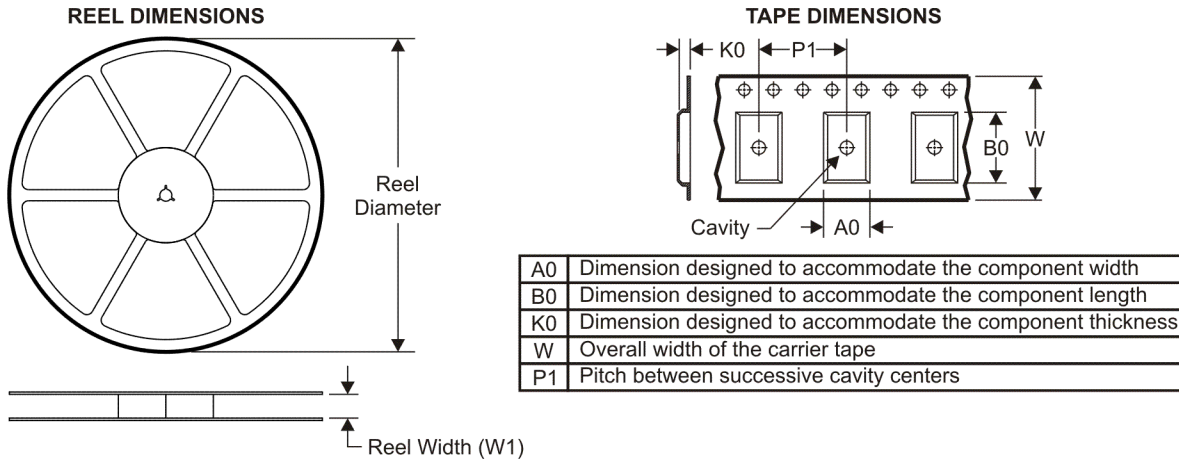
Green (RoHS & no Sb/Br): TI defines "Green" to mean Pb-Free (RoHS compatible), and free of Bromine (Br) and Antimony (Sb) based flame retardants (Br or Sb do not exceed 0.1% by weight in homogeneous material)

⁽³⁾ MSL, Peak Temp. -- The Moisture Sensitivity Level rating according to the JEDEC industry standard classifications, and peak solder temperature.

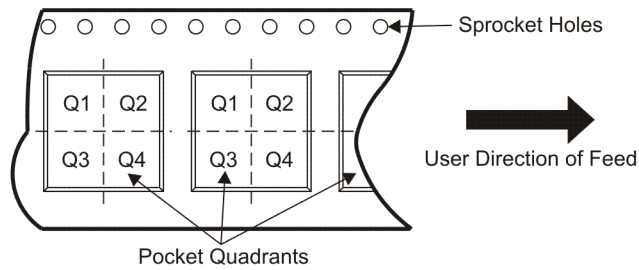
Important Information and Disclaimer:The information provided on this page represents TI's knowledge and belief as of the date that it is provided. TI bases its knowledge and belief on information provided by third parties, and makes no representation or warranty as to the accuracy of such information. Efforts are underway to better integrate information from third parties. TI has taken and continues to take reasonable steps to provide representative and accurate information but may not have conducted destructive testing or chemical analysis on incoming materials and chemicals. TI and TI suppliers consider certain information to be proprietary, and thus CAS numbers and other limited information may not be available for release.

In no event shall TI's liability arising out of such information exceed the total purchase price of the TI part(s) at issue in this document sold by TI to Customer on an annual basis.

TAPE AND REEL INFORMATION



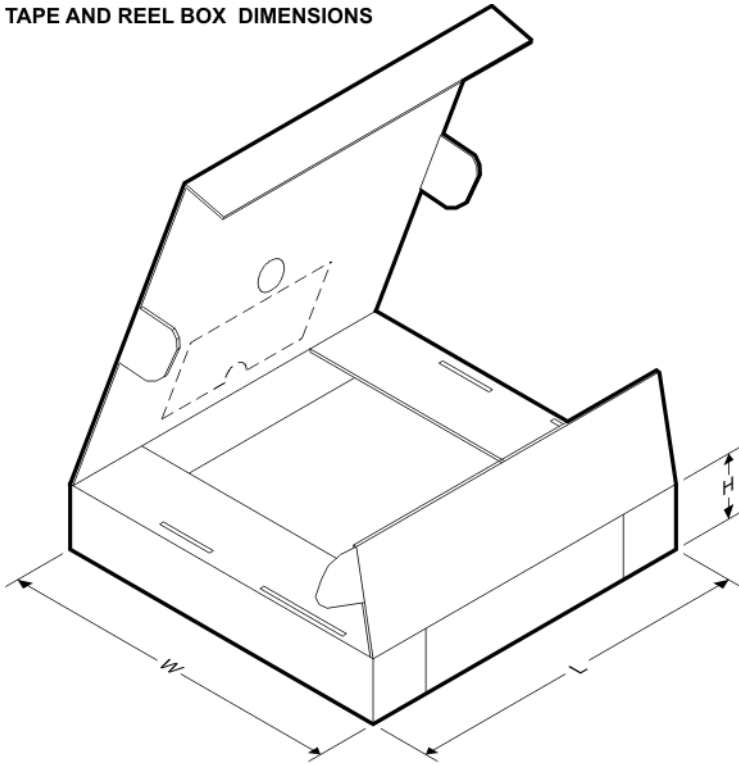
QUADRANT ASSIGNMENTS FOR PIN 1 ORIENTATION IN TAPE



*All dimensions are nominal

Device	Package Type	Package Drawing	Pins	SPQ	Reel Diameter (mm)	Reel Width W1 (mm)	A0 (mm)	B0 (mm)	K0 (mm)	P1 (mm)	W (mm)	Pin1 Quadrant
TPS5102IDBTR	TSSOP	DBT	30	2000	330.0	16.4	6.95	8.3	1.6	8.0	16.0	Q1

TAPE AND REEL BOX DIMENSIONS



*All dimensions are nominal

Device	Package Type	Package Drawing	Pins	SPQ	Length (mm)	Width (mm)	Height (mm)
TPS5102IDBTR	TSSOP	DBT	30	2000	346.0	346.0	33.0

IMPORTANT NOTICE

Texas Instruments Incorporated and its subsidiaries (TI) reserve the right to make corrections, modifications, enhancements, improvements, and other changes to its products and services at any time and to discontinue any product or service without notice. Customers should obtain the latest relevant information before placing orders and should verify that such information is current and complete. All products are sold subject to TI's terms and conditions of sale supplied at the time of order acknowledgment.

TI warrants performance of its hardware products to the specifications applicable at the time of sale in accordance with TI's standard warranty. Testing and other quality control techniques are used to the extent TI deems necessary to support this warranty. Except where mandated by government requirements, testing of all parameters of each product is not necessarily performed.

TI assumes no liability for applications assistance or customer product design. Customers are responsible for their products and applications using TI components. To minimize the risks associated with customer products and applications, customers should provide adequate design and operating safeguards.

TI does not warrant or represent that any license, either express or implied, is granted under any TI patent right, copyright, mask work right, or other TI intellectual property right relating to any combination, machine, or process in which TI products or services are used. Information published by TI regarding third-party products or services does not constitute a license from TI to use such products or services or a warranty or endorsement thereof. Use of such information may require a license from a third party under the patents or other intellectual property of the third party, or a license from TI under the patents or other intellectual property of TI.

Reproduction of TI information in TI data books or data sheets is permissible only if reproduction is without alteration and is accompanied by all associated warranties, conditions, limitations, and notices. Reproduction of this information with alteration is an unfair and deceptive business practice. TI is not responsible or liable for such altered documentation. Information of third parties may be subject to additional restrictions.

Resale of TI products or services with statements different from or beyond the parameters stated by TI for that product or service voids all express and any implied warranties for the associated TI product or service and is an unfair and deceptive business practice. TI is not responsible or liable for any such statements.

TI products are not authorized for use in safety-critical applications (such as life support) where a failure of the TI product would reasonably be expected to cause severe personal injury or death, unless officers of the parties have executed an agreement specifically governing such use. Buyers represent that they have all necessary expertise in the safety and regulatory ramifications of their applications, and acknowledge and agree that they are solely responsible for all legal, regulatory and safety-related requirements concerning their products and any use of TI products in such safety-critical applications, notwithstanding any applications-related information or support that may be provided by TI. Further, Buyers must fully indemnify TI and its representatives against any damages arising out of the use of TI products in such safety-critical applications.

TI products are neither designed nor intended for use in military/aerospace applications or environments unless the TI products are specifically designated by TI as military-grade or "enhanced plastic." Only products designated by TI as military-grade meet military specifications. Buyers acknowledge and agree that any such use of TI products which TI has not designated as military-grade is solely at the Buyer's risk, and that they are solely responsible for compliance with all legal and regulatory requirements in connection with such use.

TI products are neither designed nor intended for use in automotive applications or environments unless the specific TI products are designated by TI as compliant with ISO/TS 16949 requirements. Buyers acknowledge and agree that, if they use any non-designated products in automotive applications, TI will not be responsible for any failure to meet such requirements.

Following are URLs where you can obtain information on other Texas Instruments products and application solutions:

Products

Amplifiers	amplifier.ti.com
Data Converters	dataconverter.ti.com
DSP	dsp.ti.com
Clocks and Timers	www.ti.com/clocks
Interface	interface.ti.com
Logic	logic.ti.com
Power Mgmt	power.ti.com
Microcontrollers	microcontroller.ti.com
RFID	www.ti-rfid.com
RF/IF and ZigBee® Solutions	www.ti.com/lprf

Applications

Audio	www.ti.com/audio
Automotive	www.ti.com/automotive
Broadband	www.ti.com/broadband
Digital Control	www.ti.com/digitalcontrol
Medical	www.ti.com/medical
Military	www.ti.com/military
Optical Networking	www.ti.com/opticalnetwork
Security	www.ti.com/security
Telephony	www.ti.com/telephony
Video & Imaging	www.ti.com/video
Wireless	www.ti.com/wireless

Mailing Address: Texas Instruments, Post Office Box 655303, Dallas, Texas 75265
Copyright © 2008, Texas Instruments Incorporated