



**N-Channel Enhancement-Mode  
Vertical DMOS FETs**

**Ordering Information**

BV <sub>DSS</sub> / BV <sub>DGS</sub>	R <sub>DS(ON)</sub> (max)	V <sub>GS(th)</sub> (max)	I <sub>D(ON)</sub> (min)	Order Number / Package		
				TO-92	TO-243AA*	Die†
40V	1.8Ω	1.6V	2.0A	TN0104N3	—	TN0104ND
40V	2.0Ω	1.6V	2.0A	—	TN0104N8	—

\* Same as SOT-89. Product supplied on 2000 piece carrier tape reels.

† MIL visual screening available

**Features**

- Low threshold —1.6V max.
- High input impedance
- Low input capacitance
- Fast switching speeds
- Low on resistance
- Free from secondary breakdown
- Low input and output leakage
- Complementary N- and P-channel devices

**Applications**

- Logic level interfaces – ideal for TTL and CMOS
- Solid state relays
- Battery operated systems
- Photo voltaic drives
- Analog switches
- General purpose line drivers
- Telecom switches

**Absolute Maximum Ratings**

Drain-to-Source Voltage	BV <sub>DSS</sub>
Drain-to-Gate Voltage	BV <sub>DGS</sub>
Gate-to-Source Voltage	± 20V
Operating and Storage Temperature	-55°C to +150°C
Soldering Temperature*	300°C

\* For TO-39 and TO-92, distance of 1.6 mm from case for 10 seconds.

**Product marking for TO-243AA:**

**TN1L\***

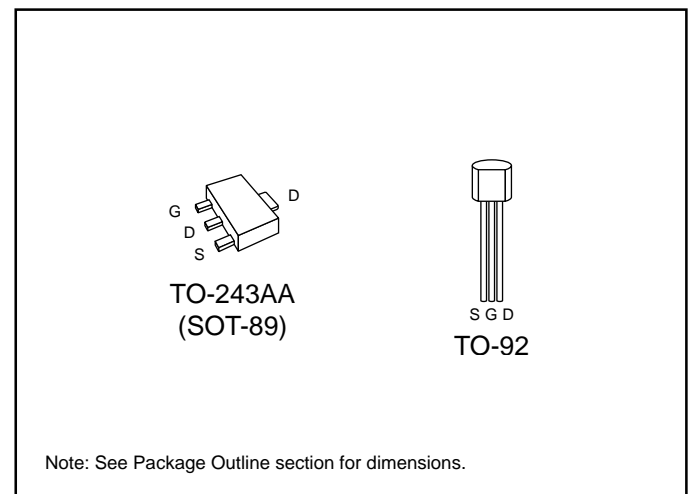
Where \*=2-week alpha date code

**Low Threshold DMOS Technology**

These low threshold enhancement-mode (normally-off) transistors utilize a vertical DMOS structure and Supertex's well-proven silicon-gate manufacturing process. This combination produces devices with the power handling capabilities of bipolar transistors and with the high input impedance and positive temperature coefficient inherent in MOS devices. Characteristic of all MOS structures, these devices are free from thermal runaway and thermally-induced secondary breakdown.

Supertex's vertical DMOS FETs are ideally suited to a wide range of switching and amplifying applications where very low threshold voltage, high breakdown voltage, high input impedance, low input capacitance, and fast switching speeds are desired.

**Package Options**



## Thermal Characteristics

Package	$I_D$ (continuous)*	$I_D$ (pulsed)	Power Dissipation @ $T_C = 25^\circ\text{C}$	$\theta_{jc}$ $^\circ\text{C/W}$	$\theta_{ja}$ $^\circ\text{C/W}$	$I_{DR}^*$	$I_{DRM}$
TO-92	0.80A	2.40A	1.0W	125	170	0.80A	2.40A
TO-243AA	1.40A	2.90A	1.6W <sup>†</sup>	15	78 <sup>†</sup>	1.40A	2.90A

\*  $I_D$  (continuous) is limited by max rated  $T_j$ .

<sup>†</sup>  $T_A = 25^\circ\text{C}$ . Mounted on FR5 Board, 25mm x 25mm x 1.57mm. Significant  $P_D$  increase possible on ceramic substrate.

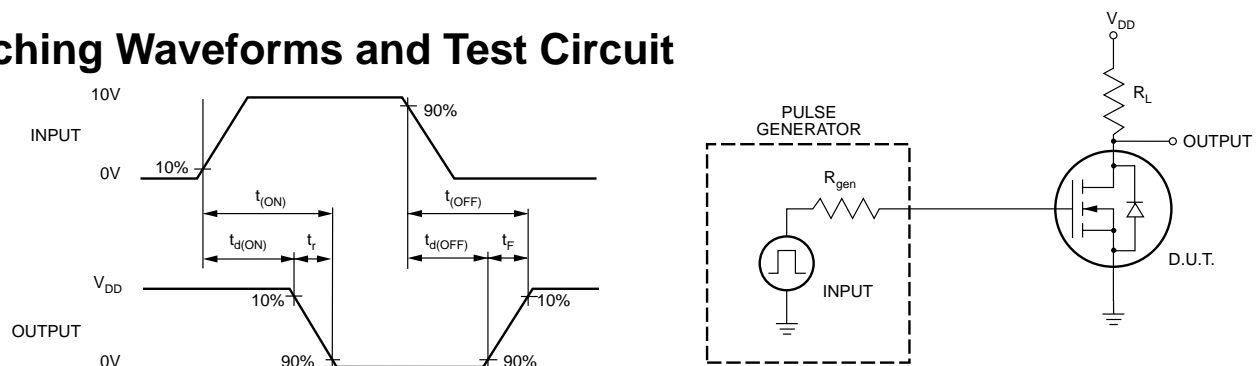
## Electrical Characteristics (@ $25^\circ\text{C}$ unless otherwise specified)

Symbol	Parameter		Min	Typ	Max	Unit	Conditions
$BV_{DSS}$	Drain-to-Source Breakdown Voltage		40			V	$V_{GS} = 0V, I_D = 1.0mA$
$V_{GS(th)}$	Gate Threshold Voltage		0.6		1.6	V	$V_{GS} = V_{DS}, I_D = 500\mu A$
$\Delta V_{GS(th)}$	Change in $V_{GS(th)}$ with Temperature			-3.8	-5.0	mV/ $^\circ\text{C}$	$V_{GS} = V_{DS}, I_D = 1.0mA$
$I_{GSS}$	Gate Body Leakage			0.1	100	nA	$V_{GS} = \pm 20V, V_{DS} = 0V$
$I_{DSS}$	Zero Gate Voltage Drain Current				1	$\mu A$	$V_{GS} = 0V, V_{DS} = \text{Max Rating}$
					100	$\mu A$	$V_{GS} = 0V, V_{DS} = 0.8 \text{ Max Rating}$ $T_A = 125^\circ\text{C}$
$I_{D(ON)}$	ON-State Drain Current			0.35		A	$V_{GS} = 3V, V_{DS} = 20V$
			0.5	1.1	$V_{GS} = 5V, V_{DS} = 20V$		
			2.0	2.6	$V_{GS} = 10V, V_{DS} = 20V$		
$R_{DS(ON)}$	Static Drain-to-Source ON-State Resistance	All Packages		5.0		$\Omega$	$V_{GS} = 3V, I_D = 50mA$
				2.3	2.5		$V_{GS} = 5V, I_D = 250mA$
		TO-92		1.5	1.8		$V_{GS} = 10V, I_D = 1A$
		TO-243AA			2.0		$V_{GS} = 10V, I_D = 1A$
$\Delta R_{DS(ON)}$	Change in $R_{DS(ON)}$ with Temperature			0.7	1.0	%/ $^\circ\text{C}$	$V_{GS} = 10V, I_D = 1A$
$G_{FS}$	Forward Transconductance		0.34	0.45		$\text{S}$	$V_{DS} = 20V, I_D = 0.5A$
$C_{ISS}$	Input Capacitance				70	pF	$V_{GS} = 0V, V_{DS} = 20V$ $f = 1 \text{ MHz}$
$C_{OSS}$	Common Source Output Capacitance				50		
$C_{RSS}$	Reverse Transfer Capacitance				15		
$t_{d(ON)}$	Turn-ON Delay Time			3.0	5.0	ns	$V_{DD} = 20V, I_D = 1A$ $R_{GEN} = 25\Omega$
$t_r$	Rise Time			7.0	8.0		
$t_{d(OFF)}$	Turn-OFF Delay Time			6.0	9.0		
$t_f$	Fall Time			5.0	8.0		
$V_{SD}$	Diode Forward	TO-92		1.2	1.8	V	$V_{GS} = 0V, I_{SD} = 1.0A$
	Voltage Drop	TO-243AA			2.0		$V_{GS} = 0V, I_{SD} = 0.5A$
$t_{rr}$	Reverse Recovery Time			300		ns	$V_{GS} = 0V, I_{SD} = 1A$

### Notes:

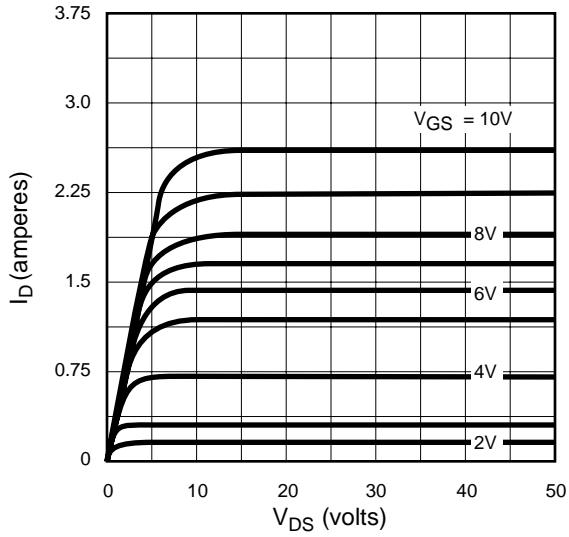
- All D.C. parameters 100% tested at  $25^\circ\text{C}$  unless otherwise stated. (Pulse test: 300 $\mu\text{s}$  pulse, 2% duty cycle.)
- All A.C. parameters sample tested.

## Switching Waveforms and Test Circuit

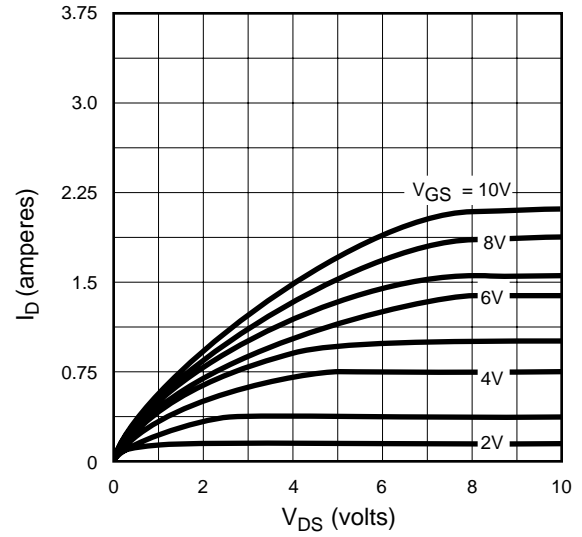


# Typical Performance Curves

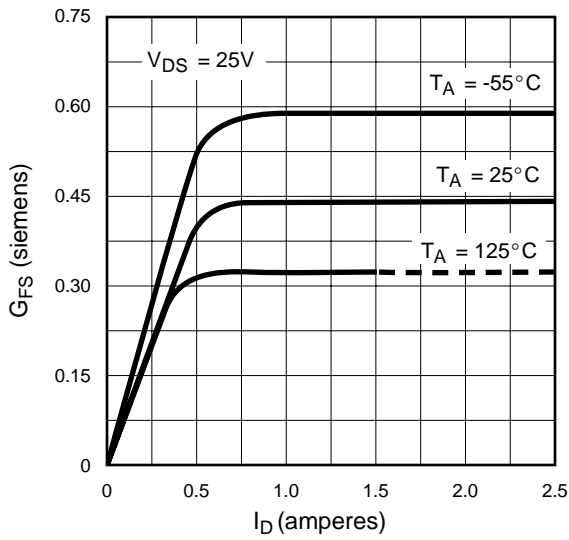
Output Characteristics



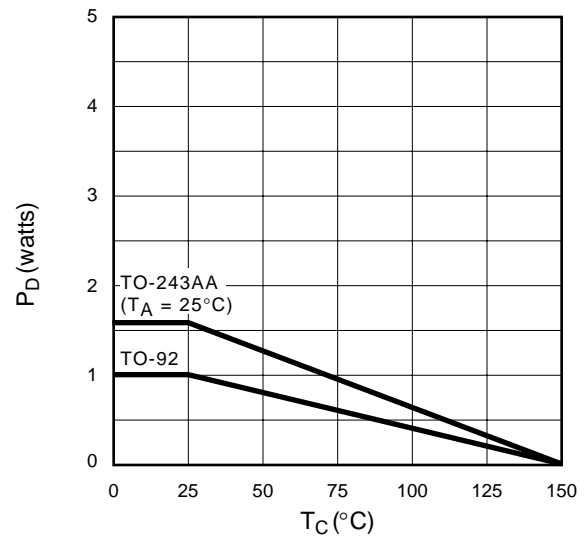
Saturation Characteristics



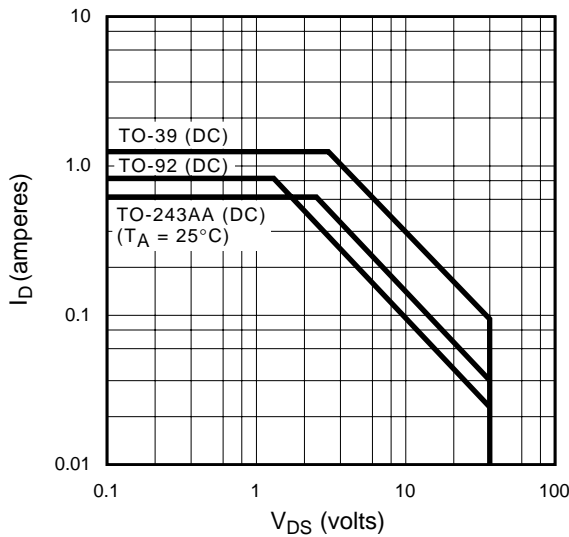
Transconductance vs. Drain Current



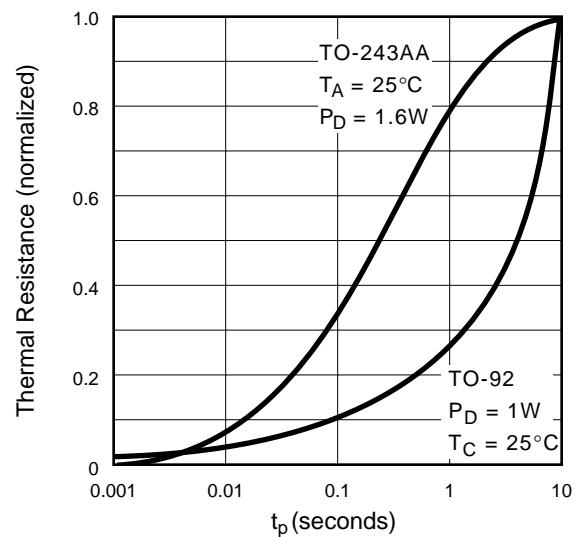
Power Dissipation vs. Case Temperature



Maximum Rated Safe Operating Area

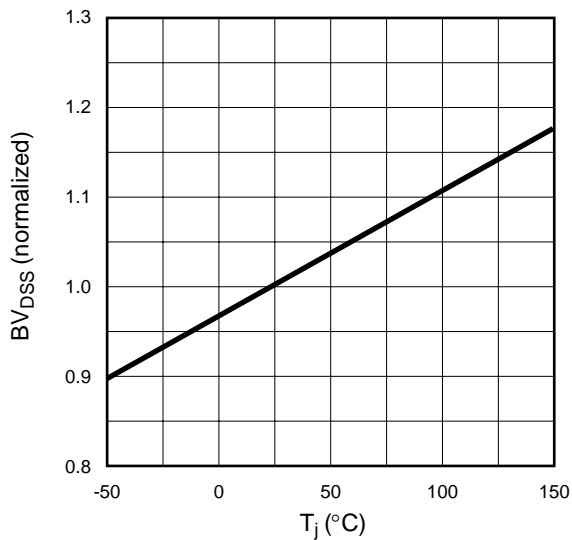


Thermal Response Characteristics

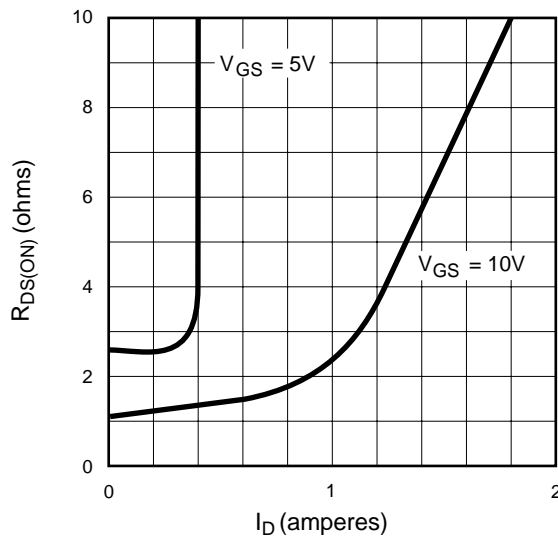


# Typical Performance Curves

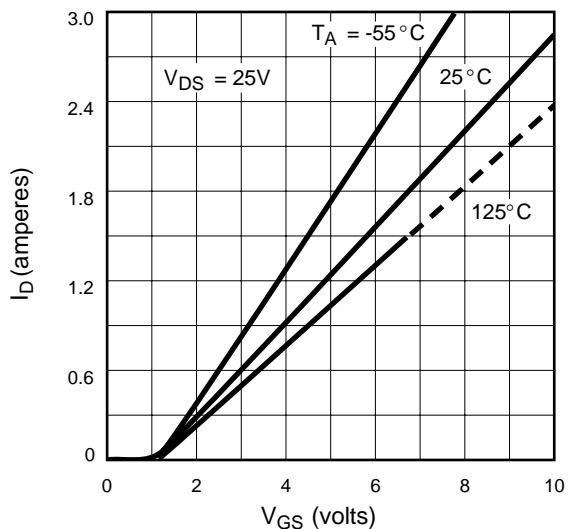
BV<sub>DSS</sub> Variation with Temperature



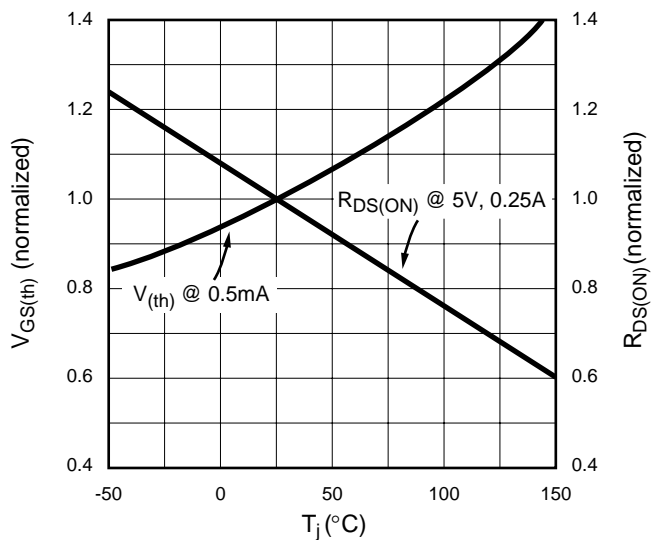
On-Resistance vs. Drain Current



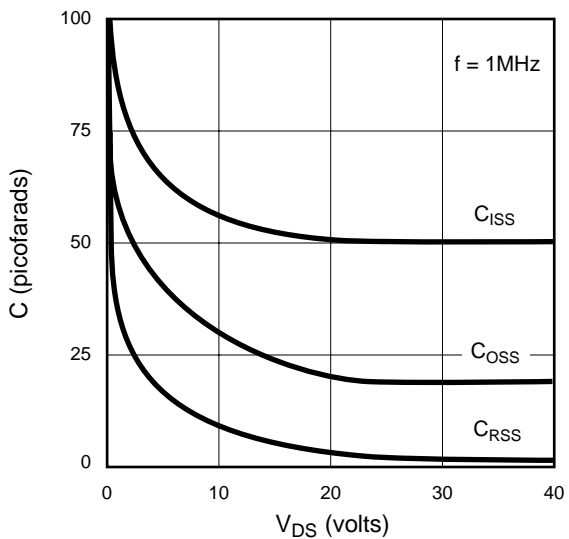
Transfer Characteristics



V<sub>(th)</sub> and R<sub>DS</sub> Variation with Temperature



Capacitance vs. Drain-to-Source Voltage



Gate Drive Dynamic Characteristics

