

TL066AC, TL066C, TL066I, TL066M ADJUSTABLE LOW-POWER JFET-INPUT OPERATIONAL AMPLIFIERS

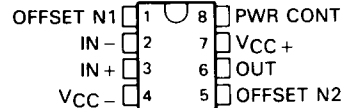
D2494, FEBRUARY 1979—REVISED OCTOBER 1990

4 DEVICES COVER COMMERCIAL, INDUSTRIAL, AND MILITARY TEMPERATURE RANGES

- Very Low, Adjustable ("Programmable") Power Consumption
- Adjustable Supply Current . . . 5 μ A to 200 μ A
- Very Low Input Bias and Offset Currents
- Wide Supply Range . . . ± 1.2 V to ± 18 V
- Wide Common-Mode and Differential Voltage Range
- Output Short-Circuit Protection
- High Input Impedance . . . JFET-Input Stage
- Unity-Gain Bandwidth . . . 1 MHz Typ (100 kHz at 25 μ W)
- High Slew Rate . . . 3.5 V/ μ s Typ
- Internal Frequency Compensation
- Latch-Up-Free Operation
- Common-Mode Input Voltage Range Includes V_{CC+}

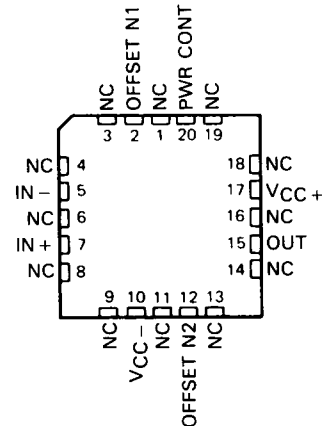
TL066AC, TL066C, TL066I . . . D OR P PACKAGE TL066M . . . JG PACKAGE

(TOP VIEW)



TL066M . . . FK PACKAGE

(TOP VIEW)



NC—No internal connection

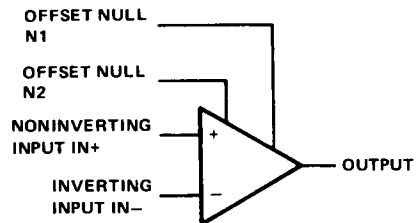
TL066M IS NOT RECOMMENDED FOR NEW DESIGNS

description

The TL066 series are JFET-input operational amplifiers similar to the TL061 with the additional feature of being power-adjustable. They feature very low input offset and bias currents, high input impedance, wide bandwidth, and high slew rate. The power-control feature permits the amplifiers to be adjusted to require as little as 25 μ W of power. This type of amplifier, which provides for changing several characteristics by varying one external element, is sometimes referred to as being "programmable." The JFET-input stage combined with the adjustable-low-power feature results in superior bandwidth and slew-rate performance compared to low-power bipolar-input devices.

The TL066AC and TL066C are characterized for operation from 0°C to 70°C. The TL066I is characterized for operation from -40°C to 85°C; the TL066M is characterized for operation over the full military temperature range of -55°C to 125°C.

symbol



PRODUCTION DATA documents contain information current as of publication date. Products conform to specifications per the terms of Texas Instruments standard warranty. Production processing does not necessarily include testing of all parameters.

TEXAS
INSTRUMENTS

POST OFFICE BOX 655303 • DALLAS, TEXAS 75265

Copyright © 1990, Texas Instruments Incorporated

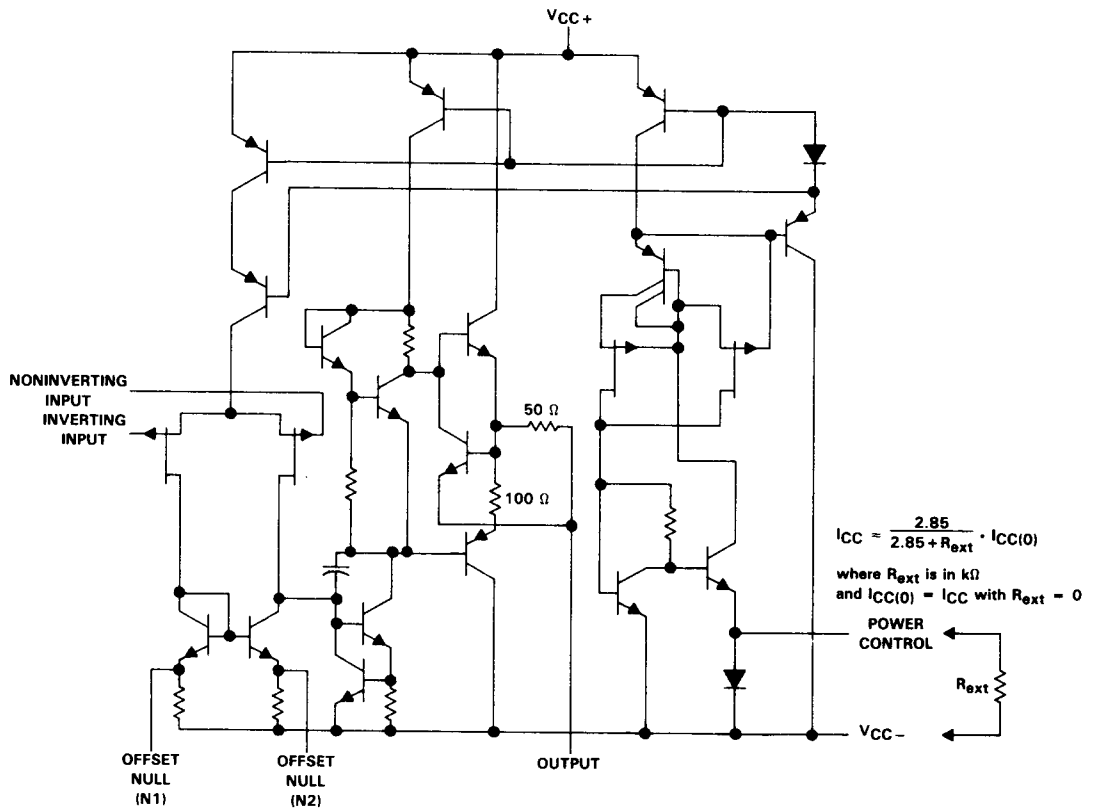
TL066AC, TL066C, TL066I, TL066M ADJUSTABLE LOW-POWER JFET-INPUT OPERATIONAL AMPLIFIERS

AVAILABLE OPTIONS

T _A	V _{IO} MAX AT 25 °C	PACKAGE			
		SMALL-OUTLINE (D)	CHIP-CARRIER (FK)	CERAMIC DIP (JG)	PLASTIC DIP (P)
0 °C to 70 °C	15 mV 6 mV	TL066CD TL066ACD			TL066CP TL066ACP
-40 °C to 85 °C	6 mV	TL066ID			TL066IP
-55 °C to 125 °C	6 mV		TL066MFK	TL066MJG	

The D package is available taped and reeled. Add the suffix "R" to the device type, (e.g., TL066CDR).

schematic



Component values shown are nominal.

TL066AC, TL066C, TL066I, TL066M ADJUSTABLE LOW-POWER JFET-INPUT OPERATIONAL AMPLIFIERS

absolute maximum ratings over operating free-air temperature range (unless otherwise noted)

	TL066AC, TL066C	TL066I	TL066M	UNIT
Supply voltage, V_{CC+} (see Note 1)	18	18	18	V
Supply voltage, V_{CC-} (see Note 1)	-18	-18	-18	V
Differential input voltage (see Note 2)	± 30	± 30	± 30	V
Input voltage (see Notes 1 and 3)	± 15	± 15	± 15	V
Voltage between power-control terminal and V_{CC-}	± 0.5	± 0.5	± 0.5	V
Duration of output short circuit (see Note 4)	unlimited	unlimited	unlimited	
Continuous total dissipation	See Dissipation Rating Table			
Operating free-air temperature range	0 to 70	-40 to 85	-55 to 125	$^{\circ}\text{C}$
Storage temperature range	-65 to 150	-65 to 150	-65 to 150	$^{\circ}\text{C}$
Case temperature for 60 seconds	FK package		260	$^{\circ}\text{C}$
Lead temperature 1,6 mm (1/16 inch) from case for 60 seconds	JG package		300	$^{\circ}\text{C}$
Lead temperature 1,6 mm (1/16 inch) from case for 10 seconds	D or P package	260	260	$^{\circ}\text{C}$

- NOTES: 1. All voltage values, except differential voltages, are with respect to the midpoint between V_{CC+} and V_{CC-} .
 2. Differential voltages are at the noninverting input terminal with respect to the inverting input terminal.
 3. The magnitude of the input voltage must never exceed the magnitude of the supply voltage or 15 V, whichever is less.
 4. The output may be shorted to ground or to either supply. Temperature and/or supply voltages must be limited to ensure that the dissipation rating is not exceeded.

DISSIPATION RATING TABLE

PACKAGE	$T_A \leq 25^{\circ}\text{C}$ POWER RATING	DERATING FACTOR	DERATE ABOVE T_A	$T_A = 70^{\circ}\text{C}$ POWER RATING	$T_A = 85^{\circ}\text{C}$ POWER RATING	$T_A = 125^{\circ}\text{C}$ POWER RATING
D	680 mW	5.8 mW/ $^{\circ}\text{C}$	33 $^{\circ}\text{C}$	464 mW	377 mW	N/A
FK	680 mW	11.0 mW/ $^{\circ}\text{C}$	88 $^{\circ}\text{C}$	680 mW	680 mW	275 mW
JG	680 mW	8.4 mW/ $^{\circ}\text{C}$	69 $^{\circ}\text{C}$	672 mW	546 mW	210 mW
P	680 mW	8.0 mW/ $^{\circ}\text{C}$	65 $^{\circ}\text{C}$	640 mW	520 mW	N/A

TL066C, TL066I, TL066M ADJUSTABLE LOW-POWER JFET-INPUT OPERATIONAL AMPLIFIERS

electrical characteristics, $V_{CC} = \pm 15\text{ V}$

PARAMETER	TEST CONDITIONS†	TL066C			TL066I			TL066M			UNIT
		MIN	TYP	MAX	MIN	TYP	MAX	MIN	TYP	MAX	
V_{IO} Input offset voltage	$V_O = 0$, $T_A = 25^\circ\text{C}$, $R_S = 50\ \Omega$,	3	15	6	3	6	6	3	6	6	mV
	$V_O = 0$, $T_A = \text{full range}$, $R_S = 50\ \Omega$,		20	9		9	9		9	9	
α_{VIO} Temperature coefficient of input offset voltage	$V_O = 0$, $T_A = \text{full range}$, $R_S = 50\ \Omega$,		10	10		10	10		10	10	$\mu\text{V}/^\circ\text{C}$
	$V_O = 0$, $T_A = 25^\circ\text{C}$, $T_A = \text{full range}$	5	200	5	5	100	5	5	100	5	pA
I_{IO} Input offset current‡	$V_O = 0$, $T_A = \text{full range}$		5	10		10	10		20	20	nA
	$V_O = 0$, $T_A = 25^\circ\text{C}$	30	400	30	30	200	30	30	200	30	pA
I_{IB} Input bias current‡	$V_O = 0$, $T_A = \text{full range}$		10	20		20	20		50	50	nA
	$T_A = 25^\circ\text{C}$	± 11	-12 to +15	± 11.5 to +15	-12 to +15	± 11.5 to +15	-12 to +15	-12 to +15	± 11.5 to +15	-12 to +15	V
VICR Common-mode input voltage range	$T_A = 25^\circ\text{C}$, $R_L \geq 10\ \text{k}\Omega$	$\pm 10 \pm 13.5$		$\pm 10 \pm 13.5$	$\pm 10 \pm 13.5$		$\pm 10 \pm 13.5$	$\pm 10 \pm 13.5$		$\pm 10 \pm 13.5$	V
	$T_A = \text{full range}$, $R_L \geq 10\ \text{k}\Omega$, $V_O = \pm 10\ \text{V}$,	$\pm 10 \pm 13.5$		$\pm 10 \pm 13.5$	$\pm 10 \pm 13.5$		$\pm 10 \pm 13.5$	$\pm 10 \pm 13.5$		$\pm 10 \pm 13.5$	V
VOM Maximum peak output voltage swing	$T_A = 25^\circ\text{C}$, $R_L \geq 10\ \text{k}\Omega$, $V_O = \pm 10\ \text{V}$,	3	6	4	4	6	4	4	6	6	V/mV
	$T_A = \text{full range}$, $R_L \geq 10\ \text{k}\Omega$, $V_O = \pm 10\ \text{V}$,	3			3			3		4	V/mV
AVD Large-signal differential voltage amplification	$T_A = 25^\circ\text{C}$, $R_L = 10\ \text{k}\Omega$	1		1	1		1	1		1	MHz
	$T_A = 25^\circ\text{C}$, $f = 1\ \text{kHz}$	1012		1012	1012		1012	1012		1012	Ω
B_1 Unity-gain bandwidth	$T_A = 25^\circ\text{C}$, $f = 1\ \text{kHz}$	220		220	220		220	220		220	Ω
	$T_A = 25^\circ\text{C}$, $f = 1\ \text{kHz}$	70	76	80	80	86	80	86	80	86	dB
CMRR Common-mode rejection ratio	$V_{IC} = V_{ICR}\ \text{min}$, $V_O = 0$, $R_S = 50\ \Omega$, $T_A = 25^\circ\text{C}$	70	76	80	80	86	80	86	80	86	dB
	$V_{CC} = \pm 9\ \text{V}$ to $\pm 15\ \text{V}$, $V_O = 0$, $R_S = 50\ \Omega$, $T_A = 25^\circ\text{C}$	70	95	80	80	95	80	95	80	95	dB
kSVR Supply voltage rejection ratio ($\Delta V_{CC} \pm / \Delta V_{IO}$)	$V_O = 0$, No load, $T_A = 25^\circ\text{C}$	6	7.5	6	6	7.5	6	7.5	6	7.5	mW
	$V_O = 0$, No load, $T_A = 25^\circ\text{C}$	200	250	200	200	250	200	250	200	250	μA

† All characteristics are measured under open-loop conditions with zero common-mode input voltage unless otherwise specified. Full range of T_A is 0°C to 70°C for TL066C; -40°C to 85°C for TL066I; and -55°C to 125°C for TL066M. The electrical parameters are measured with the power-control terminal (pin 8) connected to V_{CC} .

‡ Input bias currents of a FET-input operational amplifier are normal junction reverse currents, which are temperature-sensitive. Pulse techniques must be used that will maintain the junction temperature as close to the ambient temperature as possible.

TL066AC

ADJUSTABLE LOW-POWER JFET-INPUT OPERATIONAL AMPLIFIERS

electrical characteristics, $V_{CC} = \pm 15 \text{ V}$

PARAMETER	TEST CONDITIONS†	TL066AC			UNIT
		MIN	TYP	MAX	
V_{IO} Input offset voltage	$V_O = 0,$ $T_A = 25^\circ\text{C}$ $R_S = 50 \Omega,$		3	6	mV
	$V_O = 0,$ $A = \text{full range}$ $R_S = 50 \Omega,$			7.5	
αV_{IO} Temperature coefficient of input offset voltage	$V_O = 0,$ $T_A = \text{full range}$ $R_S = 50 \Omega,$		10		$\mu\text{V}/^\circ\text{C}$
I_{IO} Input offset current‡	$V_O = 0,$ $T_A = 25^\circ\text{C}$		5	100	pA
	$V_O = 0,$ $T_A = \text{full range}$			3	nA
I_{IB} Input bias current‡	$V_O = 0,$ $T_A = 25^\circ\text{C}$		30	200	pA
	$V_O = 0,$ $T_A = \text{full range}$			7	nA
V_{ICR} Common-mode input voltage range	$T_A = 25^\circ\text{C}$	± 11.5	-12 to ± 15		V
V_{OM} Maximum peak output voltage swing	$T_A = 25^\circ\text{C},$ $R_L \geq 10 \text{ k}\Omega,$	± 10	± 13.5		V
	$T_A = \text{full range},$ $R_L \geq 10 \text{ k}\Omega$	± 10	± 13.5		
A_{VD} Large-signal differential voltage amplification	$R_L \geq 10 \text{ k}\Omega,$ $T_A = 25^\circ\text{C}$ $V_O = \pm 10 \text{ V},$	4	6		V/mV
	$R_L \geq 10 \text{ k}\Omega,$ $T_A = \text{full range}$ $V_O = \pm 10 \text{ V},$	4			
B_1 Unity-gain bandwidth	$T_A = 25^\circ\text{C},$ $R_L = 10 \text{ k}\Omega$		1		MHz
r_i Input resistance	$T_A = 25^\circ\text{C}$		1012		Ω
r_o Output resistance	$T_A = 25^\circ\text{C},$ $f = 1 \text{ kHz}$		220		Ω
CMRR Common-mode rejection ratio	$V_{IC} = V_{ICR} \text{ min},$ $R_S = 50 \Omega,$ $V_O = 0,$ $T_A = 25^\circ\text{C}$	80	86		dB
k_{SVR} Supply voltage rejection ratio ($\Delta V_{CC} \pm / \Delta V_{IO}$)	$V_{CC} = \pm 9 \text{ V to } \pm 15 \text{ V},$ $R_S = 50 \Omega,$ $V_O = 0,$ $T_A = 25^\circ\text{C}$	80	95		dB
P_D Total power dissipation	No load, $T_A = 25^\circ\text{C}$ $V_O = 0,$		6	7.5	mW
I_{CC} Supply current	No load, $T_A = 25^\circ\text{C}$ $V_O = 0,$		200	250	μA

† All characteristics are measured under open-loop conditions with zero common-mode input voltage unless otherwise specified. Full range of T_A is 0°C to 70°C . The electrical parameters are measured with the power-control terminal connected to $V_{CC} -$.

‡ Input bias currents of a FET-input operational amplifier are normal junction reverse currents, which are temperature-sensitive. Pulse techniques must be used that will maintain the junction temperature as close to the ambient temperature as possible.

TL066AC, TL066C, TL066I, TL066M
ADJUSTABLE LOW-POWER JFET-INPUT OPERATIONAL AMPLIFIERS

operating characteristics, $V_{CC\pm} = \pm 15\text{ V}$, $T_A = 25^\circ\text{C}$, $R_{\text{ext}} = 0$

PARAMETER		TEST CONDITIONS		MIN	TYP	MAX	UNIT
SR	Slew rate at unity gain	$V_I = 10\text{ V}$, $C_L = 100\text{ pF}$,	$R_L = 10\text{ k}\Omega$, See Figure 1	1.5	3.5		$\text{V}/\mu\text{s}$
t_r	Rise time	$V_I = 20\text{ mV}$,	$R_L = 10\text{ k}\Omega$		0.2		μs
	Overshoot factor	$C_L = 100\text{ pF}$,	See Figure 1		10%		
V_n	Equivalent input noise voltage	$R_S = 100\ \Omega$,	$f = 1\text{ kHz}$		42		$\text{nV}/\sqrt{\text{Hz}}$

PARAMETER MEASUREMENT INFORMATION

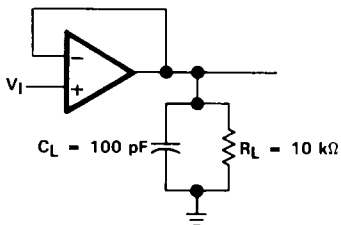


FIGURE 1. UNITY-GAIN AMPLIFIER

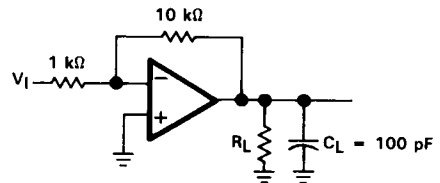


FIGURE 2. GAIN-OF-10 INVERTING AMPLIFIER

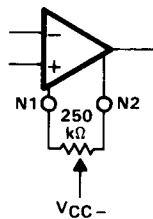


FIGURE 3. INPUT OFFSET VOLTAGE NULL CIRCUIT

TL066AC, TL066C, TL066I, TL066M
ADJUSTABLE LOW-POWER JFET-INPUT OPERATIONAL AMPLIFIERS

TYPICAL CHARACTERISTICS†

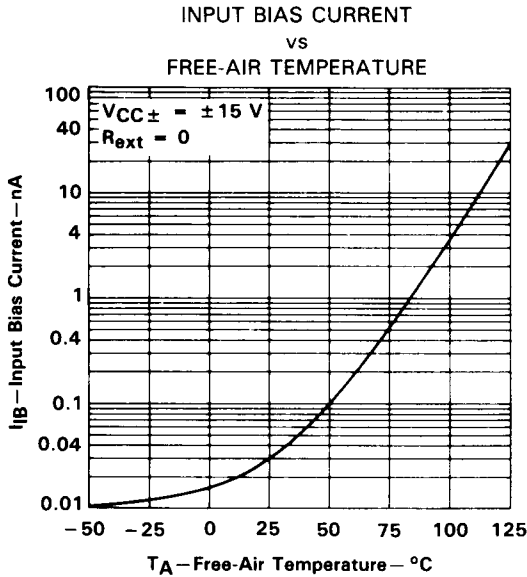


FIGURE 4

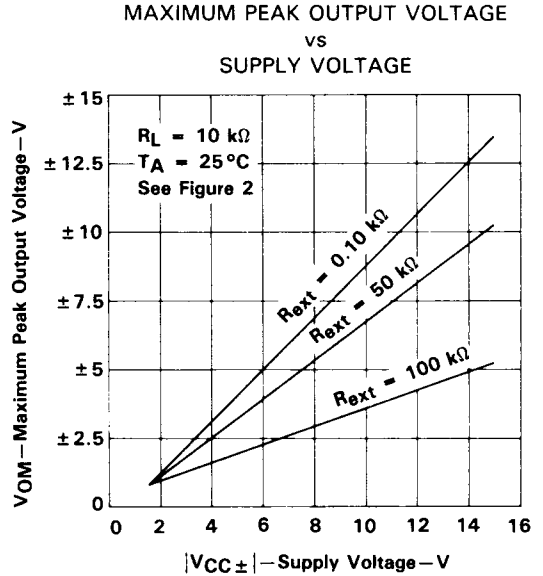


FIGURE 5

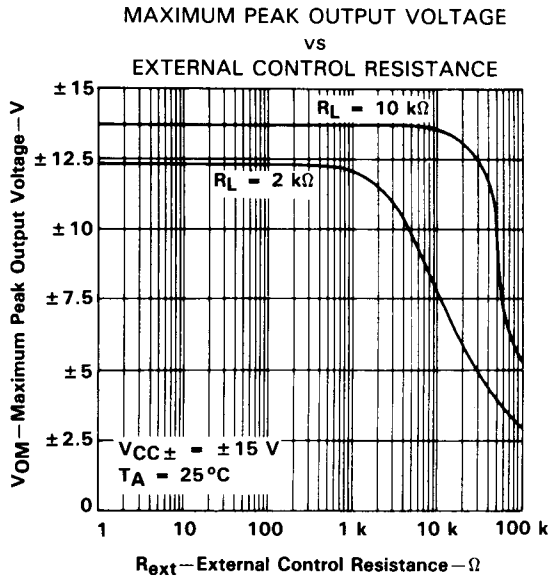


FIGURE 6

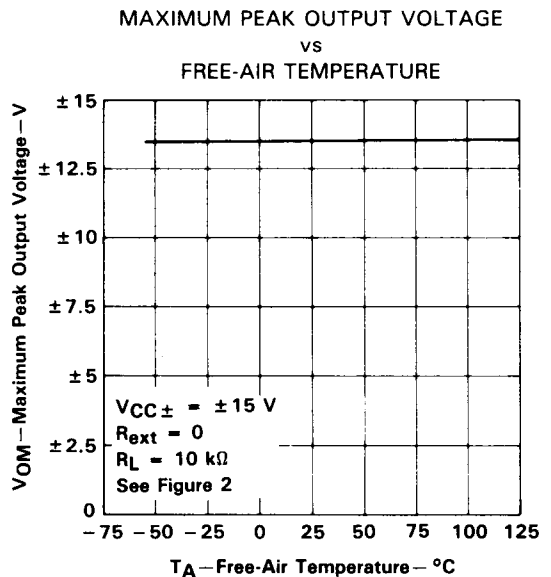


FIGURE 7

† Data at high and low temperatures are applicable only within the rated free-air temperature ranges of the various devices.

TL066AC, TL066C, TL066I, TL066M
ADJUSTABLE LOW-POWER JFET-INPUT OPERATIONAL AMPLIFIERS

TYPICAL CHARACTERISTICS†

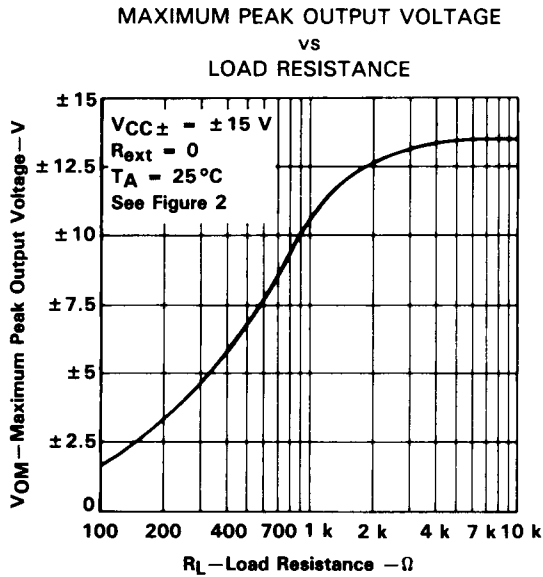


FIGURE 8

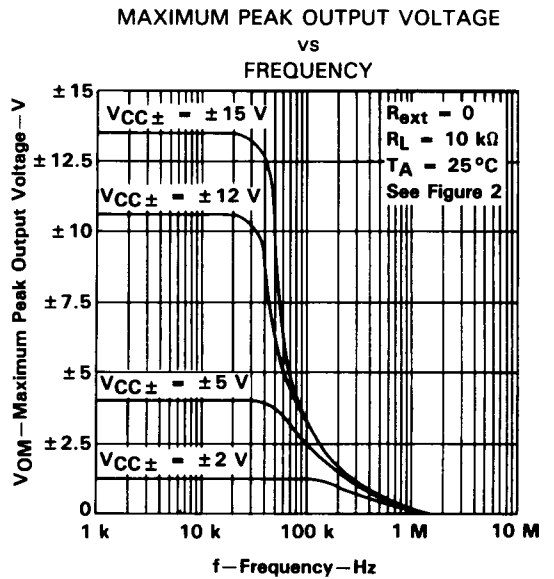


FIGURE 9

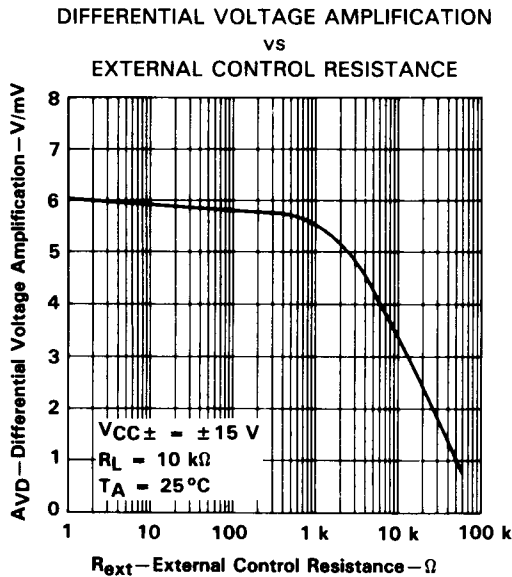


FIGURE 10

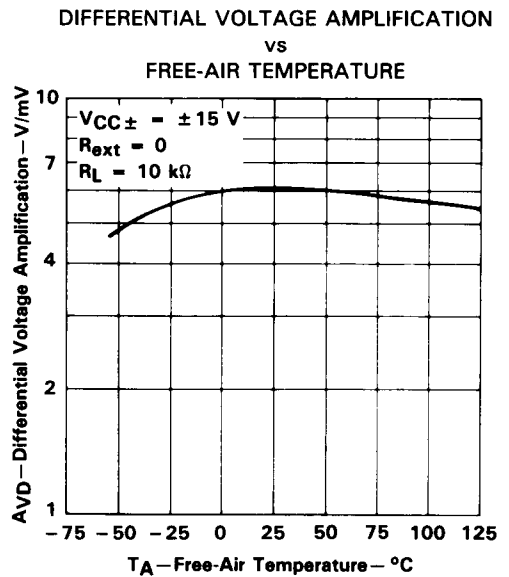


FIGURE 11

†Data at high and low temperatures are applicable only within the rated free-air temperature ranges of the various devices.

TYPICAL CHARACTERISTICS†

LARGE SIGNAL
 DIFFERENTIAL VOLTAGE AMPLIFICATION
 AND PHASE SHIFT
 vs
 FREQUENCY

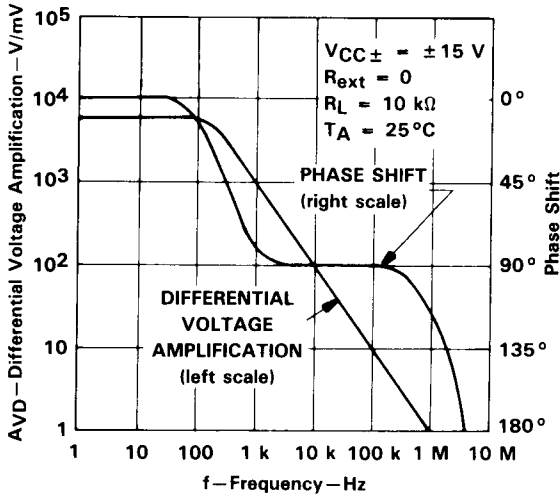


FIGURE 12

SUPPLY CURRENT
 vs
 SUPPLY VOLTAGE

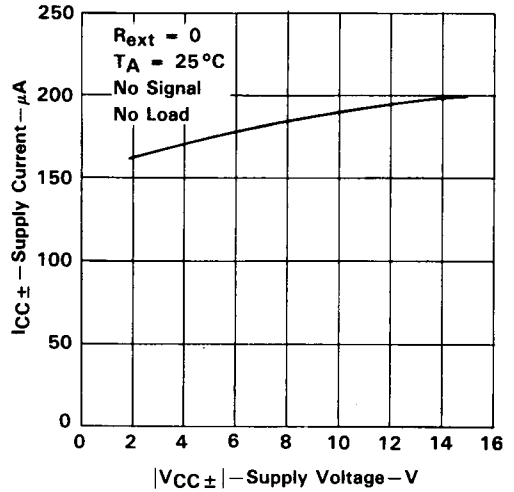


FIGURE 13

SUPPLY CURRENT
 vs
 EXTERNAL CONTROL RESISTANCE

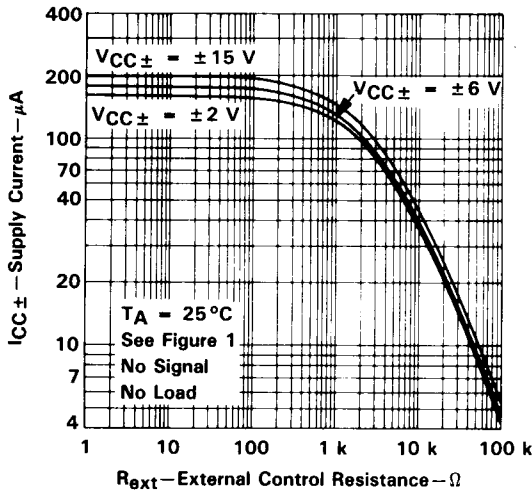


FIGURE 14

SUPPLY CURRENT
 vs
 FREE-AIR TEMPERATURE

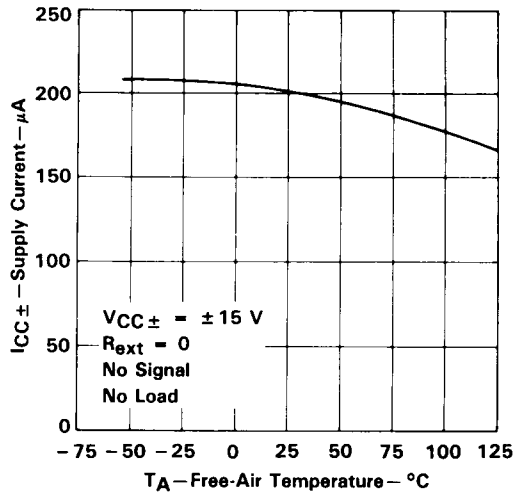


FIGURE 15

†Data at high and low temperatures are applicable only within the rated free-air temperature ranges of the various devices.

TL066C, TL066AC, TL066I, TL066M
ADJUSTABLE LOW-POWER JFET-INPUT OPERATIONAL AMPLIFIERS

TYPICAL CHARACTERISTICS†

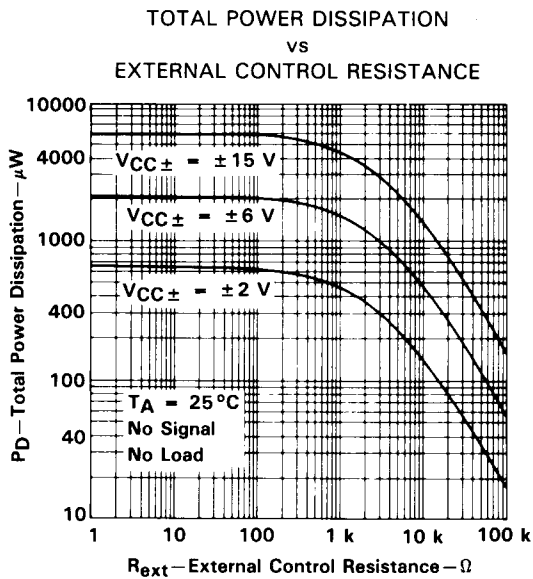


FIGURE 16

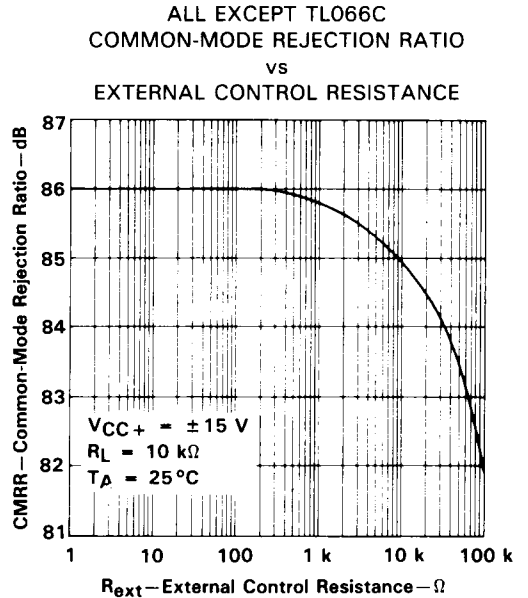


FIGURE 17

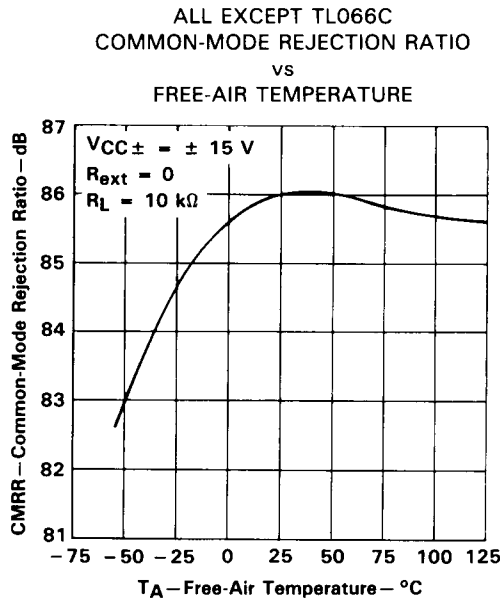


FIGURE 18

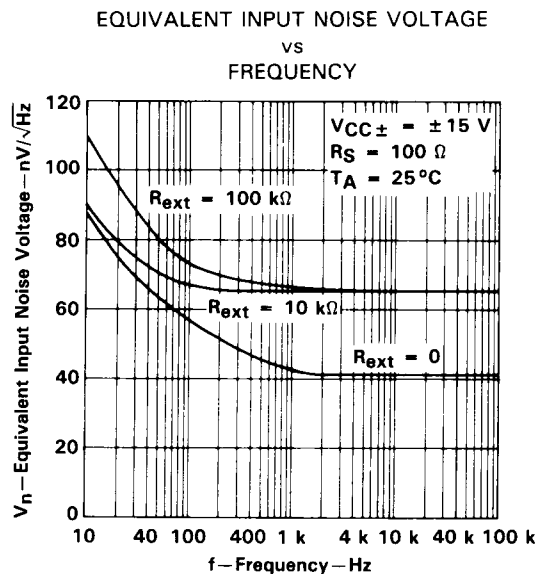


FIGURE 19

† Data at high and low temperatures are applicable only within the rated free-air temperature ranges of the various devices.

TL066AC, TL066C, TL066I, TL066M ADJUSTABLE LOW-POWER JFET-INPUT OPERATIONAL AMPLIFIERS

TYPICAL CHARACTERISTICS†

EQUIVALENT INPUT NOISE VOLTAGE
vs
SOURCE RESISTANCE

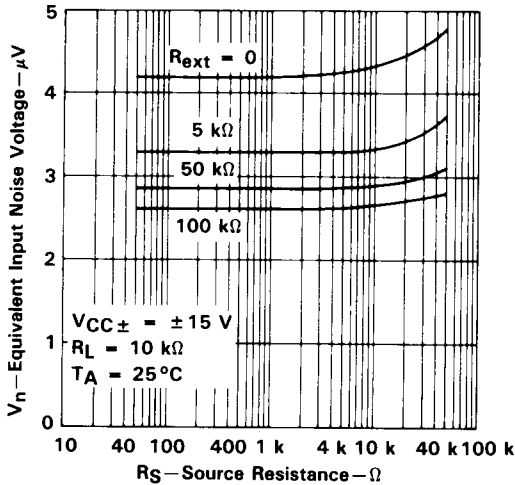


FIGURE 20

UNITY GAIN BANDWIDTH
vs
EXTERNAL CONTROL RESISTANCE

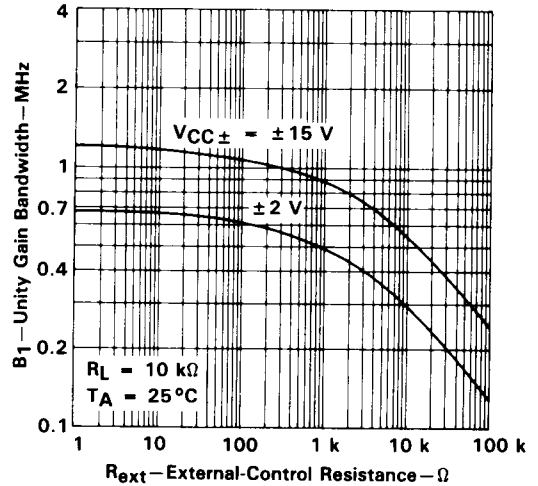


FIGURE 21

SLEW RATE
vs
EXTERNAL CONTROL RESISTANCE

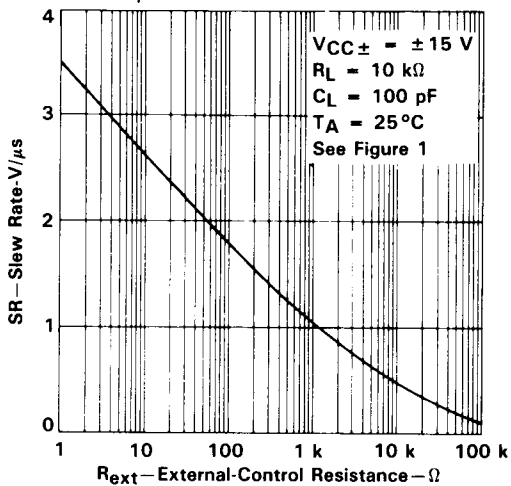


FIGURE 22

NORMALIZED UNITY GAIN BANDWIDTH
SLEW RATE, AND PHASE SHIFT
vs
FREE-AIR TEMPERATURE

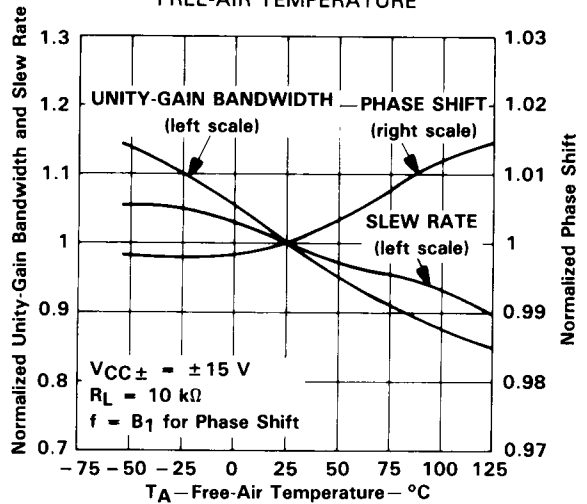


FIGURE 23

†Data at high and low temperatures are applicable only within the rated free-air temperature ranges of the various devices.

TL066AC, TL066C, TL066I, TL066M ADJUSTABLE LOW-POWER JFET-INPUT OPERATIONAL AMPLIFIERS

TYPICAL CHARACTERISTICS†

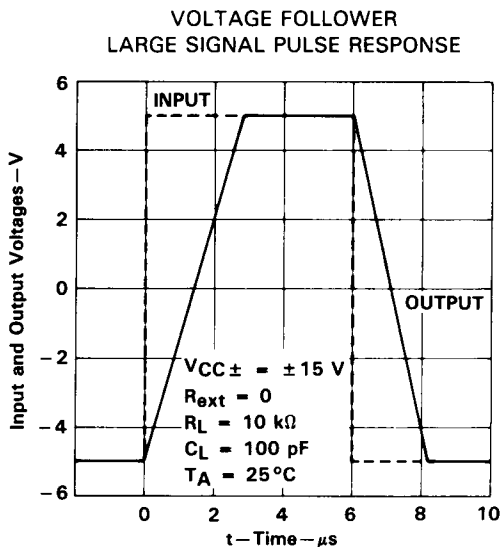


FIGURE 24

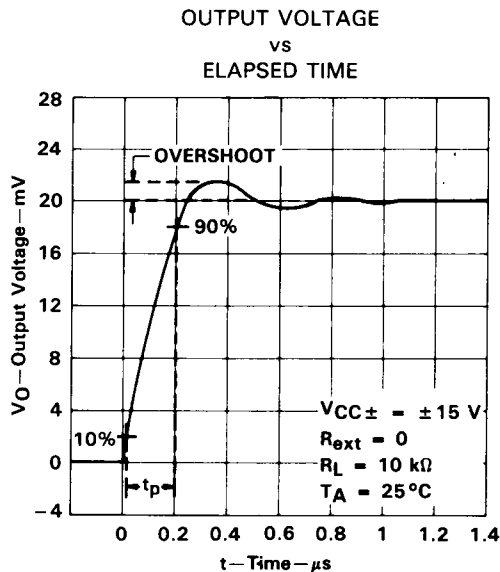


FIGURE 25

†Data at high and low temperatures are applicable only within the rated free-air temperature ranges of the various devices.

TYPICAL APPLICATION DATA

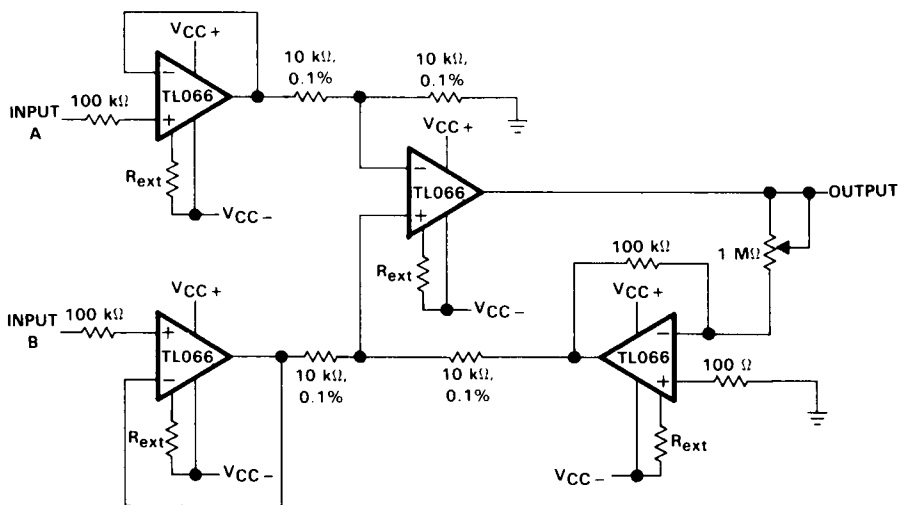


FIGURE 26. INSTRUMENTATION AMPLIFIER

TL066AC, TL066C, TL066I, TL066M
ADJUSTABLE LOW-POWER JFET-INPUT OPERATIONAL AMPLIFIERS

TYPICAL APPLICATION DATA

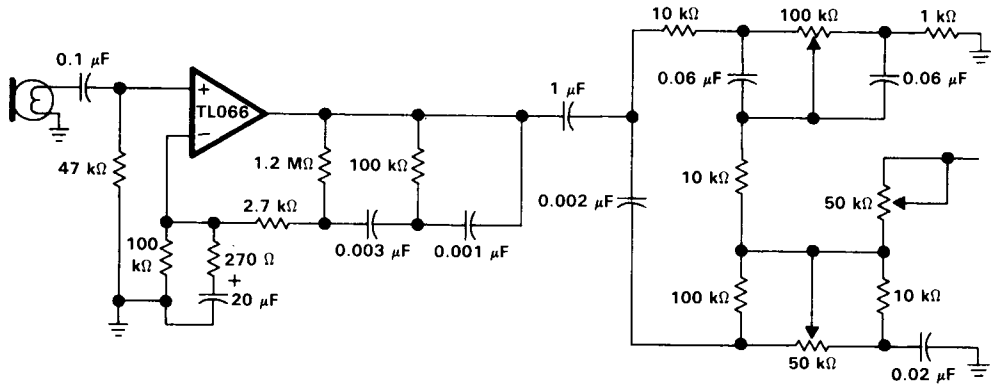


FIGURE 27. MICROPHONE PREAMPLIFIER WITH TONE CONTROL

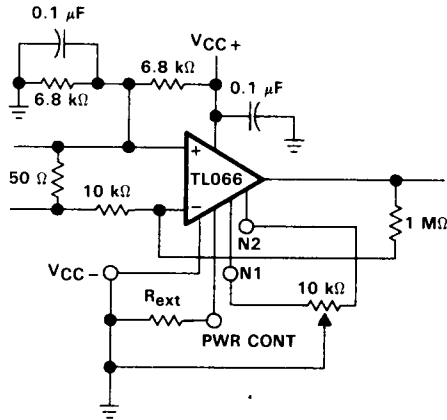


FIGURE 28. AC AMPLIFIER

TL066AC
ADJUSTABLE LOW-POWER JFET-INPUT OPERATIONAL AMPLIFIER

TYPICAL APPLICATION DATA

IC PREAMPLIFIER RESPONSE CHARACTERISTICS

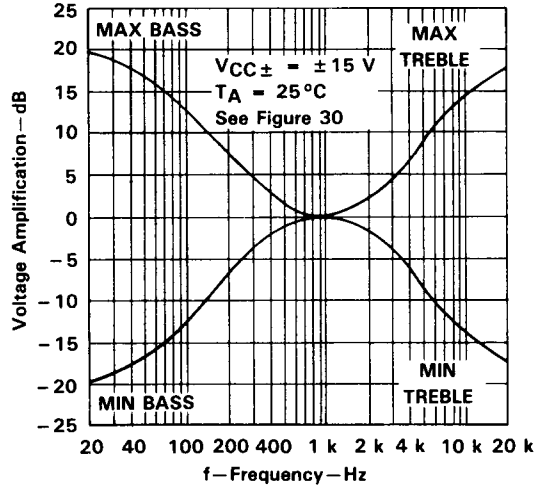


FIGURE 29

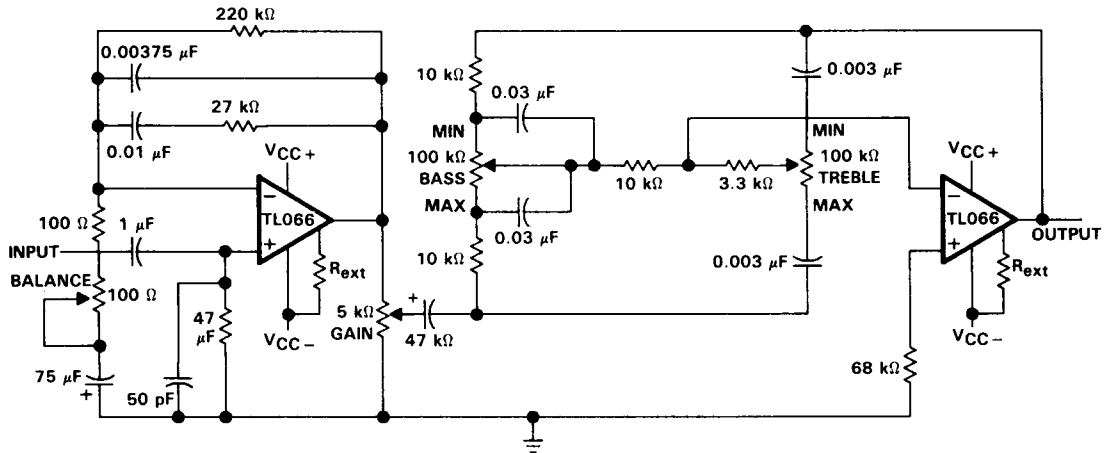


FIGURE 30. IC PREAMPLIFIER