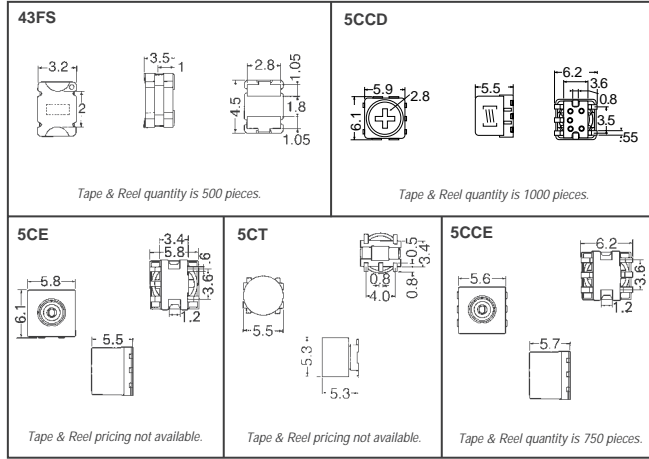


# Surface Mount Inductors

## 43FS Type, 5CCD Type, 5CE Type, 5CT Type, 5CCE Type

FEATURES: 43FS – For reflow soldering type. Small size. 5CT – For reflow soldering type. Small size. One capacitor can be inserted. Bias oscillator coil. DC-DC connector transformer most suitable for use in portable equipment.



<b>TK9990-ND</b> Ceramic Tuning Driver (5CB, 5CE, 5CCE) (Requires Holder TK9999-ND, below) .....	<b>\$41.66</b>
<b>TK9993-ND</b> Ceramic Tuning Driver (5CD) (Requires Holder TK9999-ND, below) .....	<b>\$31.84</b>
<b>TK9994-ND</b> Ceramic Tuning Driver (5CCD) (Requires Holder TK9999-ND, below) .....	<b>\$69.64</b>
<b>TK9999-ND</b> Ceramic Driver Holder .....	<b>\$4.16</b>

L Nom.	Q Min.	Rated DC Freq.	Current	Digi-Key Part No.	Cut Tape Pricing 1 10 100	*Tape & Reel Pricing	Toko Part No.
<b>43FS Type</b>							
.22µH ± 20%	22	25.2MHz	190mA	TKS1205CT-ND	1.50 11.52 86.40	—	300NS-R22M
.27µH ± 20%	22	25.2MHz	170mA	TKS1206CT-ND	2.81 21.60 162.00	575.00/500	300NS-R27M
.56µH ± 20%	19	25.2MHz	145mA	TKS1210CT-ND	2.81 21.60 162.00	575.00/500	300NS-R56M
.68µH ± 20%	18	25.2MHz	140mA	TKS1211CT-ND	1.50 11.52 86.40	—	300NS-R68M
.82µH ± 20%	17	25.2MHz	135mA	TKS1212CT-ND	1.50 11.52 86.40	—	300NS-R82M
1.0µH ± 10%	50	7.96MHz	250mA	TKS1213CT-ND	2.81 21.60 162.00	575.00/500	300LS-1R0K
1.2µH ± 10%	50	7.96MHz	240mA	TKS1214CT-ND	2.81 21.60 162.00	575.00/500	300LS-1R2K
1.5µH ± 10%	50	7.96MHz	230mA	TKS1215CT-ND	2.81 21.60 162.00	575.00/500	300LS-1R5K
1.8µH ± 10%	50	7.96MHz	220mA	TKS1216CT-ND	2.81 21.60 162.00	575.00/500	300LS-1R8K
2.2µH ± 10%	50	7.96MHz	200mA	TKS1217CT-ND	2.81 21.60 162.00	575.00/500	300LS-2R2K
2.7µH ± 10%	50	7.96MHz	190mA	TKS1218CT-ND	2.81 21.60 162.00	575.00/500	300LS-2R7K
3.3µH ± 10%	50	7.96MHz	180mA	TKS1219CT-ND	2.81 21.60 162.00	575.00/500	300LS-3R3K
3.9µH ± 10%	50	7.96MHz	160mA	TKS1220CT-ND	2.81 21.60 162.00	575.00/500	300LS-3R9K
4.7µH ± 10%	50	7.96MHz	160mA	TKS1221CT-ND	2.81 21.60 162.00	575.00/500	300LS-4R7K
5.6µH ± 10%	50	7.96MHz	150mA	TKS1222CT-ND	2.81 21.60 162.00	575.00/500	300LS-5R6K
6.8µH ± 10%	50	7.96MHz	150mA	TKS1223CT-ND	2.81 21.60 162.00	575.00/500	300LS-6R8K
8.2µH ± 10%	50	7.96MHz	150mA	TKS1224CT-ND	2.81 21.60 162.00	575.00/500	300LS-8R2K
10.0µH ± 10%	50	7.96MHz	145mA	TKS1225CT-ND	2.81 21.60 162.00	575.00/500	300LS-100K
15.0µH ± 10%	50	2.52MHz	130mA	TKS1227CT-ND	2.81 21.60 162.00	575.00/500	300LS-150K
18.0µH ± 10%	50	2.52MHz	125mA	TKS1228CT-ND	2.81 21.60 162.00	1980.00/2000	300LS-180K
22.0µH ± 10%	50	2.52MHz	115mA	TKS1229CT-ND	2.81 21.60 162.00	575.00/500	300LS-220K
27.0µH ± 10%	50	2.52MHz	105mA	TKS1230CT-ND	2.81 21.60 162.00	575.00/500	300LS-270K
33.0µH ± 10%	50	2.52MHz	100mA	TKS1231CT-ND	2.81 21.60 162.00	575.00/500	300LS-330K
39.0µH ± 10%	50	2.52MHz	95mA	TKS1232CT-ND	2.81 21.60 162.00	575.00/500	300LS-390K
47.0µH ± 10%	50	2.52MHz	85mA	TKS1233CT-ND	2.81 21.60 162.00	575.00/500	300LS-470K
56.0µH ± 10%	50	2.52MHz	85mA	TKS1234CT-ND	2.81 21.60 162.00	575.00/500	300LS-560K
68.0µH ± 10%	50	2.52MHz	75mA	TKS1235CT-ND	2.81 21.60 162.00	575.00/500	300LS-680K
82.0µH ± 10%	50	2.52MHz	75mA	TKS1236CT-ND	2.81 21.60 162.00	575.00/500	300LS-820K
100µH ± 5%	50	2.52MHz	70mA	TKS1237CT-ND	2.81 21.60 162.00	575.00/500	300LS-101J
120µH ± 5%	50	7.96KHz	70mA	TKS1238CT-ND	2.81 21.60 162.00	1980.00/2000	300HS-121J
150µH ± 5%	50	7.96KHz	65mA	TKS1239CT-ND	2.81 21.60 162.00	575.00/500	300HS-151J
180µH ± 5%	50	7.96KHz	60mA	TKS1240CT-ND	2.81 21.60 162.00	575.00/500	300HS-181J
220µH ± 5%	50	7.96KHz	60mA	TKS1241CT-ND	2.81 21.60 162.00	575.00/500	300HS-221J

L Nom.	Q Min.	Rated DC Freq.	Current	Digi-Key Part No.	Cut Tape Pricing 1 10 100	*Tape & Reel Pricing	Toko Part No.
270µH ± 5%	50	7.96KHz	55mA	TKS1242CT-ND	2.81 21.60 162.00	575.00/500	300HS-271J
330µH ± 5%	50	7.96KHz	50mA	TKS1243CT-ND	2.81 21.60 162.00	575.00/500	300HS-331J
390µH ± 5%	50	7.96KHz	50mA	TKS1244CT-ND	2.81 21.60 162.00	1980.00/2000	300HS-391J
470µH ± 5%	50	7.96KHz	45mA	TKS1245CT-ND	2.81 21.60 162.00	575.00/500	300HS-471J
560µH ± 5%	50	7.96KHz	45mA	TKS1246CT-ND	2.81 21.60 162.00	575.00/500	300SS-561J
680µH ± 5%	50	7.96KHz	40mA	TKS1247CT-ND	2.81 21.60 162.00	575.00/500	300SS-681J
820µH ± 5%	50	7.96KHz	50mA	TKS1248CT-ND	2.81 21.60 162.00	1980.00/2000	300SS-821J
1000µH ± 5%	50	7.96KHz	40mA	TKS1249CT-ND	2.81 21.60 162.00	575.00/500	300SS-102J

<b>5CCD Type</b>							
1.8µH ± 3%	45	7.96MHz	—	TKS2245CT-ND	3.32 25.68 194.40	1168.00/1000	614BN-9018Z
2.2µH ± 3%	45	7.96MHz	—	TKS2246CT-ND	3.32 25.68 194.40	1168.00/1000	614BN-9022Z
2.7µH ± 3%	50	7.96MHz	—	TKS2247CT-ND	3.32 25.68 194.40	1168.00/1000	614BN-9027B
3.3µH ± 3%	55	7.96MHz	—	TKS2248CT-ND	3.32 25.68 194.40	1168.00/1000	614BN-9033Z
3.9µH ± 3%	55	7.96MHz	—	TKS2249CT-ND	3.32 25.68 194.40	1168.00/1000	614BN-9039Z
4.7µH ± 3%	55	7.96MHz	—	TKS2250CT-ND	3.32 25.68 194.40	1168.00/1000	614BN-9047Z
5.6µH ± 3%	65	7.96MHz	—	TKS2251CT-ND	3.32 25.68 194.40	1168.00/1000	614BN-9056Z
6.8µH ± 3%	65	7.96MHz	—	TKS2252CT-ND	3.32 25.68 194.40	1168.00/1000	614BN-9068Z
8.2µH ± 3%	65	7.96MHz	—	TKS2253CT-ND	3.32 25.68 194.40	1168.00/1000	614BN-9082Z
10.0µH ± 3%	45	2.52MHz	—	TKS2254CT-ND	3.32 25.68 194.40	1168.00/1000	614BN-9100Z
18.0µH ± 3%	45	2.52MHz	—	TKS2257CT-ND	3.32 25.68 194.40	1168.00/1000	614BN-9180Z
22.0µH ± 3%	45	2.52MHz	—	TKS2258CT-ND	3.32 25.68 194.40	1168.00/1000	614BN-9220Z
39.0µH ± 3%	45	2.52MHz	—	TKS2261CT-ND	3.32 25.68 194.40	1168.00/1000	614BN-9390Z
47.0µH ± 3%	45	2.52MHz	—	TKS2262CT-ND	3.32 25.68 194.40	1168.00/1000	614BN-9470Z
68.0µH ± 3%	30	2.52MHz	—	TKS2264CT-ND	3.32 25.68 194.40	1168.00/1000	614AN-9680Z
82.0µH ± 3%	30	2.52MHz	—	TKS2265CT-ND	3.32 25.68 194.40	1168.00/1000	614AN-9820Z
100µH ± 3%	45	7.96KHz	—	TKS2266CT-ND	3.32 25.68 194.40	1168.00/1000	614AN-9101Z
120µH ± 3%	45	7.96KHz	—	TKS2267CT-ND	3.32 25.68 194.40	1168.00/1000	614AN-9121Z
150µH ± 3%	45	7.96KHz	—	TKS2268CT-ND	3.32 25.68 194.40	1168.00/1000	614AN-9151Z
180µH ± 3%	45	7.96KHz	—	TKS2269CT-ND	3.32 25.68 194.40	1168.00/1000	614AN-9181Z
220µH ± 3%	45	7.96KHz	—	TKS2270CT-ND	3.32 25.68 194.40	1168.00/1000	614AN-9221Z
270µH ± 3%	45	7.96KHz	—	TKS2271CT-ND	3.32 25.68 194.40	1168.00/1000	614AN-9271Z
330µH ± 3%	45	7.96KHz	—	TKS2272CT-ND	3.32 25.68 194.40	1168.00/1000	614AN-9331Z
390µH ± 3%	45	7.96KHz	—	TKS2273CT-ND	3.32 25.68 194.40	1168.00/1000	614AN-9391Z
560µH ± 3%	45	7.96KHz	—	TKS2275CT-ND	3.32 25.68 194.40	1168.00/1000	614AN-9561Z
680µH ± 3%	45	7.96KHz	—	TKS2276CT-ND	3.32 25.68 194.40	1168.00/1000	614AN-9681Z
820µH ± 3%	45	7.96KHz	—	TKS2277CT-ND	3.32 25.68 194.40	1168.00/1000	614AN-9821Z
1000µH ± 3%	30	25.2KHz	—	TKS2278CT-ND	3.32 25.68 194.40	1168.00/1000	614AN-9102Z
1200µH ± 3%	30	25.2KHz	—	TKS2279CT-ND	3.32 25.68 192.60	—	614AN-9122Z
1300µH ± 3%	30	25.2KHz	—	TKS2280CT-ND	3.32 25.68 194.40	1168.00/1000	614AN-9132Z

<b>5CE Type</b>							
330nH ± 5%	60	273MHz	—	TKS2409CT-ND	6.02 48.12 360.90	—	432AN-1058Z

<b>5CT Type</b>							
05mH ± 20%	25	2.52MHz	460mA	TKS2301CT-ND	3.73 29.80 223.50	—	312AN-1031Z

L Nom.	Q Min.	Rated DC Freq.	Current	Digi-Key Part No.	Cut Tape Pricing 1 10 100	*Tape & Reel Pricing	Toko Part No.
<b>5CCE Type</b>							
68nH ± 5%	60	100MHz	—	TKS2420CT-ND	5.45 43.60 327.00	2122.50/750	A638AN-0150Z
82nH ± 5%	63	100MHz	—	TKS2421CT-ND	5.45 43.60 327.00	2122.50/750	A638AN-0151Z
100nH ± 5%	65	100MHz	—	TKS2422CT-ND	5.45 43.60 327.00	2122.50/750	A638AN-0152Z
120nH ± 5%	68	100MHz	—	TKS2423CT-ND	5.45 43.60 327.00	2122.50/750	A638AN-0153Z
150nH ± 5%	63	100MHz	—	TKS2424CT-ND	5.45 43.60 327.00	2122.50/750	A638AN-0154Z
180nH ± 5%	73	100MHz	—	TKS2425CT-ND	5.45 43.60 327.00	2122.50/750	A638AN-0155Z
220nH ± 5%	60	100MHz	—	TKS2426CT-ND	5.45 43.60 327.00	2122.50/750	A638AN-0156Z
270nH ± 5%	72	100MHz	—	TKS2427CT-ND	5.45 43.60 327.00	2122.50/750	A638AN-0157Z
330nH ± 5%	75	100MHz	—	TKS2428CT-ND	5.45 43.60 327.00	2122.50/750	A638AN-0158Z
390nH ± 5%	68	100MHz	—	TKS2429CT-ND	5.45 43.60 327.00	2122.50/750	A638AN-0159Z
470nH ± 5%	67	100MHz	—	TKS2430CT-ND	5.45 43.60 327.00	2122.50/750	A638AN-0160Z
560nH ± 5%	68	100MHz	—	TKS2431CT-ND	5.45 43.60 327.00	2122.50/750	A638AN-0161Z
680nH ± 5%	50	30MHz	—	TKS2432CT-ND	5.45 43.60 327.00	2122.50/750	A638AN-0162Z
820nH ± 5%	48	30MHz	—	TKS2433CT-ND	5.45 43.60 327.00	2122.50/750	A638AN-0163Z
1000nH ± 5%	50	30MHz	—	TKS2434CT-ND	5.45 43.60 327.00	2122.50/750	A638AN-0164Z
1200nH ± 5%	48	30MHz	—	TKS2435CT-ND	5.45 43.60 327.00	2122.50/750	A638AN-0165Z
1500nH ± 5%	48	30MHz	—	TKS2436CT-ND	5.45 43.60 327.00	2122.50/750	A638AN-0166Z
1800nH ± 5%	47	30MHz	—	TKS2437CT-ND	5.45 43.60 327.00	2122.50/750	A638AN-0167Z
2200nH ± 5%	47	30MHz	—	TKS2438CT-ND	5.45 43.60 327.00	2122.50/750	A638AN-0168Z

</

## Fixed Surface Mount Inductors

32CS, 33CS, 36CS, D73C, D73F, D75C, D75F, D52FU, D62CB, D10F, D32FU, and D124C Types

### Features:

**32CS:** • For dip-soldering type • Very small

**33CS, 36CS:** • High current • High Q for reflow soldering

**D73F/C, D75F/C:** • Miniature surface mount type • Low profile (3.2 or 4.8mm height) • Available in magnetically shielded or unshielded versions • Operating Temperature: -40°C to +80°C • Step up/Step down inductor for up to 4W DC/DC converter circuit • Current limiting inductor for DC/AC inverter circuit

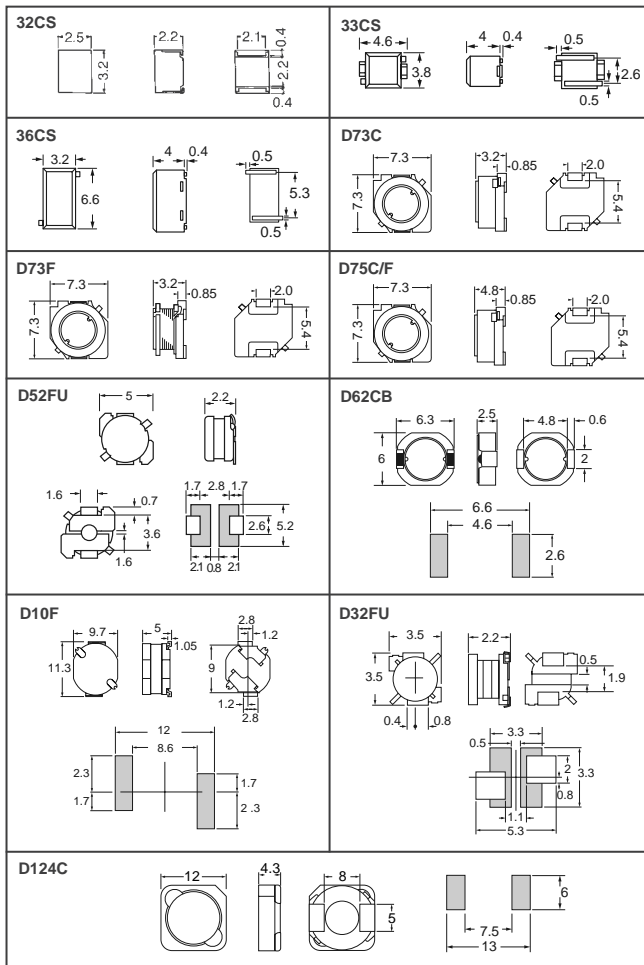
**D52FU:** • Low profile (2.2mm typ. height) and 5mm square • Ideal for IC inverter EL lamp driver applications • Magnetically shielded version • Available on tape and reel for auto-insertion • Suitable for reflow soldering

**D62CB (with Ferrite Shield):** • Low profile (2.5mm max.) • Ideal for a variety of DC-DC converter inductor applications • Magnetically shielded

**D10F:** • Low profile SMD type (5mm high) • Suitable for large current • Suitable for reflow soldering

**D32FU:** • Low profile (2.2mm max.) and 3.5mm square • Ideal for IC inverter EL lamp driver applications • Available on tape and reel for auto-insertion • Suitable for reflow soldering

**D124C:** • Low profile (4.5mm max.) • Suitable for large currents



Induct. L Nom.	L Tol. (%)	Q Min.	Test Freq.	Rated DC Current	Digi-Key Part No.	Cut Tape Price Each 1 10 100	*Tape & Reel Pricing	Toko Part No.
<b>32CS Type</b>								
12nH	±20	19	100MHz	490mA	TKS1002CT-ND	1.50 1.16 .87	786.00/1500	380NB-12NM
15nH	±20	20	100MHz	470mA	TKS1003CT-ND	1.50 1.16 .87	786.00/1500	380NB-15NM
18nH	±20	20	100MHz	450mA	TKS1004CT-ND	1.50 1.16 .87	786.00/1500	380NB-18NM
22nH	±20	21	100MHz	430mA	TKS1005CT-ND	1.50 1.16 .87	786.00/1500	380NB-22NM
27nH	±20	22	100MHz	410mA	TKS1006CT-ND	1.50 1.16 .87	786.00/1500	380NB-27NM
33nH	±20	22	100MHz	390mA	TKS1007CT-ND	1.50 1.16 .87	786.00/1500	380NB-33NM
47nH	±20	24	100MHz	360mA	TKS1009CT-ND	1.50 1.16 .87	786.00/1500	380NB-47NM

Induct. L Nom.	L Tol. (%)	Q Min.	Test Freq.	Rated DC Current	Digi-Key Part No.	Cut Tape Price Each 1 10 100	*Tape & Reel Pricing	Toko Part No.
56nH	±20	25	100MHz	340mA	TKS1010CT-ND	1.50 1.16 .87	786.00/1500	380NB-56NM
68nH	±20	26	100MHz	320mA	TKS1011CT-ND	1.50 1.16 .87	786.00/1500	380NB-68NM
82nH	±20	27	100MHz	300mA	TKS1012CT-ND	1.50 1.16 .87	786.00/1500	380NB-82NM
.10µH	±20	27	100MHz	300mA	TKS1013CT-ND	1.50 1.16 .87	786.00/1500	380NB-R10M
.12µH	±20	18	25.2MHz	240mA	TKS1014CT-ND	1.50 1.16 .87	786.00/1500	380NB-R12M
.15µH	±20	17	25.2MHz	230mA	TKS1015CT-ND	1.50 1.16 .87	786.00/1500	380NB-R15M
.18µH	±20	16	25.2MHz	220mA	TKS1016CT-ND	1.50 1.16 .87	786.00/1500	380NB-R18M
.22µH	±20	15	25.2MHz	200mA	TKS1017CT-ND	1.50 1.16 .87	786.00/1500	380NB-R22M
.33µH	±20	15	25.2MHz	180mA	TKS1019CT-ND	1.50 1.16 .87	786.00/1500	380NB-R33M
.47µH	±20	13	25.2MHz	170mA	TKS1021CT-ND	1.50 1.16 .87	786.00/1500	380NB-R47M
.56µH	±20	12	25.2MHz	160mA	TKS1022CT-ND	1.50 1.16 .87	786.00/1500	380NB-R56M
.68µH	±20	12	25.2MHz	150mA	TKS1023CT-ND	1.50 1.16 .87	786.00/1500	380NB-R68M
.82µH	±20	12	25.2MHz	140mA	TKS1024CT-ND	1.50 1.16 .87	786.00/1500	380NB-R82M
1.0µH	±10	30	7.96MHz	235mA	TKS1025CT-ND	1.50 1.16 .87	786.00/1500	380LB-1R0K
1.2µH	±10	30	7.96MHz	225mA	TKS1026CT-ND	1.50 1.16 .87	786.00/1500	380LB-1R2K
1.5µH	±10	30	7.96MHz	200mA	TKS1027CT-ND	1.50 1.16 .87	786.00/1500	380LB-1R5K
1.8µH	±10	30	7.96MHz	190mA	TKS1028CT-ND	1.50 1.16 .87	786.00/1500	380LB-1R8K
2.2µH	±10	30	7.96MHz	180mA	TKS1029CT-ND	1.50 1.16 .87	786.00/1500	380LB-2R2K
2.7µH	±10	30	7.96MHz	178mA	TKS1030CT-ND	1.50 1.16 .87	786.00/1500	380LB-2R7K
3.3µH	±10	30	7.96MHz	175mA	TKS1031CT-ND	1.50 1.16 .87	786.00/1500	380LB-3R3K
3.9µH	±10	30	7.96MHz	170mA	TKS1032CT-ND	1.50 1.16 .87	786.00/1500	380LB-3R9K
4.7µH	±10	30	7.96MHz	160mA	TKS1033CT-ND	1.50 1.16 .87	786.00/1500	380LB-4R7K
5.6µH	±10	30	7.96MHz	127mA	TKS1034CT-ND	1.50 1.16 .87	786.00/1500	380LB-5R6K
6.8µH	±10	30	7.96MHz	125mA	TKS1035CT-ND	1.50 1.16 .87	786.00/1500	380LB-6R8K
8.2µH	±10	30	7.96MHz	120mA	TKS1036CT-ND	1.50 1.16 .87	786.00/1500	380LB-8R2K
10µH	±5	30	2.52MHz	118mA	TKS1037CT-ND	1.50 1.16 .87	786.00/1500	380KB-100J
15µH	±5	30	2.52MHz	85.0mA	TKS1039CT-ND	1.50 1.16 .87	786.00/1500	380KB-150J
18µH	±5	30	2.52MHz	80.0mA	TKS1040CT-ND	1.50 1.16 .87	786.00/1500	380KB-180J
22µH	±5	30	2.52MHz	73.3mA	TKS1041CT-ND	1.50 1.16 .87	786.00/1500	380KB-220J
27µH	±5	30	2.52MHz	68.2mA	TKS1042CT-ND	1.50 1.16 .87	786.00/1500	380KB-270J
33µH	±5	30	2.52MHz	61.7mA	TKS1043CT-ND	1.50 1.16 .87	786.00/1500	380KB-330J
39µH	±5	30	2.52MHz	56.7mA	TKS1044CT-ND	1.50 1.16 .87	786.00/1500	380KB-390J
47µH	±5	30	2.52MHz	51.7mA	TKS1045CT-ND	1.50 1.16 .87	786.00/1500	380KB-470J
56µH	±5	30	2.52MHz	43.3mA	TKS1046CT-ND	1.50 1.16 .87	786.00/1500	380KB-560J
68µH	±5	30	2.52MHz	42.5mA	TKS1047CT-ND	1.50 1.16 .87	786.00/1500	380KB-680J
82µH	±5	30	2.52MHz	37.5mA	TKS1048CT-ND	1.50 1.16 .87	786.00/1500	380KB-820J
100µH	±5	18	.796MHz	37.3mA	TKS1049CT-ND	1.50 1.16 .87	786.00/1500	380HB-101J
120µH	±5	18	.796MHz	35.0mA	TKS1050CT-ND	1.50 1.16 .87	786.00/1500	380HB-121J
150µH	±5	18	.796MHz	32.0mA	TKS1051CT-ND	1.50 1.16 .87	786.00/1500	380HB-151J
180µH	±5	18	.796MHz	31.0mA	TKS1052CT-ND	1.50 1.16 .87	786.00/1500	380HB-181J
220µH	±5	18	.796MHz	30.0mA	TKS1053CT-ND	1.50 1.16 .87	786.00/1500	380HB-221J
<b>33CS Type</b>								
6.8nH	±10	70	150MHz	1000mA	TKS2673CT-ND	1.01 .78 .59	710.00/2000	Y655LY-01K
10.5nH	±10	75	150MHz	1000mA	TKS2674CT-ND	1.01 .78 .59	—	Y655LY-02K
15.3nH	±10	75	150MHz	1000mA	TKS2675CT-ND	2.18 1.68 1.26	1520.00/2000	Y655LY-03K
<b>36CS Type</b>								
22nH	±10	85	150MHz	1000mA	TKS2677CT-ND	2.13 1.64 1.23	1500.00/2000	656LZ-05K
27.5nH	±10	85	150MHz	1000mA	TKS2678CT-ND	2.13 1.64 1.23	1500.00/2000	656LZ-06K
33.1nH	±10	85	150MHz	1000mA	TKS2679CT-ND	1.01 .78 .59	—	656LZ-07K
41.1nH	±10	85	150MHz	1000mA	TKS2680CT-ND	2.13 1.64 1.23	1500.00/2000	656LZ-08K
49.8nH	±10	85	150MHz	1000mA	TKS2681CT-ND	2.13 1.64 1.23	1500.00/2000	656LZ-09K
TK11-KIT-ND (SPK-3336CS-1993) 33/36CS Air Coil Kit - 10 each of 9 values (90 parts), 6.8nH - 49.8nH.....\$49.00								

Induct. L Nom.	L Tolerance (%)	Test Frequency	Rated DC Current	Digi-Key Part No.	Cut Tape Price Each 1 10 100	*Tape & Reel Pricing	Toko Part No.
<b>D73C Type, with Ferrite Shield</b>							
1.0µH	±20	100KHz	3.12A	TKS2501CT-ND	3.17 2.44 1.83	1110.00/1000	636CY-1R0M
1.5µH	±20	100KHz	2.85A	TKS2502CT-ND	3.17 2.44 1.83	1110.00/1000	636CY-1R5M
2.2µH	±20	100KHz	2.66A	TKS2503CT-ND	3.17 2.44 1.83	1110.00/1000	636CY-2R2M
3.3µH	±20	100KHz	2.26A	TKS2504CT-ND	3.17 2.44 1.83	1110.00/1000	636CY-3R3M
4.7µH	±20	100KHz	1.96A	TKS2505CT-ND	3.17 2.44 1.83	1110.00/1000	636CY-4R7M
6.8µH	±20	100KHz	1.76A	TKS2506CT-ND	3.17 2.44 1.83	1110.00/1000	636CY-6R8M
10µH	±20	100KHz	1.34A	TKS2507CT-ND	3.17 2.44 1.83	1110.00/1000	636CY-100M
12µH	±20	100KHz	1.23A	TKS2508CT-ND	3.17 2.44 1.83	1110.00/1000	636CY-120M
15µH	±20	100KHz	1.09A	TKS2509CT-ND	3.17 2.44 1.83	1110.00/1000	636CY-150M
18µH	±20	100KHz	.99A	TKS2539CT-ND	3.17 2.44 1.83	1110.00/1000	636CY-180M
22µH	±20	100KHz	.90A	TKS2540CT-ND	3.17 2.44 1.83	1110.00/1000	636CY-220M
27µH	±20	100KHz	.81A	TKS2541CT-ND	3.17 2.44 1.83	1110.00/1000	636CY-270M
33µH	±20	100KHz	.72A	TKS2542CT-ND	3.17 2.44 1.83	1110.00/1000	636CY-330M
47µH	±20	100KHz	.60A	TKS2544CT-ND	3.17 2.44 1.83	1110.00/1000	636CY-470M
68µH	±20	100KHz	.50A	TKS2546CT-ND	3.17 2.44 1.83	1110.00/1000	636CY-680M
82µH	±20	100KHz	.46A	TKS2547CT-ND	3.17 2.44 1.83	1110.00/1000	636CY-820M
100µH	±20	100KHz	.41A	TKS2548CT-ND	3.17 2.44 1.83	1110.00/1000	636CY-101M

# TOKO Fixed Surface Mount Inductors (Cont.)

Induct. L Nom.	L Tolerance (%)	Test Frequency	Rated DC Current	Digi-Key Part No.	Cut Tape Price Each			★Tape & Reel Pricing	Toko Part No.
					1	10	100		
<i>D73F Type, Unshielded</i>									
1.0µH	±20	100KHz	2.88A	TKS2520CT-ND	3.17	2.44	1.83	1110.00/1000	636FY-1R0M
1.5µH	±20	100KHz	2.67A	TKS2521CT-ND	2.27	1.75	1.32	795.00/1000	636FY-1R5M
2.2µH	±20	100KHz	2.40A	TKS2522CT-ND	3.17	2.44	1.83	1110.00/1000	636FY-2R2M
3.3µH	±20	100KHz	2.08A	TKS2523CT-ND	3.17	2.44	1.83	1110.00/1000	636FY-3R3M
4.7µH	±20	100KHz	1.92A	TKS2524CT-ND	3.17	2.44	1.83	1110.00/1000	636FY-4R7M
10µH	±20	100KHz	1.41A	TKS2526CT-ND	3.17	2.44	1.83	1110.00/1000	636FY-100M
18µH	±20	100KHz	1.00A	TKS2529CT-ND	2.27	1.75	1.32	795.00/1000	636FY-180M
22µH	±20	100KHz	.93A	TKS2530CT-ND	3.17	2.44	1.83	1110.00/1000	636FY-220M
47µH	±20	100KHz	.59A	TKS2534CT-ND	3.17	2.44	1.83	1110.00/1000	636FY-470M
68µH	±20	100KHz	.49A	TKS2536CT-ND	3.17	2.44	1.83	1110.00/1000	636FY-680M
82µH	±20	100KHz	.44A	TKS2537CT-ND	2.27	1.75	1.32	—	636FY-820M
100µH	±20	100KHz	.38A	TKS2538CT-ND	3.17	2.44	1.83	1110.00/1000	636FY-101M
<i>D75C Type, with Ferrite Shield</i>									
100µH	±20	100KHz	0.5A	TKS2559CT-ND	3.17	2.44	1.83	1110.00/1000	646CY-101M
120µH	±20	100KHz	0.47A	TKS2560CT-ND	3.17	2.44	1.83	1110.00/1000	646CY-121M
150µH	±20	100KHz	0.4A	TKS2561CT-ND	3.17	2.44	1.83	1110.00/1000	646CY-151M
180µH	±20	100KHz	0.39A	TKS2562CT-ND	3.17	2.44	1.83	1110.00/1000	646CY-181M
220µH	±20	100KHz	0.33A	TKS2563CT-ND	3.17	2.44	1.83	1110.00/1000	646CY-221M
270µH	±20	100KHz	0.31A	TKS2564CT-ND	3.17	2.44	1.83	1110.00/1000	646CY-271M
330µH	±20	100KHz	0.27A	TKS2565CT-ND	3.17	2.44	1.83	1110.00/1000	646CY-331M
470µH	±20	100KHz	0.25A	TKS2567CT-ND	3.17	2.44	1.83	1110.00/1000	646CY-471M
560µH	±20	100KHz	0.22A	TKS2568CT-ND	3.17	2.44	1.83	1110.00/1000	646CY-561M
<i>D75F Type, Unshielded</i>									
100µH	±20	100KHz	0.51A	TKS2550CT-ND	3.54	2.72	2.04	1240.00/1000	646FY-101M
120µH	±10	100KHz	0.42A	TKS2551CT-ND	2.27	1.75	1.32	—	646FY-121K
150µH	±10	100KHz	0.37A	TKS2552CT-ND	3.54	2.72	2.04	1240.00/1000	646FY-151K
180µH	±10	100KHz	0.35A	TKS2553CT-ND	3.54	2.72	2.04	1240.00/1000	646FY-181K
220µH	±10	100KHz	0.29A	TKS2554CT-ND	3.54	2.72	2.04	1240.00/1000	646FY-221K
270µH	±10	100KHz	0.28A	TKS2555CT-ND	3.54	2.72	2.04	1240.00/1000	646FY-271K
330µH	±10	100KHz	0.23A	TKS2556CT-ND	3.54	2.72	2.04	1240.00/1000	646FY-331K
390µH	±10	100KHz	0.215A	TKS2557CT-ND	3.54	2.72	2.04	1240.00/1000	646FY-391K
470µH	±10	100KHz	0.195A	TKS2558CT-ND	3.54	2.72	2.04	1240.00/1000	646FY-471K

Induct. L Nom.	L Tol. (%)	SRF1 (MHz)	DC Resistance (Ω)	Rated DC Current	Digi-Key Part No.	Cut Tape Price Each			★Tape & Reel Pricing	Toko Part No.
						1	10	100		
<i>D52FU Type</i>										
470µH	±20	5.17	6.78	140mA	TKS3500CT-ND	.72	.63	.58	1602.00/2000	875FU-471M
560µH	±20	4.83	9.43	125mA	TKS3501CT-ND	.72	.63	.58	1602.00/2000	875FU-561M
680µH	±20	4.27	10.79	115mA	TKS3502CT-ND	.72	.63	.58	1602.00/2000	875FU-681M
820µH	±20	3.94	12.35	105mA	TKS3503CT-ND	.72	.63	.58	1602.00/2000	875FU-821M
1000µH	±20	3.61	16.32	95mA	TKS3504CT-ND	.72	.63	.58	1602.00/2000	875FU-102M
1200µH	±20	3.17	18.64	88mA	TKS3505CT-ND	.72	.63	.58	1602.00/2000	875FU-122M
1500µH	±20	2.65	22.19	83mA	TKS3506CT-ND	.72	.63	.58	1602.00/2000	875FU-152M
1800µH	±20	2.51	27.73	74mA	TKS3507CT-ND	.72	.63	.58	1602.00/2000	875FU-182M
2200µH	±20	2.38	32.13	64mA	TKS3508CT-ND	.72	.63	.58	1602.00/2000	875FU-222M
2700µH	±20	2.11	37.61	61mA	TKS3509CT-ND	.72	.63	.58	1602.00/2000	875FU-272M
3200µH	±20	1.97	51.89	50mA	TKS3510CT-ND	.72	.63	.58	1602.00/2000	875FU-322M
3900µH	±20	1.81	58.84	50mA	TKS3511CT-ND	.72	.63	.58	1602.00/2000	875FU-392M
4700µH	±20	1.63	80.21	42mA	TKS3512CT-ND	.72	.63	.58	1602.00/2000	875FU-472M
5600µH	±20	1.46	92.12	40mA	TKS3513CT-ND	.72	.63	.58	1602.00/2000	875FU-562M
6800µH	±20	1.33	106.41	37mA	TKS3514CT-ND	.72	.63	.58	1602.00/2000	875FU-682M
TK15-KIT-ND (SPK-D52FU-1998) D52FU Series Fixed Inductor Kit - 3 each of 22 values (66 parts), 100µH-6800µH ..... \$49.00										

Induct. L (µH)	L Tol. (%)	DC Resistance (mΩ)	Max. DC Current	Digi-Key Part No.	Cut Tape Price Each			★Tape & Reel Pricing	Toko Part No.
					1	10	100		
<i>D62CB Type</i>									
1.0	±20	11	3.48A	TKS5510CT-ND	3.22	2.48	1.86	1692.00/1500	A920CY-1R0M
1.5	±20	14	2.83A	TKS5511CT-ND	3.22	2.48	1.86	1692.00/1500	A920CY-1R5M
2.0	±20	17	2.44A	TKS5512CT-ND	3.22	2.48	1.86	1692.00/1500	A920CY-2R0M
3.3	±20	24	1.89A	TKS5513CT-ND	3.22	2.48	1.86	1692.00/1500	A920CY-3R3M
4.3	±20	31	1.65A	TKS5514CT-ND	3.22	2.48	1.86	1692.00/1500	A920CY-4R3M
6.2	±20	43	1.37A	TKS5515CT-ND	3.22	2.48	1.86	1692.00/1500	A920CY-6R2M
10.0	±20	64	1.07A	TKS5516CT-ND	3.22	2.48	1.86	1692.00/1500	A920CY-100M
12.0	±20	75	0.97A	TKS5517CT-ND	3.22	2.48	1.86	1692.00/1500	A920CY-120M
15.0	±20	87	0.87A	TKS5518CT-ND	3.22	2.48	1.86	1692.00/1500	A920CY-150M
18.0	±20	110	0.79A	TKS5519CT-ND	3.22	2.48	1.86	1692.00/1500	A920CY-180M

Induct. L (µH)	L Tol. (%)	DC Resistance (mΩ)	Max. DC Current	Digi-Key Part No.	Cut Tape Price Each			★Tape & Reel Pricing	Toko Part No.
					1	10	100		
22.0	±20	130	0.71A	TKS5520CT-ND	3.22	2.48	1.86	1692.00/1500	A920CY-220M
27.0	±20	170	0.64A	TKS5521CT-ND	3.22	2.48	1.86	1692.00/1500	A920CY-270M
33.0	±20	195	0.58A	TKS5522CT-ND	3.22	2.48	1.86	1692.00/1500	A920CY-330M
39.0	±20	245	0.53A	TKS5523CT-ND	3.22	2.48	1.86	1692.00/1500	A920CY-390M
47.0	±20	290	0.48A	TKS5524CT-ND	3.22	2.48	1.86	1692.00/1500	A920CY-470M
56.0	±20	345	0.44A	TKS5525CT-ND	3.22	2.48	1.86	1692.00/1500	A920CY-560M
68.0	±20	400	0.40A	TKS5526CT-ND	3.22	2.48	1.86	1692.00/1500	A920CY-680M
82.0	±20	465	0.36A	TKS5527CT-ND	3.22	2.48	1.86	1692.00/1500	A920CY-820M
TK18-KIT-ND (SPK-D62CB-1999) D62CB Series Fixed Inductor Kit - 3 each of 18 values (54 parts), 1.0µH - 82.0µH ..... \$58.80									

Induct. L (µH)	L Tol. (%)	Test Freq.	DC Resistance (Ω)	Max. DC Current	Digi-Key Part No.	Cut Tape Price Each			★Tape & Reel Pricing	Toko Part No.
						1	10	100		
<i>D10F Type</i>										
10	±20	100KHz	0.047	2.60A	TKS5460CT-ND	4.78	3.68	2.76	1050.00/500	A814AY-100M
12	±20	100KHz	0.050	2.48A	TKS5461CT-ND	4.78	3.68	2.76	1050.00/500	A814AY-120M
15	±20	100KHz	0.058	2.27A	TKS5462CT-ND	4.78	3.68	2.76	1050.00/500	A814AY-150M
18	±20	100KHz	0.067	2.15A	TKS5463CT-ND	4.78	3.68	2.76	1050.00/500	A814AY-180M
22	±20	100KHz	0.075	2.00A	TKS5464CT-ND	4.78	3.68	2.76	1050.00/500	A814AY-220M
27	±20	100KHz	0.087	1.82A	TKS5465CT-ND	4.78	3.68	2.76	1050.00/500	A814AY-270M
33	±20	100KHz	0.095	1.74A	TKS5466CT-ND	4.78	3.68	2.76	1050.00/500	A814AY-330M
39	±20	100KHz	0.12	1.58A	TKS5467CT-ND	4.78	3.68	2.76	1050.00/500	A814AY-390M
47	±10	100KHz	0.15	1.44A	TKS5468CT-ND	4.78	3.68	2.76	1050.00/500	A814AY-470K
56	±10	100KHz	0.18	1.28A	TKS5469CT-ND	4.78	3.68	2.76	1050.00/500	A814AY-560K
68	±10	100KHz	0.20	1.20A	TKS5470CT-ND	4.78	3.68	2.76	1050.00/500	A814AY-680K
82	±10	100KHz	0.23	1.09A	TKS5471CT-ND	4.78	3.68	2.76	1050.00/500	A814AY-820K
100	±10	100KHz	0.27	1.05A	TKS5472CT-ND	4.78	3.68	2.76	1050.00/500	A814AY-101K
120	±10	100KHz	0.33	0.92A	TKS5473CT-ND	4.78	3.68	2.76	1050.00/500	A814AY-121K
150	±10	100KHz	0.40	0.80A	TKS5474CT-ND	4.78	3.68	2.76	1050.00/500	A814AY-151K
180	±10	100KHz	0.53	0.73A	TKS5475CT-ND	4.78	3.68	2.76	1050.00/500	A814AY-181K
220	±10	100KHz	0.60	0.69A	TKS5476CT-ND	4.78	3.68	2.76	1050.00/500	A814AY-221K
270	±10	100KHz	0.84	0.60A	TKS5477CT-ND	4.78	3.68	2.76	1050.00/500	A814AY-271K
330	±10	100KHz	1.00	0.53A	TKS5478CT-ND	4.78	3.68	2.76	1050.00/500	A814AY-331K
390	±10	100KHz	1.09	0.49A	TKS5479CT-ND	4.78	3.68	2.76	1050.00/500	A814AY-391K
470	±10	100KHz	1.25	0.46A	TKS5480CT-ND	4.78	3.68	2.76	1050.00/500	A814AY-471K
560	±10	100KHz	1.63	0.41A	TKS5481CT-ND	4.78	3.68	2.76	1050.00/500	A814AY-561K
680	±10	100KHz	1.90	0.38A						