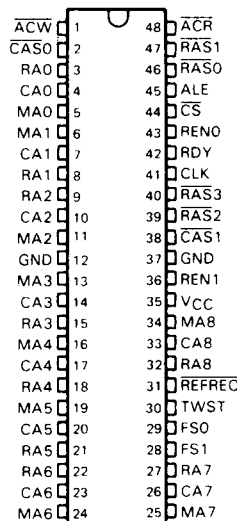


# THCT4502B DYNAMIC RAM CONTROLLER

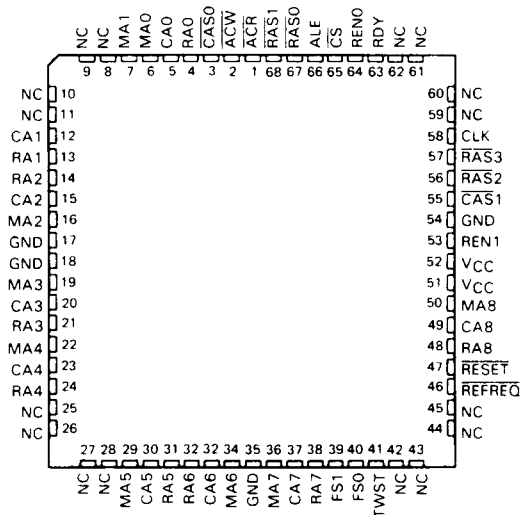
D2989, JUNE 1987 -- REVISED MARCH 1990

- Inputs are TTL- and CMOS-Voltage Compatible
- Controls Operation of 64K and 256K Dynamic RAMs
- Creates Static RAM Appearance
- One Package Contains Address Multiplexer, Refresh Control, and Timing Control
- Directly Addresses and Drives Up to 2M Byte of Memory Without External Drivers
- Operates from Microprocessor Clock
  - No Crystals, Delay Lines, or RC Networks
  - Eliminates Arbitration Delays
- Refresh May Be Internally or Externally Initiated
- Versatile
  - Strap-Selected Refresh Rate
  - Synchronous, Predictable Refresh
  - Selection of Distributed, Transparent, and Cycle-Steal Refresh Modes
  - Interfaces Easily to Popular Microprocessors
  - Asynchronous RESET Function Provided in FK and FN Packages
- High-Performance Si-Gate CMOS Technology
- Strap-Selected Wait State Generation for Microprocessor/Memory Speed Matching
- Ability to Synchronize or Interleave Controller with the Microprocessor System (Including Multiple Controllers)
- 3-State Outputs Allow Multiport Memory Configuration
- Performance Range:
  - 115 ns ALE low to  $\overline{\text{CAS}}$  low
- Functionally Equivalent to TMS4500A/B and to VTI VL4500A and VL4502
- Available in Plastic and Ceramic Chip Carriers in Addition to Plastic and Ceramic DIPs
- Dependable Texas Instruments Quality and Reliability

JD OR N PACKAGE  
(TOP VIEW)



FK OR FN PACKAGE  
(TOP VIEW)



NC -- No internal connection

PRODUCTION DATA documents contain information current as of publication date. Products conform to specifications per the terms of Texas Instruments standard warranty. Production processing does not necessarily include testing of all parameters.



Copyright © 1990, Texas Instruments Incorporated

# THCT4502B DYNAMIC RAM CONTROLLER

## description

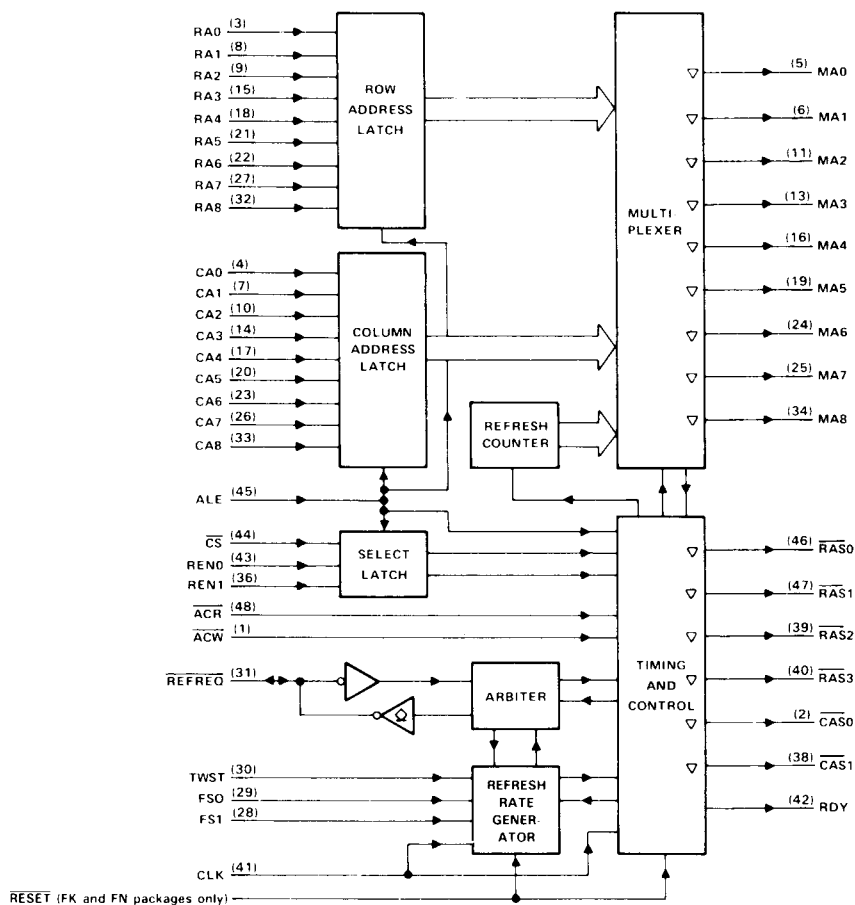
The THCT4502B is a monolithic DRAM system controller providing address multiplexing, timing, control and refresh/access arbitration functions to simplify the interface of dynamic RAMs to microprocessor systems.

The controller contains an 18-bit multiplexer that generates the address lines for the memory device from the 18 system address bits and provides the strobe signals required by the memory to decode the address. A 9-bit refresh counter generates up to 512 row addresses required to refresh.

## for complete data sheet

The complete version of this data sheet and application information can be found in the *Cache Memory Management Data Book*, Literature #SCAD002. To obtain a copy of this data book, contact your local TI sales representative or call the TI Customer Response Center at 1-800-223-3200.

## functional block diagram†



†Pin numbers shown are for JD and N packages.