

# SERIES 24 AND 28 STANDARD AND LOW POWER PROGRAMMABLE READ-ONLY MEMORIES

SEPTEMBER 1979—REVISED AUGUST 1984

- Expanded Family of Standard and Low Power PROMs
- Titanium-Tungsten (Ti-W) Fuse Links for Reliable Low-Voltage Full-Family-Compatible Programming
- Full Decoding and Fast Chip Select Simplify System Design
- P-N-P Inputs for Reduced Loading On System Buffers/Drivers
- Each PROM Supplied With a High Logic Level Stored at Each Bit Location
- Applications Include:  
  - Microprogramming/Firmware Loaders
  - Code Converters/Character Generators
  - Translators/Emulators
  - Address Mapping/Look-Up Tables

## description

The 24 and 28 Series of monolithic TTL programmable read-only memories (PROMs) feature an expanded selection of standard and low-power PROMs. This expanded PROM family provides the system designer with considerable flexibility in upgrading existing designs or optimizing new designs. Featuring proven titanium-tungsten (Ti-W) fuse links with low-current MOS-compatible p-n-p inputs, all family members utilize a common programming technique designed to program each link with a 20-microsecond pulse.

The 4096-bit and 8192-bit PROMs are offered in a wide variety of packages ranging from 18-pin 300 mil-wide thru 24 pin 600 mil-wide. The 16,384-bit PROMs provide twice the bit density of the 8192-bit PROMs and are provided in a 24 pin 600 mil-wide package.

All PROMs are supplied with a logic-high output level stored at each bit location. The programming procedure will produce open-circuits in the Ti-W metal links, which reverses the stored logic level at the selected location. The procedure is irreversible; once altered, the output for that bit location is permanently programmed. Outputs that have never been altered may later be programmed to supply the opposite output level. Operation of the unit within the recommended operating conditions will not alter the memory content.

Active level(s) at the chip-select input(s) (S or  $\bar{S}$ ) enables all of the outputs. An inactive level at any chip-select input causes all outputs to be in the three-state, or off condition.

## standard PROMs

The standard PROM members of Series 24 and 28 offer high performance for applications which require the uncompromised speed of Schottky technology. The fast chip-select access times allow additional decoding delays to occur without degrading speed performance.

TYPE NUMBER	PACKAGE <sup>†</sup> AND TEMPERATURE RANGE DESIGNATORS	OUTPUT CONFIGURATION <sup>‡</sup>	BIT SIZE (ORGANIZATION)	TYPICAL PERFORMANCE		
				ACCESS TIMES		POWER DISSIPATION
				ADDRESS	SELECT	
TBP24S10	MJ, J, N	▽	1024 Bits (256W × 4B)	35 ns	20 ns	375 mW
TBP24SA10	MJ, J, N	◊				
TBP28S42	MJ, J, N	▽	4096 Bits (512W × 8B)	35 ns	20 ns	500 mW
TBP28SA42	MJ, J, N	◊				
TBP28S46	MJW, JW, NW	▽				
TBP28SA46	MJW, JW, NW	◊				
TBP24S41	MJ, J, N	▽	4096 Bits (1024 × 4B)	40 ns	20 ns	475 mW
TBP24SA41	MJ, J, N	◊				
TBP24S81	MJ, J, N	▽	8192 Bits (2048 × 4B)	45 ns	20 ns	625 mW
TBP24SA81	MJ, J, N	◊				
TBP28S86A	MJW, JW, NW	▽	8192 Bits (1024 × 8B)	45 ns	20 ns	625 mW
TBP28SA86A	MJW, JW, NW	◊				
TBP28S2708A	NW	▽				
TBP28S166	NW	▽	16,384 Bits (2048W × 8B)	35 ns	15 ns	650 mW

<sup>†</sup>MJ and MJW designates full-temperature-range circuits (formerly 54 Family), J, JW, N, and NW designates commercial-temperature-range circuits (formerly 74 Family).

<sup>‡</sup>▽ = three state, ◊ = open collector.

4

PROMS

# SERIES 24 AND 28 STANDARD AND LOW-POWER PROGRAMMABLE READ-ONLY MEMORIES

## low power PROMs

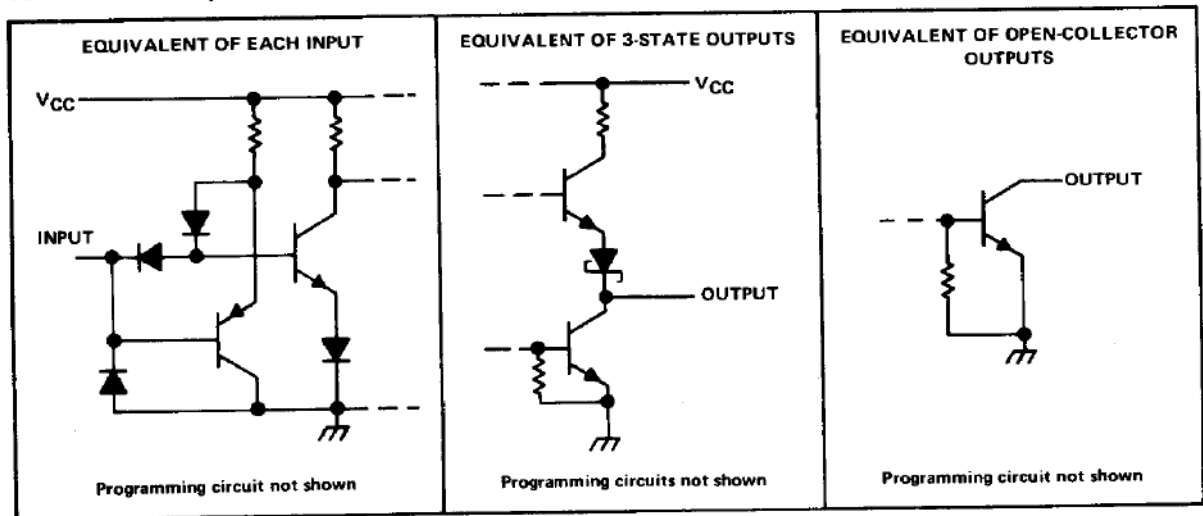
To upgrade systems utilizing MOS EPROMs or MOS PROMs, or when designing new systems which do not require maximum speed, the low-power PROM family offers the output drive and speed performance of bipolar technology, plus reduced power dissipation.

TYPE NUMBER	PACKAGE <sup>†</sup> AND TEMPERATURE RANGE DESIGNATORS	OUTPUT CONFIGURATION <sup>‡</sup>	BIT SIZE (ORGANIZATION)	TYPICAL PERFORMANCE		
				ACCESS TIMES		POWER DISSIPATION
				ADDRESS	SELECT	
TBP28L22	MJ, J, N	▽	2048 Bits (256W × 8B)	45 ns	20 ns	375 mW
TBP28LA22	MJ, J, N	◊				
TBP28L42	MJ, J, N	▽	4096 Bits (512W × 8B)	60 ns	30 ns	250 mW
TBP28L46	MJW, JW, NW	▽				
TBP28L86A	MJW, JW, NW	▽	8192 Bits (1024W × 8B)	80 ns	35 ns	350 mW
TBP28L166	NW	▽	16,384 Bits (2084W × 8B)	65 ns	30 ns	350 mW

<sup>†</sup>MJ and MJW designates full-temperature-range circuits (formerly 54 Family). J, JW, N, and NW designates commercial-temperature-range circuits (formerly 74 Family).

<sup>‡</sup>▽ = three state, ◊ = open collector.

## schematics of inputs and outputs



## absolute maximum ratings over operating free-air temperature range (unless otherwise noted)

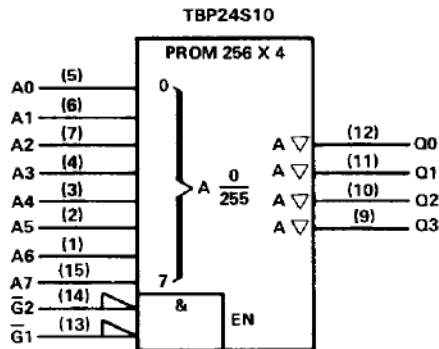
Supply voltage (see Note 1)	7 V
Input voltage	5.5 V
Chip-select peak input voltage (S, S1, S2) (see Note 2)	11 V
Off-state output voltage	5.5 V
Off-state peak output voltage (see Note 2)	16.25 V
Operating free-air temperature range: Full-temperature-range circuits (M suffix)	-55°C to 125°C
Commercial-temperature-range circuits	0°C to 70°C
Storage temperature range	-65°C to 150°C

NOTES: 1. Voltage values are with respect to network ground terminal.  
2. These ratings apply only under the conditions described in the programming procedure.

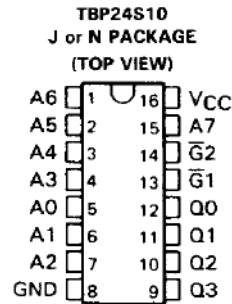
**TBP24S10**  
**1024 BIT (256 WORDS BY 4 BITS)**

**STANDARD PROGRAMMABLE READ-ONLY MEMORIES WITH 3-STATE OUTPUTS**

logic symbol



pin assignment



recommended operating conditions

PARAMETER	MJ			J OR N			UNIT
	MIN	NOM	MAX	MIN	NOM	MAX	
V <sub>CC</sub> Supply voltage	4.5	5	5.5	4.75	5	5.25	V
V <sub>IH</sub> High-level input voltage	2			2			V
V <sub>IL</sub> Low-level input voltage	0.8			0.8			V
I <sub>OH</sub> High-level output current	-2			-6.5			mA
I <sub>OL</sub> Low-level output current	16			16			mA
T <sub>A</sub> Operating free-air temperature range	-55	125		0	70		°C

electrical characteristics over recommended operating free-air temperature range (unless otherwise noted)

PARAMETER	TEST CONDITIONS <sup>†</sup>	MJ			J OR N			UNIT
		MIN	TYP <sup>‡</sup>	MAX	MIN	TYP <sup>‡</sup>	MAX	
V <sub>IK</sub>	V <sub>CC</sub> = MIN, I <sub>I</sub> = -18 mA	-1.2			-1.2			V
V <sub>OH</sub>	V <sub>CC</sub> = MIN, I <sub>OH</sub> = MAX	2.4	3.1		2.4	3.1	V	
V <sub>OL</sub>	V <sub>CC</sub> = MIN, I <sub>OL</sub> = 16 mA	0.5			0.5			V
I <sub>OZH</sub>	V <sub>CC</sub> = MAX, V <sub>O</sub> = 2.4 V	50			50			μA
I <sub>OZL</sub>	V <sub>CC</sub> = MAX, V <sub>O</sub> = 0.5 V	-50			-50			μA
I <sub>I</sub>	V <sub>CC</sub> = MAX, V <sub>I</sub> = 5.5 V	1			1			mA
I <sub>IH</sub>	V <sub>CC</sub> = MAX, V <sub>I</sub> = 2.7 V	25			25			μA
I <sub>IL</sub>	V <sub>CC</sub> = MAX, V <sub>I</sub> = 0.5 V	-0.25			-0.25			mA
I <sub>OS</sub> <sup>§</sup>	V <sub>CC</sub> = MAX	-30	-100		-30	-100		mA
I <sub>CC</sub>	V <sub>CC</sub> = MAX	75 100		75 100		mA		

switching characteristics over recommended ranges of T<sub>A</sub> and V<sub>CC</sub> (unless otherwise noted)

PARAMETER	TEST CONDITIONS	MJ			J OR N			UNIT
		MIN	TYP <sup>‡</sup>	MAX	MIN	TYP <sup>‡</sup>	MAX	
t <sub>a(A)</sub> Access time from address	C <sub>L</sub> = 30 pF	35	75		35	55	ns	
t <sub>a(S)</sub> Access time from chip select (enable time)	See Note 3	20	40		20	35	ns	
t <sub>dis</sub> Disable time	C <sub>L</sub> = 5 pF See Note 3	15	40		15	35	ns	

<sup>†</sup>For conditions shown as MIN or MAX, use appropriate value specified under recommended operating conditions.

<sup>‡</sup>All typical values are at V<sub>CC</sub> = 5 V, T<sub>A</sub> = 25°C.

<sup>§</sup>Not more than one output should be shorted at a time, and duration of the short circuit should not exceed one second.

NOTE 3: Load circuits and voltage waveforms are shown in Section 1.

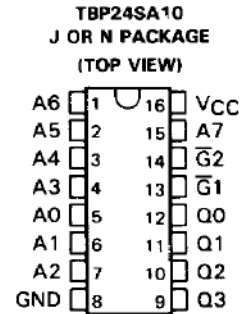
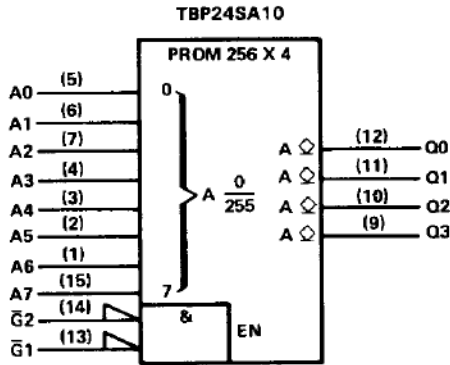
4

PROMS

**TBP24SA10**  
**1024 BITS (256 WORDS BY 4 BITS)**  
**STANDARD PROGRAMMABLE READ-ONLY MEMORIES WITH OPEN-COLLECTOR OUTPUTS**

logic symbol

pin assignment



recommended operating conditions

PARAMETER		MJ			J OR N			UNIT
		MIN	NOM	MAX	MIN	NOM	MAX	
V <sub>CC</sub>	Supply voltage	4.5	5	5.5	4.75	5	5.25	V
V <sub>IH</sub>	High-level input voltage	2			2			V
V <sub>IL</sub>	Low-level input voltage				0.8			V
V <sub>OH</sub>	High-level output voltage				5.5			V
I <sub>OL</sub>	Low-level output current				16			mA
T <sub>A</sub>	Operating free-air temperature range	-55			125			°C

4

PROMS

electrical characteristics over recommended operating free-air temperature range (unless otherwise noted)

PARAMETER	TEST CONDITIONS <sup>†</sup>	MJ			J OR N			UNIT
		MIN	TYP <sup>‡</sup>	MAX	MIN	TYP <sup>‡</sup>	MAX	
V <sub>IK</sub>	V <sub>CC</sub> = MIN, I <sub>I</sub> = -18 mA	-1.2			-1.2			V
I <sub>OH</sub>	V <sub>CC</sub> = MIN, V <sub>OH</sub> = 2.4 V	0.05			0.05			mA
		0.1			0.1			
V <sub>OL</sub>	V <sub>CC</sub> = MIN, I <sub>OL</sub> = 16 mA	0.5			0.45			V
I <sub>I</sub>	V <sub>CC</sub> = MAX, V <sub>I</sub> = 5.5 V	1			1			mA
I <sub>IH</sub>	V <sub>CC</sub> = MAX, V <sub>I</sub> = 2.7 V	25			25			μA
I <sub>IL</sub>	V <sub>CC</sub> = MAX, V <sub>I</sub> = 0.5 V	-0.25			-0.25			mA
I <sub>CC</sub>	V <sub>CC</sub> = MAX	75 100			75 100			mA

switching characteristics over recommended ranges of T<sub>A</sub> and V<sub>CC</sub> (unless otherwise noted)

PARAMETER	TEST CONDITIONS	MJ			J OR N			UNIT
		MIN	TYP <sup>‡</sup>	MAX	MIN	TYP <sup>‡</sup>	MAX	
t <sub>a(A)</sub>	Access time from address	35 75			35 65			ns
t <sub>a(S)</sub>	Access time from chip select (enable time)	20 40			20 35			
t <sub>PLH</sub>	Propagation delay time low-to-high-level output from chip select	15 40			20 35			ns

<sup>†</sup>For conditions shown as MIN or MAX, use appropriate value specified under recommended operating conditions.

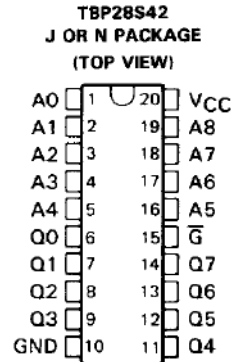
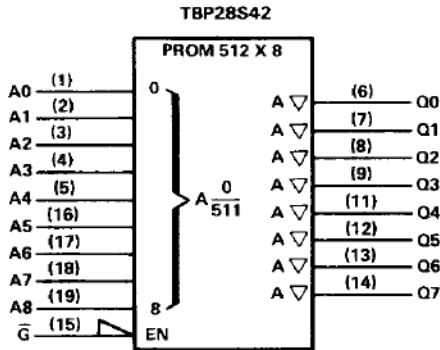
<sup>‡</sup>All typical values are at V<sub>CC</sub> = 5 V, T<sub>A</sub> = 25°C.

NOTE 3: Load circuits and voltage waveforms are shown in Section 1.

**TBP28S42**  
**4096 BITS (512 WORDS BY 8 BITS)**  
**STANDARD PROGRAMMABLE READ-ONLY MEMORIES WITH 3-STATE OUTPUTS**

logic symbol

pin assignment



recommended operating conditions

PARAMETER	MJ			J OR N			UNIT
	MIN	NOM	MAX	MIN	NOM	MAX	
V <sub>CC</sub> Supply voltage	4.5	5	5.5	4.75	5	5.25	V
V <sub>IH</sub> High-level input voltage	2			2			V
V <sub>IL</sub> Low-level input voltage			0.8			0.8	V
I <sub>OH</sub> High-level output current			-2			-6.5	mA
I <sub>OL</sub> Low-level output current			16			16	mA
T <sub>A</sub> Operating free-air temperature range	-55		125	0		70	°C

electrical characteristics over recommended operating free-air temperature range (unless otherwise noted)

PARAMETER	TEST CONDITIONS <sup>†</sup>	MJ			J OR N			UNIT
		MIN	TYP <sup>‡</sup>	MAX	MIN	TYP <sup>‡</sup>	MAX	
V <sub>IK</sub>	V <sub>CC</sub> = MIN, I <sub>I</sub> = -18 mA			-1.2			-1.2	V
V <sub>OH</sub>	V <sub>CC</sub> = MIN, I <sub>OH</sub> = MAX	2.4	3.1		2.4	3.1		V
V <sub>OL</sub>	V <sub>CC</sub> = MIN, I <sub>OL</sub> = 16 mA			0.5			0.5	V
I <sub>OZH</sub>	V <sub>CC</sub> = MAX, V <sub>O</sub> = 2.4 V			50			50	μA
I <sub>OZL</sub>	V <sub>CC</sub> = MAX, V <sub>O</sub> = 0.5 V			-50			-50	μA
I <sub>I</sub>	V <sub>CC</sub> = MAX, V <sub>I</sub> = 5.5 V			1			1	mA
I <sub>IH</sub>	V <sub>CC</sub> = MAX, V <sub>I</sub> = 2.7 V			25			25	μA
I <sub>IL</sub>	V <sub>CC</sub> = MAX, V <sub>I</sub> = 0.5 V			-0.25			-0.25	mA
I <sub>OS</sub> <sup>§</sup>	V <sub>CC</sub> = MAX	-30		-100	-30		-100	mA
I <sub>CC</sub>	V <sub>CC</sub> = MAX		100	135		100	135	mA

switching characteristics over recommended ranges of T<sub>A</sub> and V<sub>CC</sub> (unless otherwise noted)

PARAMETER	TEST CONDITIONS	MJ			J OR N			UNIT
		MIN	TYP <sup>‡</sup>	MAX	MIN	TYP <sup>‡</sup>	MAX	
t <sub>a(A)</sub> Access time from address	C <sub>L</sub> = 30 pF		35	70		35	60	ns
t <sub>a(S)</sub> Access time from chip select (enable time)	See Note 3		20	45		20	45	ns
t <sub>dis</sub> Disable time	C <sub>L</sub> = 5 pF See Note 3		15	45		15	40	ns

<sup>†</sup>For conditions shown as MIN or MAX, use appropriate value specified under recommended operating conditions.

<sup>‡</sup>All typical values are at V<sub>CC</sub> = 5 V, T<sub>A</sub> = 25°C.

<sup>§</sup>Not more than one output should be shorted at a time, and duration of the short circuit should not exceed one second.

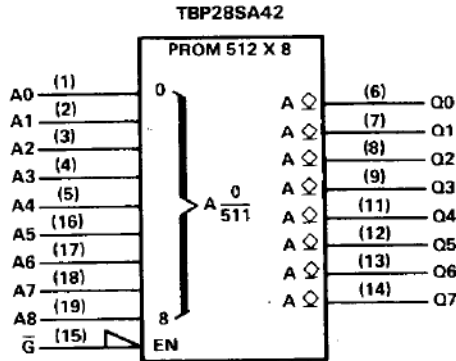
NOTE 3: Load circuits and voltage waveforms are shown in Section 1.

4

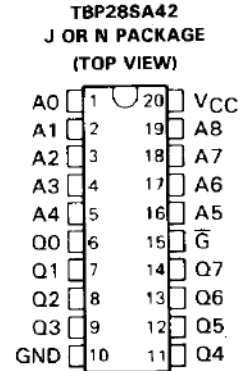
PROMS

**TBP28SA42**  
**4096 BITS (512 WORDS BY 8 BITS)**  
**STANDARD PROGRAMMABLE READ-ONLY MEMORIES WITH OPEN-COLLECTOR OUTPUTS**

logic symbol



pin assignment



recommended operating conditions

PARAMETER		MJ			J OR N			UNIT
		MIN	NOM	MAX	MIN	NOM	MAX	
V <sub>CC</sub>	Supply voltage	4.5	5	5.5	4.75	5	5.25	V
V <sub>IH</sub>	High-level input voltage	2			2			V
V <sub>IL</sub>	Low-level input voltage				0.8			V
V <sub>OH</sub>	High-level output voltage				5.5			V
I <sub>OL</sub>	Low-level output current				16			mA
T <sub>A</sub>	Operating free-air temperature range	-55			125			°C

4

PROMS

electrical characteristics over recommended operating free-air temperature range (unless otherwise noted)

PARAMETER	TEST CONDITIONS <sup>†</sup>	MJ			J OR N			UNIT
		MIN	TYP <sup>‡</sup>	MAX	MIN	TYP <sup>‡</sup>	MAX	
V <sub>IK</sub>	V <sub>CC</sub> = MIN, I <sub>I</sub> = -18 mA	-1.2			-1.2			V
I <sub>OH</sub>	V <sub>CC</sub> = MIN, V <sub>OH</sub> = 2.4 V	0.05			0.05			mA
		0.1			0.1			
V <sub>OL</sub>	V <sub>CC</sub> = MIN, I <sub>OL</sub> = 16 mA	0.5			0.5			V
I <sub>I</sub>	V <sub>CC</sub> = MAX, V <sub>I</sub> = 5.5 V	1			1			mA
I <sub>IH</sub>	V <sub>CC</sub> = MAX, V <sub>I</sub> = 2.7 V	25			25			μA
I <sub>IL</sub>	V <sub>CC</sub> = MAX, V <sub>I</sub> = 0.5 V	-0.25			-0.25			mA
I <sub>CC</sub>	V <sub>CC</sub> = MAX	105	135		105	135	mA	

switching characteristics over recommended ranges of T<sub>A</sub> and V<sub>CC</sub> (unless otherwise noted)

PARAMETER	TEST CONDITIONS	MJ			J OR N			UNIT
		MIN	TYP <sup>‡</sup>	MAX	MIN	TYP <sup>‡</sup>	MAX	
t <sub>a(A)</sub>	Access time from address	35	75		35	65	ns	
t <sub>a(S)</sub>	Access time from chip select (enable time)	20	45		20	35	ns	
t <sub>PLH</sub>	Propagation delay time low-to-high-level output from chip select	15	45		15	35	ns	

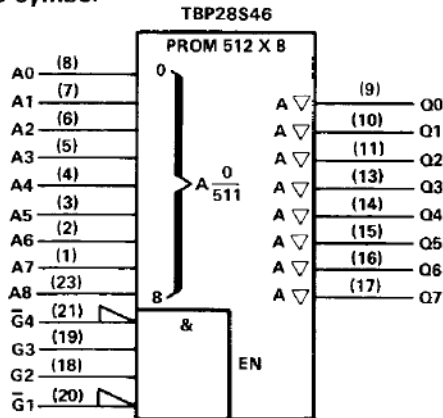
<sup>†</sup>For conditions shown as MIN or MAX, use appropriate value specified under recommended operating conditions.

<sup>‡</sup>All typical values are at V<sub>CC</sub> = 5 V, T<sub>A</sub> = 25°C.

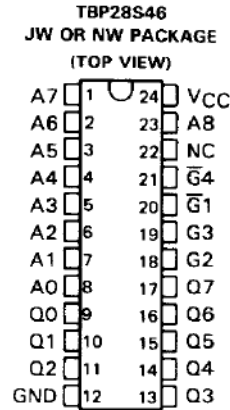
NOTE 3: Load circuits and voltage waveforms are shown in Section 1.

**TBP28S46**  
**4096 BITS (512 WORDS BY 8 BITS)**  
**STANDARD PROGRAMMABLE READ-ONLY MEMORIES WITH 3-STATE OUTPUTS**

logic symbol



pin assignment



recommended operating conditions

PARAMETER		MJW			JW OR NW			UNIT
		MIN	NOM	MAX	MIN	NOM	MAX	
V <sub>CC</sub>	Supply voltage	4.5	5	5.5	4.75	5	5.25	V
V <sub>IH</sub>	High-level input voltage	2			2			V
V <sub>IL</sub>	Low-level input voltage				0.8			V
I <sub>OH</sub>	High-level output current				-2			mA
I <sub>OL</sub>	Low-level output current				16			mA
T <sub>A</sub>	Operating free-air temperature range	-55			125			°C

electrical characteristics over recommended operating free-air temperature range (unless otherwise noted)

PARAMETER	TEST CONDITIONS <sup>†</sup>	MJW		JW OR NW		UNIT	
		MIN	TYP <sup>‡</sup>	MAX	MIN		TYP <sup>‡</sup>
V <sub>IK</sub>	V <sub>CC</sub> = MIN, I <sub>I</sub> = -18 mA			-1.2		V	
V <sub>OH</sub>	V <sub>CC</sub> = MIN, I <sub>OH</sub> = MAX	2.4	3.1			V	
V <sub>OL</sub>	V <sub>CC</sub> = MIN, I <sub>OL</sub> = 16 mA			0.5		V	
I <sub>OZH</sub>	V <sub>CC</sub> = MAX, V <sub>O</sub> = 2.4 V			50		μA	
I <sub>OZL</sub>	V <sub>CC</sub> = MAX, V <sub>O</sub> = 0.5 V			-50		μA	
I <sub>I</sub>	V <sub>CC</sub> = MAX, V <sub>I</sub> = 5.5 V			1		mA	
I <sub>IH</sub>	V <sub>CC</sub> = MAX, V <sub>I</sub> = 2.7 V			25		μA	
I <sub>IL</sub>	V <sub>CC</sub> = MAX, V <sub>I</sub> = 0.5 V			-0.25		mA	
I <sub>OS</sub> <sup>§</sup>	V <sub>CC</sub> = MAX	-15		-100	-20	-100	mA
I <sub>CC</sub>	V <sub>CC</sub> = MAX	100	135			mA	

switching characteristics over recommended ranges of T<sub>A</sub> and V<sub>CC</sub> (unless otherwise noted)

PARAMETER	TEST CONDITIONS	MJW			JW OR NW			UNIT
		MIN	TYP <sup>‡</sup>	MAX	MIN	TYP <sup>‡</sup>	MAX	
t <sub>a(A)</sub>	Access time from address C <sub>L</sub> = 30 pF	35	70				ns	
t <sub>a(S)</sub>	Access time from chip select (enable time) See Note 3	20	45				ns	
t <sub>dis</sub>	Disable time C <sub>L</sub> = 5 pF See Note 3	15	40				ns	

<sup>†</sup>For conditions shown as MIN or MAX, use appropriate value specified under recommended operating conditions.

<sup>‡</sup>All typical values are at V<sub>CC</sub> = 5 V, T<sub>A</sub> = 25 °C.

<sup>§</sup>Not more than one output should be shorted at a time, and duration of the short circuit should not exceed one second.

NOTE 3: Load circuits and voltage waveforms are shown in Section 1.

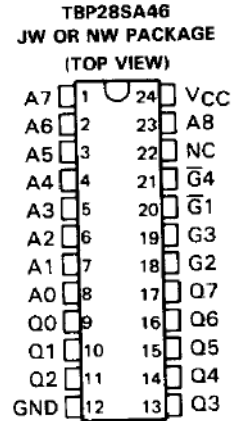
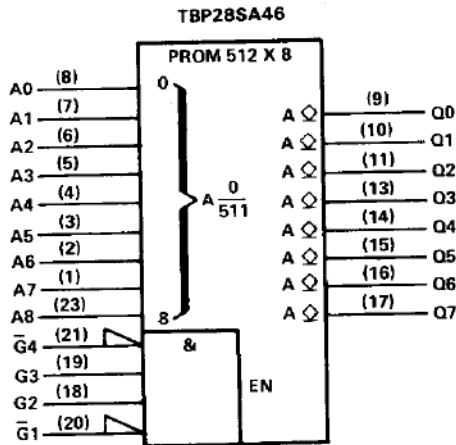
4

PROMS

**TBP28SA46**  
**4096 BITS (512 WORDS BY 8 BITS)**  
**STANDARD PROGRAMMABLE READ-ONLY MEMORIES WITH OPEN-COLLECTOR OUTPUTS**

logic symbol

pin assignment



recommended operating conditions

PARAMETER	MJW			JW OR NW			UNIT
	MIN	NOM	MAX	MIN	NOM	MAX	
V <sub>CC</sub> Supply voltage	4.5	5	5.5	4.75	5	5.25	V
V <sub>IH</sub> High-level input voltage	2			2			V
V <sub>IL</sub> Low-level input voltage	0.8			0.8			V
V <sub>OH</sub> High-level output voltage	5.5			5.5			V
I <sub>OL</sub> Low-level output current	16			16			mA
T <sub>A</sub> Operating free-air temperature range	-55			125			0 70 °C

4

PROMS

electrical characteristics over recommended operating free-air temperature range (unless otherwise noted)

PARAMETER	TEST CONDITIONS <sup>†</sup>	MJW			JW OR NW			UNIT
		MIN	TYP <sup>‡</sup>	MAX	MIN	TYP <sup>‡</sup>	MAX	
V <sub>IK</sub>	V <sub>CC</sub> = MIN, I <sub>I</sub> = -18 mA	-1.2			-1.2			V
I <sub>OH</sub>	V <sub>CC</sub> = MIN, V <sub>OH</sub> = 2.4 V	0.05			0.05			mA
		0.1			0.1			mA
V <sub>OL</sub>	V <sub>CC</sub> = MIN, I <sub>OL</sub> = 16 mA	0.5			0.5			V
I <sub>I</sub>	V <sub>CC</sub> = MAX, V <sub>I</sub> = 5.5 V	1			1			mA
I <sub>IH</sub>	V <sub>CC</sub> = MAX, V <sub>I</sub> = 2.7 V	25			25			μA
I <sub>IL</sub>	V <sub>CC</sub> = MAX, V <sub>I</sub> = 0.5 V	-0.25			-0.25			mA
I <sub>CC</sub>	V <sub>CC</sub> = MAX	100	135		100	135	mA	

switching characteristics over recommended ranges of T<sub>A</sub> and V<sub>CC</sub> (unless otherwise noted)

PARAMETER	TEST CONDITIONS	MJW			JW OR NW			UNIT
		MIN	TYP <sup>‡</sup>	MAX	MIN	TYP <sup>‡</sup>	MAX	
t <sub>a(A)</sub> Access time from address	C <sub>L</sub> = 30 pF	35		75	35		65	ns
t <sub>a(S)</sub> Access time from chip select (enable time)	R <sub>L1</sub> = 300 Ω	20		45	20		35	ns
t <sub>PLH</sub> Propagation delay time low-to-high-level output from chip select	R <sub>L2</sub> = 600 Ω See Note 3	15		40	15		35	ns

<sup>†</sup>For conditions shown as MIN or MAX, use appropriate value specified under recommended operating conditions.

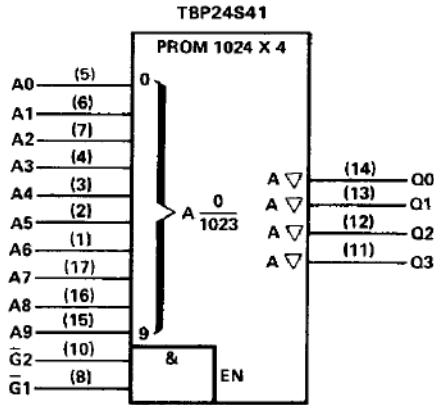
<sup>‡</sup>All typical values are at V<sub>CC</sub> = 5 V, T<sub>A</sub> = 25 °C.

NOTE 3: Load circuits and voltage waveforms are shown in Section 1.

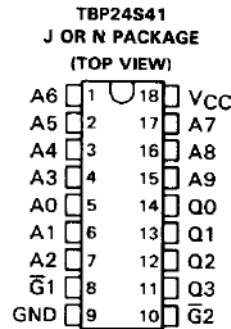


**TBP24S41**  
**4096 BITS (1024 WORDS BY 4 BITS)**  
**STANDARD PROGRAMMABLE READ-ONLY MEMORIES WITH 3-STATE OUTPUTS**

**logic symbol**



**pin assignment**



**recommended operating conditions**

PARAMETER	MJ			J OR N			UNIT
	MIN	NOM	MAX	MIN	NOM	MAX	
V <sub>CC</sub> Supply voltage	4.5	5	5.5	4.75	5	5.25	V
V <sub>IH</sub> High-level input voltage	2			2			V
V <sub>IL</sub> Low-level input voltage			0.8			0.8	V
I <sub>OH</sub> High-level output current			-2			-3.2	mA
I <sub>OL</sub> Low-level output current			16			16	mA
T <sub>A</sub> Operating free-air temperature range	-55		125	0		70	°C

**electrical characteristics over recommended operating free-air temperature range (unless otherwise noted)**

PARAMETER	TEST CONDITIONS <sup>†</sup>	MJ			J OR N			UNIT
		MIN	TYP <sup>‡</sup>	MAX	MIN	TYP <sup>‡</sup>	MAX	
V <sub>IK</sub>	V <sub>CC</sub> = MIN, I <sub>I</sub> = -18 mA			-1.2			-1.2	V
V <sub>OH</sub>	V <sub>CC</sub> = MIN, I <sub>OH</sub> = MAX	2.4	3.1		2.4	3.1		V
V <sub>OL</sub>	V <sub>CC</sub> = MIN, I <sub>OL</sub> = 16 mA			0.5			0.5	V
I <sub>OZH</sub>	V <sub>CC</sub> = MAX, V <sub>O</sub> = 2.4 V			50			50	μA
I <sub>OZL</sub>	V <sub>CC</sub> = MAX, V <sub>O</sub> = 0.5 V			-50			-50	μA
I <sub>I</sub>	V <sub>CC</sub> = MAX, V <sub>I</sub> = 5.5 V			1			1	mA
I <sub>IH</sub>	V <sub>CC</sub> = MAX, V <sub>I</sub> = 2.7 V			25			25	μA
I <sub>IL</sub>	V <sub>CC</sub> = MAX, V <sub>I</sub> = 0.5 V			-0.25			-0.25	mA
I <sub>OS</sub> <sup>§</sup>	V <sub>CC</sub> = MAX	-15		-100	-20		-100	mA
I <sub>CC</sub>	V <sub>CC</sub> = MAX		95	140		95	140	mA

**switching characteristics over recommended ranges of T<sub>A</sub> and V<sub>CC</sub> (unless otherwise noted)**

PARAMETER	TEST CONDITIONS	MJ			J OR N			UNIT
		MIN	TYP <sup>‡</sup>	MAX	MIN	TYP <sup>‡</sup>	MAX	
t <sub>a(A)</sub> Access time from address	C <sub>L</sub> = 30 pF		40	75		40	60	ns
t <sub>a(S)</sub> Access time from chip select (enable time)	See Note 3		20	40		20	30	ns
t <sub>dis</sub> Disable time	C <sub>L</sub> = 5 pF See Note 3		20	40		20	30	ns

<sup>†</sup>For conditions shown as MIN or MAX, use appropriate value specified under recommended operating conditions.

<sup>‡</sup>All typical values are at V<sub>CC</sub> = 5 V, T<sub>A</sub> = 25°C.

<sup>§</sup>Not more than one output should be shorted at a time, and duration of the short circuit should not exceed one second.

NOTE 3: Load circuits and voltage waveforms are shown in Section 1.

4

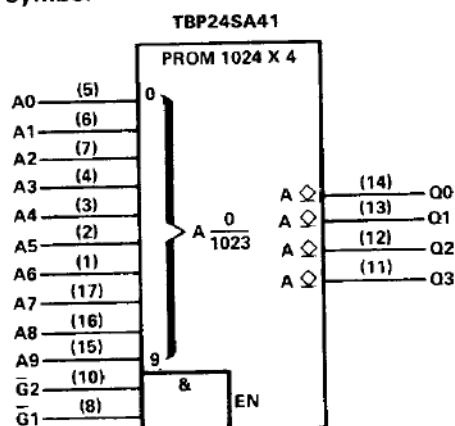
**PROMS**

# TBP24SA41

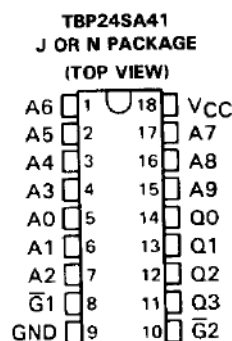
## 4096 BITS (1024 WORDS BY 4 BITS)

### STANDARD PROGRAMMABLE READ-ONLY MEMORIES WITH OPEN-COLLECTOR OUTPUTS

logic symbol



pin assignment



recommended operating conditions

PARAMETER	MJ			J OR N			UNIT		
	MIN	NOM	MAX	MIN	NOM	MAX			
V <sub>CC</sub> Supply voltage	4.5	5	5.5	4.75	5	5.25	V		
V <sub>IH</sub> High-level input voltage	2			2			V		
V <sub>IL</sub> Low-level input voltage	0.8			0.8			V		
V <sub>OH</sub> High-level output voltage	5.5			5.5			V		
I <sub>OL</sub> Low-level output current	16			16			mA		
T <sub>A</sub> Operating free-air temperature range	-55			125			0	70	°C

electrical characteristics over recommended operating free-air temperature range (unless otherwise noted)

PARAMETER	TEST CONDITIONS <sup>†</sup>	MJ			J OR N			UNIT
		MIN	TYP <sup>‡</sup>	MAX	MIN	TYP <sup>‡</sup>	MAX	
V <sub>IK</sub>	V <sub>CC</sub> = MIN, I <sub>I</sub> = -18 mA	-1.2			-1.2			V
I <sub>OH</sub>	V <sub>CC</sub> = MIN, V <sub>OH</sub> = 2.4 V	0.05			0.05			mA
		0.1			0.1			
V <sub>OL</sub>	V <sub>CC</sub> = MIN, I <sub>OL</sub> = 16 mA	0.5			0.5			V
I <sub>I</sub>	V <sub>CC</sub> = MAX, V <sub>I</sub> = 5.5 V	1			1			mA
I <sub>IH</sub>	V <sub>CC</sub> = MAX, V <sub>I</sub> = 2.7 V	25			25			μA
I <sub>IL</sub>	V <sub>CC</sub> = MAX, V <sub>I</sub> = 0.5 V	-0.25			-0.25			mA
I <sub>CC</sub>	V <sub>CC</sub> = MAX	95			140			mA

switching characteristics over recommended ranges of T<sub>A</sub> and V<sub>CC</sub> (unless otherwise noted)

PARAMETER	TEST CONDITIONS	MJ			J OR N			UNIT
		MIN	TYP <sup>‡</sup>	MAX	MIN	TYP <sup>‡</sup>	MAX	
t <sub>a(A)</sub> Access time from address	C <sub>L</sub> = 30 pF	40	75	40	60	ns		
t <sub>a(S)</sub> Access time from chip select (enable time)	R <sub>L1</sub> = 300 Ω	20	40	20	30	ns		
t <sub>PLH</sub> Propagation delay time low-to-high-level output from chip select	R <sub>L2</sub> = 600 Ω See Note 3	20	40	20	30	ns		

<sup>†</sup>For conditions shown as MIN or MAX, use appropriate value specified under recommended operating conditions.

<sup>‡</sup>All typical values are at V<sub>CC</sub> = 5 V, T<sub>A</sub> = 25°C.

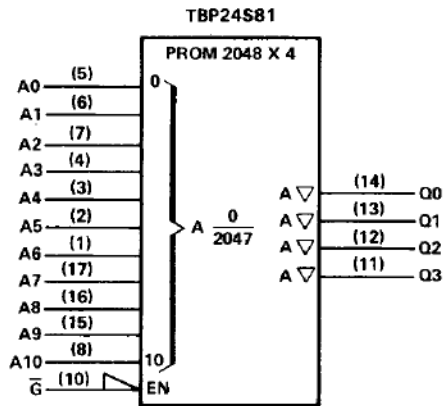
NOTE 3: Load circuits and voltage waveforms are shown in Section 1.

4

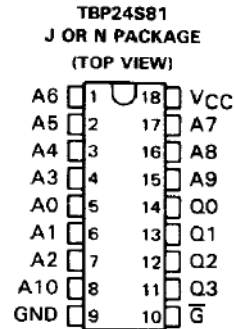
PROMS

**TBP24S81**  
**8192 BITS (2048 WORDS BY 4 BITS)**  
**STANDARD PROGRAMMABLE READ-ONLY MEMORIES WITH 3-STATE OUTPUTS**

logic symbol



pin assignment



recommended operating conditions

PARAMETER		MJ			J OR N			UNIT
		MIN	NOM	MAX	MIN	NOM	MAX	
V <sub>CC</sub>	Supply voltage	4.5	5	5.5	4.75	5	5.25	V
V <sub>IH</sub>	High-level input voltage	2			2			V
V <sub>IL</sub>	Low-level input voltage				0.8			V
I <sub>OH</sub>	High-level output current				-2			mA
I <sub>OL</sub>	Low-level output current				16			mA
T <sub>A</sub>	Operating free-air temperature range	-55			125			°C

electrical characteristics over recommended operating free-air temperature range (unless otherwise noted)

PARAMETER	TEST CONDITIONS <sup>†</sup>	MJ			J OR N			UNIT
		MIN	TYP <sup>‡</sup>	MAX	MIN	TYP <sup>‡</sup>	MAX	
V <sub>IK</sub>	V <sub>CC</sub> = MIN, I <sub>I</sub> = -18 mA	-1.2			-1.2			V
V <sub>OH</sub>	V <sub>CC</sub> = MIN, I <sub>OH</sub> = MAX	2.4	3.1		2.4	3.1	V	
V <sub>OL</sub>	V <sub>CC</sub> = MIN, I <sub>OL</sub> = 16 mA	0.5			0.5			V
I <sub>OZH</sub>	V <sub>CC</sub> = MAX, V <sub>O</sub> = 2.4 V	50			50			μA
I <sub>OZL</sub>	V <sub>CC</sub> = MAX, V <sub>O</sub> = 0.5 V	-50			-50			μA
I <sub>I</sub>	V <sub>CC</sub> = MAX, V <sub>I</sub> = 5.5 V	1			1			mA
I <sub>IH</sub>	V <sub>CC</sub> = MAX, V <sub>I</sub> = 2.7 V	25			25			μA
I <sub>IL</sub>	V <sub>CC</sub> = MAX, V <sub>I</sub> = 0.5 V	-0.25			-0.25			mA
I <sub>OS</sub> <sup>§</sup>	V <sub>CC</sub> = MAX	-15		-100	-20		-100	mA
I <sub>CC</sub>	V <sub>CC</sub> = MAX	125		175	125		175	mA

switching characteristics over recommended ranges of T<sub>A</sub> and V<sub>CC</sub> (unless otherwise noted)

PARAMETER	TEST CONDITIONS	MJ			J OR N			UNIT
		MIN	TYP <sup>‡</sup>	MAX	MIN	TYP <sup>‡</sup>	MAX	
t <sub>a(A)</sub>	Access time from address C <sub>L</sub> = 30 pF	45		85	45		70	ns
t <sub>a(S)</sub>	Access time from chip select (enable time) See Note 3	20		50	20		40	ns
t <sub>dis</sub>	Disable time C <sub>L</sub> = 5 pF See Note 3	20		50	20		40	ns

<sup>†</sup>For conditions shown as MIN or MAX, use appropriate value specified under recommended operating conditions.

<sup>‡</sup>All typical values are at V<sub>CC</sub> = 5 V, T<sub>A</sub> = 25°C.

<sup>§</sup>Not more than one output should be shorted at a time, and duration of the short circuit should not exceed one second.

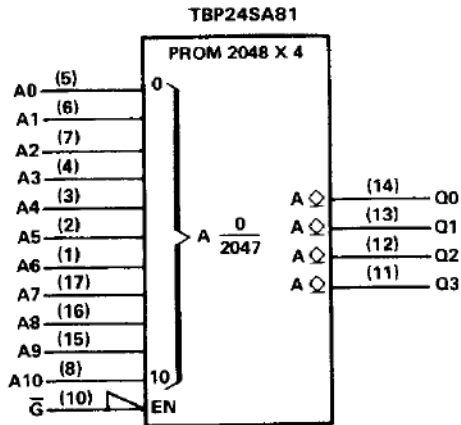
NOTE 3: Load circuits and voltage waveforms are shown in Section 1.

4

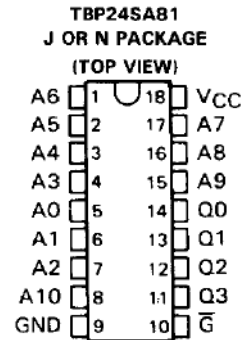
PROMs

**TBP24SA81**  
**8192 BITS (2048 WORDS BY 4 BITS)**  
**STANDARD PROGRAMMABLE READ-ONLY MEMORIES WITH OPEN-COLLECTOR OUTPUTS**

logic symbol



pin assignment



recommended operating conditions

PARAMETER		MJ			J OR N			UNIT
		MIN	NOM	MAX	MIN	NOM	MAX	
VCC	Supply voltage	4.5	5	5.5	4.75	5	5.25	V
V <sub>IH</sub>	High-level input voltage	2			2			V
V <sub>IL</sub>	Low-level input voltage				0.8			V
V <sub>OH</sub>	High-level output voltage				5.5			V
I <sub>OL</sub>	Low-level output current				16			mA
T <sub>A</sub>	Operating free-air temperature range	-55			125			°C

electrical characteristics over recommended operating free-air temperature range (unless otherwise noted)

PARAMETER	TEST CONDITIONS <sup>†</sup>	MJ			J OR N			UNIT
		MIN	TYP <sup>‡</sup>	MAX	MIN	TYP <sup>‡</sup>	MAX	
V <sub>IK</sub>	V <sub>CC</sub> = MIN, I <sub>I</sub> = -18 mA	-1.2			-1.2			V
I <sub>OH</sub>	V <sub>CC</sub> = MIN, V <sub>OH</sub> = 2.4 V	0.05			0.05			VmA
		0.1			0.1			
V <sub>OL</sub>	V <sub>CC</sub> = MIN, I <sub>OL</sub> = 16 mA	0.5			0.5			V
I <sub>I</sub>	V <sub>CC</sub> = MAX, V <sub>I</sub> = 5.5 V	1			1			mA
I <sub>IH</sub>	V <sub>CC</sub> = MAX, V <sub>I</sub> = 2.7 V	25			25			μA
I <sub>IL</sub>	V <sub>CC</sub> = MAX, V <sub>I</sub> = 0.5 V	-0.25			-0.25			mA
I <sub>CC</sub>	V <sub>CC</sub> = MAX	125			175			mA

switching characteristics over recommended ranges of T<sub>A</sub> and V<sub>CC</sub> (unless otherwise noted)

PARAMETER	TEST CONDITIONS	MJ			J OR N			UNIT
		MIN	TYP <sup>‡</sup>	MAX	MIN	TYP <sup>‡</sup>	MAX	
t <sub>a(A)</sub>	Access time from address	45			45			ns
t <sub>a(S)</sub>	Access time from chip select (enable time)	20			20			
t <sub>PLH</sub>	Propagation delay time low-to-high-level output from chip select	20			20			ns

<sup>†</sup>For conditions shown as MIN or MAX, use appropriate value specified under recommended operating conditions.

<sup>‡</sup>All typical values are at V<sub>CC</sub> = 5 V, T<sub>A</sub> = 25°C.

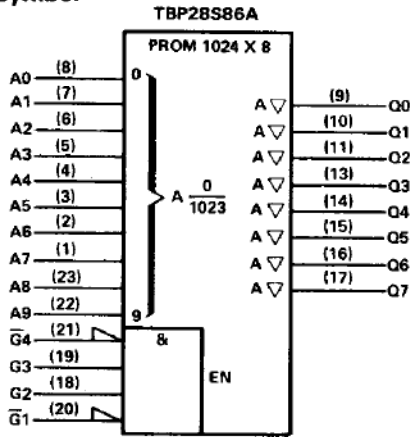
NOTE 3: Load circuits and voltage waveforms are shown in Section 1.

4

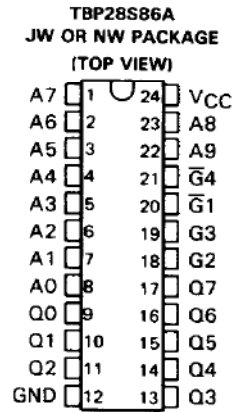
PROMS

**TBP28S86A**  
**8192 BITS (1024 WORDS BY 8 BITS)**  
**STANDARD PROGRAMMABLE READ-ONLY MEMORIES WITH 3-STATE OUTPUTS**

**logic symbol**



**pin assignment**



**recommended operating conditions**

PARAMETER		MJW			JW OR NW			UNIT
		MIN	NOM	MAX	MIN	NOM	MAX	
V <sub>CC</sub>	Supply voltage	4.5	5	5.5	4.75	5	5.25	V
V <sub>IH</sub>	High-level input voltage	2			2			V
V <sub>IL</sub>	Low-level input voltage				0.8			V
I <sub>OH</sub>	High-level output current				-2			mA
I <sub>OL</sub>	Low-level output current				12			mA
T <sub>A</sub>	Operating free-air temperature range	-55			125			°C

**electrical characteristics over recommended operating free-air temperature range (unless otherwise noted)**

PARAMETER	TEST CONDITIONS <sup>†</sup>	MJW			JW OR NW			UNIT
		MIN	TYP <sup>‡</sup>	MAX	MIN	TYP <sup>‡</sup>	MAX	
V <sub>IK</sub>	V <sub>CC</sub> = MIN, I <sub>I</sub> = -18 mA	-1.2			-1.2			V
V <sub>OH</sub>	V <sub>CC</sub> = MIN, I <sub>OH</sub> = MAX	2.4	3.1		2.4	3.1	V	
V <sub>OL</sub>	V <sub>CC</sub> = MIN, I <sub>OL</sub> = 12 mA	0.5			0.5			V
I <sub>OZH</sub>	V <sub>CC</sub> = MAX, V <sub>O</sub> = 2.4 V	50			50			μA
I <sub>OZL</sub>	V <sub>CC</sub> = MAX, V <sub>O</sub> = 0.5 V	-50			-50			μA
I <sub>I</sub>	V <sub>CC</sub> = MAX, V <sub>I</sub> = 5.5 V	1			1			mA
I <sub>IH</sub>	V <sub>CC</sub> = MAX, V <sub>I</sub> = 2.7 V	25			25			μA
I <sub>IL</sub>	V <sub>CC</sub> = MAX, V <sub>I</sub> = 0.5 V	-0.25			-0.25			mA
I <sub>OS</sub> <sup>§</sup>	V <sub>CC</sub> = MAX	-15		-100	-20		-100	mA
I <sub>CC</sub>	V <sub>CC</sub> = MAX	110			170			mA

**switching characteristics over recommended ranges of T<sub>A</sub> and V<sub>CC</sub> (unless otherwise noted)**

PARAMETER	TEST CONDITIONS	MJW			JW OR NW			UNIT	
		MIN	TYP <sup>‡</sup>	MAX	MIN	TYP <sup>‡</sup>	MAX		
t <sub>a(A)</sub>	Access time from address	C <sub>L</sub> = 30 pF			35	80	35	65	ns
t <sub>a(S)</sub>	Access time from chip select (enable time)	See Note 3			20	50	20	40	ns
t <sub>dis</sub>	Disable time	C <sub>L</sub> = 5 pF See Note 3			15	40	15	35	ns

<sup>†</sup>For conditions shown as MIN or MAX, use appropriate value specified under recommended operating conditions.

<sup>‡</sup>All typical values are at V<sub>CC</sub> = 5 V, T<sub>A</sub> = 25°C.

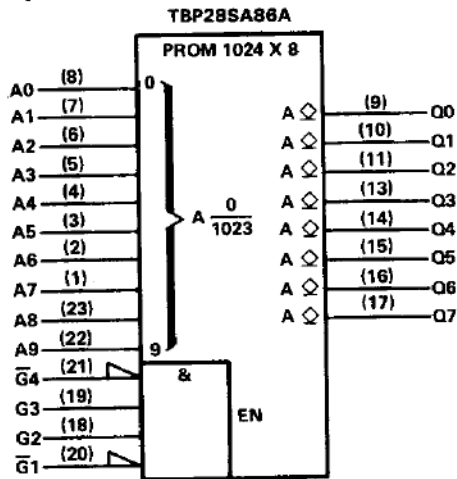
<sup>§</sup>Not more than one output should be shorted at a time, and duration of the short circuit should not exceed one second.

NOTE 3: Load circuits and voltage waveforms are shown in Section 1.

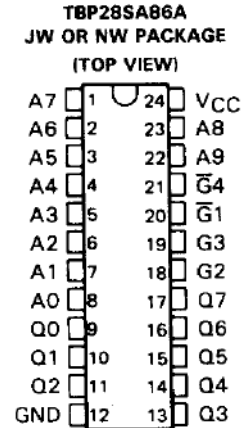
**4**  
**PROMS**

**TBP28SA86A**  
**8192 BITS (1024 WORDS BY 8 BITS)**  
**STANDARD PROGRAMMABLE READ-ONLY MEMORIES WITH OPEN-COLLECTOR OUTPUTS**

logic symbol



pin assignment



recommended operating conditions

PARAMETER	MJW			JW OR NW			UNIT
	MIN	NOM	MAX	MIN	NOM	MAX	
VCC Supply voltage	4.5	5	5.5	4.75	5	5.25	V
V <sub>IH</sub> High-level input voltage	2			2			V
V <sub>IL</sub> Low-level input voltage			0.8			0.8	V
V <sub>OH</sub> High-level output voltage			5.5			5.5	V
I <sub>OL</sub> Low-level output current			12			12	mA
T <sub>A</sub> Operating free-air temperature range	-55		125	0		70	°C

4

PROMS

electrical characteristics over recommended operating free-air temperature range (unless otherwise noted)

PARAMETER	TEST CONDITIONS <sup>†</sup>	MJW		JW OR NW		UNIT	
		MIN	TYP <sup>‡</sup>	MAX	MIN		TYP <sup>‡</sup>
V <sub>IK</sub>	VCC = MIN, I <sub>I</sub> = -18 mA			-1.2		-1.2	V
I <sub>OH</sub>	VCC = MIN, V <sub>OH</sub> = 2.4 V			0.05		0.05	mA
				0.1		0.1	
V <sub>OL</sub>	VCC = MIN, I <sub>OL</sub> = 12 mA			0.5		0.5	V
I <sub>I</sub>	VCC = MAX, V <sub>I</sub> = 5.5 V			1		1	mA
I <sub>IH</sub>	VCC = MAX, V <sub>I</sub> = 2.7 V			25		25	μA
I <sub>IL</sub>	VCC = MAX, V <sub>I</sub> = 0.5 V			-0.25		-0.25	mA
I <sub>CC</sub>	VCC = MAX	125	175	125	175	mA	

switching characteristics over recommended ranges of T<sub>A</sub> and VCC (unless otherwise noted)

PARAMETER	TEST CONDITIONS	MJW		JW OR NW		UNIT		
		MIN	TYP <sup>‡</sup>	MAX	MIN		TYP <sup>‡</sup>	MAX
t <sub>a(A)</sub> Access time from address	C <sub>L</sub> = 30 pF		35	80		35	70	ns
t <sub>a(S)</sub> Access time from chip select (enable time)	R <sub>L1</sub> = 300 Ω		20	50		20	40	ns
t <sub>PLH</sub> Propagation delay time low-to-high-level output from chip select	R <sub>L2</sub> = 600 Ω See Note 3		15	40		15	35	ns

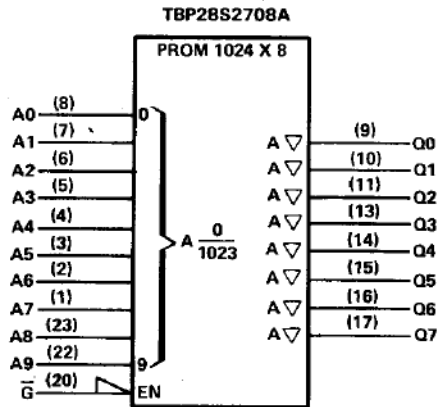
<sup>†</sup>For conditions shown as MIN or MAX, use appropriate value specified under recommended operating conditions.

<sup>‡</sup>All typical values are at VCC = 5 V, T<sub>A</sub> = 25°C.

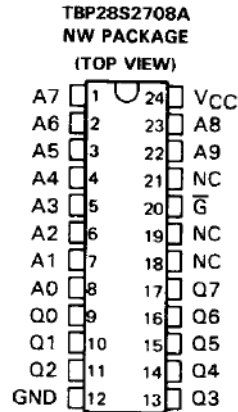
NOTE 3: Load circuits and voltage waveforms are shown in Section 1.

**TBP28S2708A**  
**8192 BITS (1024 WORDS BY 8 BITS)**  
**STANDARD PROGRAMMABLE READ-ONLY MEMORIES WITH 3-STATE OUTPUTS**

**logic symbol**



**pin assignment**



**recommended operating conditions**

PARAMETER	NW	UNIT		
		MIN	NOM	MAX
V <sub>CC</sub> Supply voltage	4.75	5	5.25	V
V <sub>IH</sub> High-level input voltage	2			V
V <sub>IL</sub> Low-level input voltage			0.8	V
I <sub>OH</sub> High-level output current			-3.2	mA
I <sub>OL</sub> Low-level output current			12	mA
T <sub>A</sub> Operating free-air temperature range	0		70	°C

**electrical characteristics over recommended operating free-air temperature range (unless otherwise noted)**

PARAMETER	TEST CONDITIONS	NW		UNIT	
		MIN	TYP <sup>†</sup>		MAX
V <sub>IK</sub>	V <sub>CC</sub> = 4.75, I <sub>I</sub> = -18 mA			-1.2	V
V <sub>OH</sub>	V <sub>CC</sub> = 4.75, I <sub>OH</sub> = -3.2 mA	2.4	3.1		V
V <sub>OL</sub>	V <sub>CC</sub> = 4.75, I <sub>OL</sub> = 12 mA			0.5	V
I <sub>OZH</sub>	V <sub>CC</sub> = 5.25, V <sub>O</sub> = 2.4 V			50	μA
I <sub>OZL</sub>	V <sub>CC</sub> = 5.25, V <sub>O</sub> = 0.5 V			-50	μA
I <sub>I</sub>	V <sub>CC</sub> = 5.25, V <sub>I</sub> = 5.5 V			1	mA
I <sub>IH</sub>	V <sub>CC</sub> = 5.25, V <sub>I</sub> = 2.7 V			25	μA
I <sub>IL</sub>	V <sub>CC</sub> = 5.25, V <sub>I</sub> = 0.5 V			-0.25	mA
I <sub>OS</sub> <sup>‡</sup>	V <sub>CC</sub> = 5.25	-20		-100	mA
I <sub>CC</sub>	V <sub>CC</sub> = 5.25		110	165	mA

**switching characteristics over recommended ranges of T<sub>A</sub> and V<sub>CC</sub> (unless otherwise noted)**

PARAMETER	TEST CONDITIONS	NW		UNIT	
		MIN	TYP <sup>†</sup>		MAX
t <sub>a(A)</sub> Access time from address	C <sub>L</sub> = 30 pF		45	70	ns
t <sub>a(S)</sub> Access time from chip select (enable time)	See Note 3		20	40	ns
t <sub>dis</sub> Disable time	C <sub>L</sub> = 5 pF See Note 3		20	40	ns

<sup>†</sup>All typical values are at V<sub>CC</sub> = 5 V, T<sub>A</sub> = 25°C.

<sup>‡</sup>Not more than one output should be shorted at a time, and duration of the short circuit should not exceed one second.

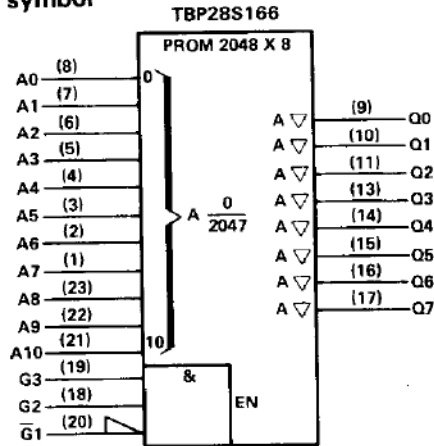
NOTE 3: Load circuits and voltage waveforms are shown in Section 1.

4

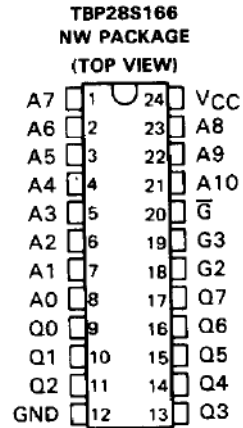
PROMS

**TBP28S166**  
**16,384 BITS (2048 WORDS BY 8 BITS)**  
**STANDARD PROGRAMMABLE READ-ONLY MEMORIES WITH 3-STATE OUTPUTS**

logic symbol



pin assignment



recommended operating conditions

PARAMETER	NW			UNIT
	MIN	NOM	MAX	
V <sub>CC</sub> Supply voltage	4.75	5	5.25	V
V <sub>IH</sub> High-level input voltage	2			V
V <sub>IL</sub> Low-level input voltage				0.8 V
I <sub>OH</sub> High-level output current				-3.2 mA
I <sub>OL</sub> Low-level output current				16 mA
T <sub>A</sub> Operating free-air temperature range	0	70		°C

4

PROMS

electrical characteristics over recommended operating free-air temperature range (unless otherwise noted)

PARAMETER	TEST CONDITIONS	NW		UNIT
		MIN	TYP <sup>†</sup> MAX	
V <sub>IK</sub>	V <sub>CC</sub> = 4.75, I <sub>I</sub> = -18 mA		-1.2	V
V <sub>OH</sub>	V <sub>CC</sub> = 4.75, I <sub>OH</sub> = -3.2 mA	2.4	3.1	V
V <sub>OL</sub>	V <sub>CC</sub> = 4.75, I <sub>OL</sub> = 16 mA	0.5		V
I <sub>OZH</sub>	V <sub>CC</sub> = 5.25, V <sub>O</sub> = 2.4 V	50		μA
I <sub>OZL</sub>	V <sub>CC</sub> = 5.25, V <sub>O</sub> = 0.5 V	-50		μA
I <sub>I</sub>	V <sub>CC</sub> = 5.25, V <sub>I</sub> = 5.5 V	1		mA
I <sub>IH</sub>	V <sub>CC</sub> = 5.25, V <sub>I</sub> = 2.7 V	25		μA
I <sub>IL</sub>	V <sub>CC</sub> = 5.25, V <sub>I</sub> = 0.5 V	-0.25		mA
I <sub>OS</sub> <sup>‡</sup>	V <sub>CC</sub> = 5.25	-20	-100	mA
I <sub>CC</sub>	V <sub>CC</sub> = 5.25	130	175	mA

switching characteristics over recommended ranges of T<sub>A</sub> and V<sub>CC</sub> (unless otherwise noted)

PARAMETER	TEST CONDITIONS	NW		UNIT
		MIN	TYP <sup>†</sup> MAX	
t <sub>a(A)</sub> Access time from address	C <sub>L</sub> = 30 pF		35 75	ns
t <sub>a(S)</sub> Access time from chip select (enable time)	See Note 3		15 40	ns
t <sub>dis</sub> Disable time	C <sub>L</sub> = 5 pF See Note 3		15 40	ns

<sup>†</sup>All typical values are at V<sub>CC</sub> = 5 V, T<sub>A</sub> = 25 °C.

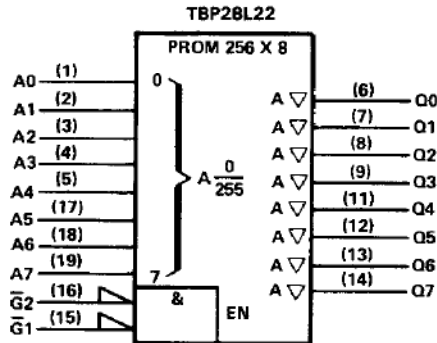
<sup>‡</sup>Not more than one output should be shorted at a time, and duration of the short circuit should not exceed one second.

NOTE 3: Load circuits and voltage waveforms are shown in Section 1.

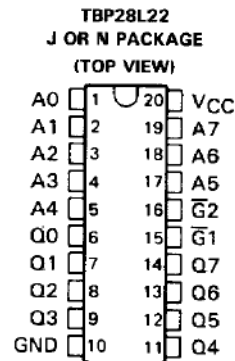


**TBP28L22**  
**2048 BITS (256 WORDS BY 8 BITS)**  
**LOW-POWER PROGRAMMABLE READ-ONLY MEMORIES WITH 3-STATE OUTPUTS**

**logic symbol**



**pin assignment**



**recommended operating conditions**

PARAMETER	MJ			J OR N			UNIT
	MIN	NOM	MAX	MIN	NOM	MAX	
V <sub>CC</sub> Supply voltage	4.5	5	5.5	4.75	5	5.25	V
V <sub>IH</sub> High-level input voltage	2			2			V
V <sub>IL</sub> Low-level input voltage	0.8			0.8			V
I <sub>OH</sub> High-level output current	-2			-6.5			mA
I <sub>OL</sub> Low-level output current	16			16			mA
T <sub>A</sub> Operating free-air temperature range	-55 125			0 70			°C

**electrical characteristics over recommended operating free-air temperature range (unless otherwise noted)**

PARAMETER	TEST CONDITIONS <sup>†</sup>	MJ			J OR N			UNIT
		MIN	TYP <sup>‡</sup>	MAX	MIN	TYP <sup>‡</sup>	MAX	
V <sub>IK</sub>	V <sub>CC</sub> = MIN, I <sub>I</sub> = -18 mA	-1.2			-1.2			V
V <sub>OH</sub>	V <sub>CC</sub> = MIN, I <sub>OH</sub> = MAX	2.4	3.1		2.4	3.1	V	
V <sub>OL</sub>	V <sub>CC</sub> = MIN, I <sub>OL</sub> = 16 mA	0.5			0.5			V
I <sub>OZH</sub>	V <sub>CC</sub> = MAX, V <sub>O</sub> = 2.4 V	50			50			μA
I <sub>OZL</sub>	V <sub>CC</sub> = MAX, V <sub>O</sub> = 0.5 V	-50			-50			μA
I <sub>I</sub>	V <sub>CC</sub> = MAX, V <sub>I</sub> = 5.5 V	1			1			mA
I <sub>IH</sub>	V <sub>CC</sub> = MAX, V <sub>I</sub> = 2.7 V	25			25			μA
I <sub>IL</sub>	V <sub>CC</sub> = MAX, V <sub>I</sub> = 0.5 V	-0.25			-0.25			mA
I <sub>OS</sub> <sup>§</sup>	V <sub>CC</sub> = MAX	-25		-100	-30		-100	mA
I <sub>CC</sub>	V <sub>CC</sub> = MAX	75 100			75 100			mA

**switching characteristics over recommended ranges of T<sub>A</sub> and V<sub>CC</sub> (unless otherwise noted)**

PARAMETER	TEST CONDITIONS	MJ			J OR N			UNIT
		MIN	TYP <sup>‡</sup>	MAX	MIN	TYP <sup>‡</sup>	MAX	
t <sub>aA</sub>	Access time from address	C <sub>L</sub> = 30 pF		45	75	45	70	ns
t <sub>a(S)</sub>	Access time from chip select (enable time)	See Note 3		20	40	20	35	ns
t <sub>dis</sub>	Disable time	C <sub>L</sub> = 5 pF		15	35	15	30	ns
		See Note 3						

<sup>†</sup>For conditions shown as MIN or MAX, use appropriate value specified under recommended operating conditions.

<sup>‡</sup>All typical values are at V<sub>CC</sub> = 5 V, T<sub>A</sub> = 25°C.

<sup>§</sup>Not more than one output should be shorted at a time, and duration of the short circuit should not exceed one second.

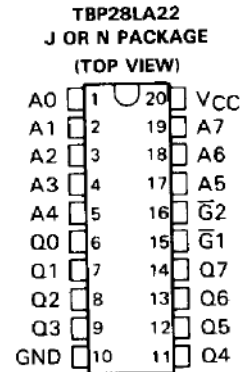
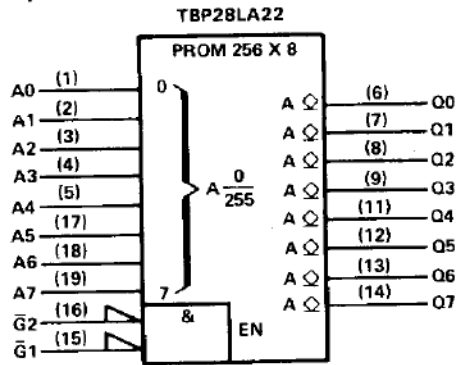
NOTE 3: Load circuits and voltage waveforms are shown in Section 1.

**4**  
**PROMS**

**TBP28LA22**  
**2048 BITS (256 WORDS BY 8 BITS)**  
**LOW-POWER PROGRAMMABLE READ-ONLY MEMORIES WITH OPEN-COLLECTOR OUTPUTS**

logic symbol

pin assignment



recommended operating conditions

PARAMETER	MJ			J OR N			UNIT
	MIN	NOM	MAX	MIN	NOM	MAX	
V <sub>CC</sub> Supply voltage	4.5	5	5.5	4.75	5	5.25	V
V <sub>IH</sub> High-level input voltage	2			2			V
V <sub>IL</sub> Low-level input voltage				0.8			V
V <sub>OH</sub> High-level output voltage				5.5			V
I <sub>OL</sub> Low-level output current				16			mA
T <sub>A</sub> Operating free-air temperature range	-55			125			°C

4

PROMS

electrical characteristics over recommended operating free-air temperature range (unless otherwise noted)

PARAMETER	TEST CONDITIONS†	MJ		J OR N		UNIT
		MIN	TYP‡	MAX	MIN	
V <sub>IK</sub>	V <sub>CC</sub> = MIN, I <sub>I</sub> = -18 mA			-1.2		V
I <sub>OH</sub>	V <sub>CC</sub> = MIN, V <sub>OH</sub> = 2.4 V			0.05		mA
				0.1		
V <sub>OL</sub>	V <sub>CC</sub> = MIN, I <sub>OL</sub> = 16 mA			0.5		V
I <sub>I</sub>	V <sub>CC</sub> = MAX, V <sub>I</sub> = 5.5 V			1		mA
I <sub>IH</sub>	V <sub>CC</sub> = MAX, V <sub>I</sub> = 2.7 V			25		μA
I <sub>IL</sub>	V <sub>CC</sub> = MAX, V <sub>I</sub> = 0.5 V			-0.25		mA
I <sub>CC</sub>	V <sub>CC</sub> = MAX	75	100	75	100	mA

switching characteristics over recommended ranges of T<sub>A</sub> and V<sub>CC</sub> (unless otherwise noted)

PARAMETER	TEST CONDITIONS	MJ		J OR N		UNIT
		MIN	TYP‡	MAX	MIN	
t <sub>aA</sub> Access time from address	C <sub>L</sub> = 30 pF	40	80	45	75	ns
t <sub>a(S)</sub> Access time from chip select (enable time)	R <sub>L1</sub> = 300 Ω	20	40	20	35	ns
t <sub>PLH</sub> Propagation delay time low-to-high-level output from chip select	R <sub>L2</sub> = 600 Ω See Note 3	15	35	15	30	ns

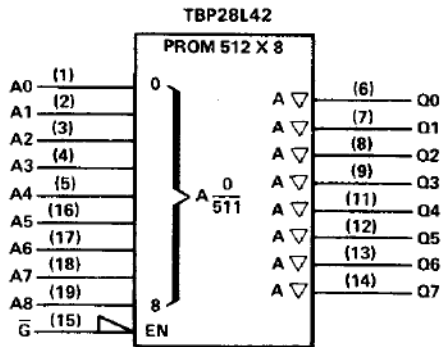
†For conditions shown as MIN or MAX, use appropriate value specified under recommended operating conditions.

‡All typical values are at V<sub>CC</sub> = 5 V, T<sub>A</sub> = 25°C.

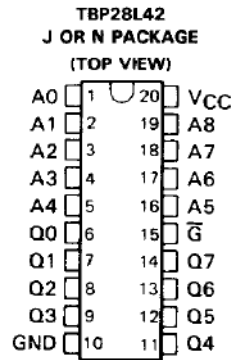
NOTE 3: Load circuits and voltage waveforms are shown in Section 1.

**TBP28L42**  
**4096 BITS (512 WORDS BY 8 BITS)**  
**LOW-POWER PROGRAMMABLE READ-ONLY MEMORIES WITH 3-STATE OUTPUTS**

logic symbol



pin assignment



recommended operating conditions

PARAMETER	PARAMETER	MJ			J OR N			UNIT
		MIN	NOM	MAX	MIN	NOM	MAX	
V <sub>CC</sub>	Supply voltage	4.5	5	5.5	4.75	5	5.25	V
V <sub>IH</sub>	High-level input voltage	2			2			V
V <sub>IL</sub>	Low-level input voltage			0.8			0.8	V
I <sub>OH</sub>	High-level output current			-1			-1.6	mA
I <sub>OL</sub>	Low-level output current			8			8	mA
T <sub>A</sub>	Operating free-air temperature range	-55		125	0		70	°C

electrical characteristics over recommended operating free-air temperature range (unless otherwise noted)

PARAMETER	TEST CONDITIONS <sup>†</sup>	MJ			J OR N			UNIT
		MIN	TYP <sup>‡</sup>	MAX	MIN	TYP <sup>‡</sup>	MAX	
V <sub>IK</sub>	V <sub>CC</sub> = MIN, I <sub>I</sub> = -18 mA			-1.2			-1.2	V
V <sub>OH</sub>	V <sub>CC</sub> = MIN, I <sub>OH</sub> = MAX	2.4	3.1		2.4	3.1		V
V <sub>OL</sub>	V <sub>CC</sub> = MIN, I <sub>OL</sub> = 8 mA			0.5			0.5	V
I <sub>OZH</sub>	V <sub>CC</sub> = MAX, V <sub>O</sub> = 2.4 V			50			50	μA
I <sub>OZL</sub>	V <sub>CC</sub> = MAX, V <sub>O</sub> = 0.5 V			-50			-50	μA
I <sub>I</sub>	V <sub>CC</sub> = MAX, V <sub>I</sub> = 5.5 V			1			1	mA
I <sub>IH</sub>	V <sub>CC</sub> = MAX, V <sub>I</sub> = 2.7 V			25			25	μA
I <sub>IL</sub>	V <sub>CC</sub> = MAX, V <sub>I</sub> = 0.5 V			-0.25			-0.25	mA
I <sub>OS</sub> <sup>§</sup>	V <sub>CC</sub> = MAX	-10		-100	-10		-100	mA
I <sub>CC</sub>	V <sub>CC</sub> = MAX			50 85			50 85	mA

switching characteristics over recommended ranges of T<sub>A</sub> and V<sub>CC</sub> (unless otherwise noted)

PARAMETER	TEST CONDITIONS	MJ			J OR N			UNIT
		MIN	TYP <sup>‡</sup>	MAX	MIN	TYP <sup>‡</sup>	MAX	
t <sub>a(A)</sub>	Access time from address			55 110			55 95	ns
t <sub>a(S)</sub>	Access time from chip select (enable time)			25 60			25 60	ns
t <sub>dis</sub>	Disable time			25 50			25 40	ns

<sup>†</sup>For conditions shown as MIN or MAX, use appropriate value specified under recommended operating conditions.

<sup>‡</sup>All typical values are at V<sub>CC</sub> = 5 V, T<sub>A</sub> = 25 °C.

<sup>§</sup>Not more than one output should be shorted at a time, and duration of the short circuit should not exceed one second.

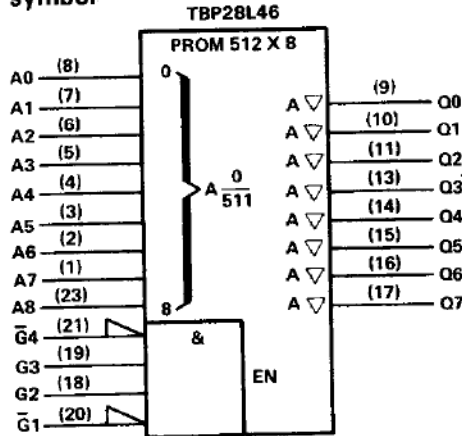
NOTE 3: Load circuits and voltage waveforms are shown in Section 1.

4

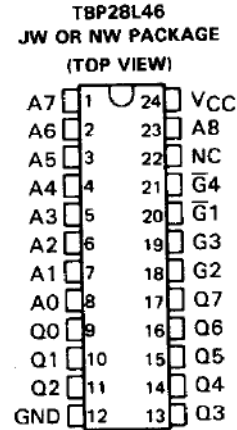
PROMS

**TBP28L46**  
**4096 BITS (512 WORDS BY 8 BITS)**  
**LOW-POWER PROGRAMMABLE READ-ONLY MEMORIES WITH 3-STATE OUTPUTS**

logic symbol



pin assignment



recommended operating conditions

PARAMETER	MJW			JW OR NW			UNIT
	MIN	NOM	MAX	MIN	NOM	MAX	
V <sub>CC</sub> Supply voltage	4.5	5	5.5	4.75	5	5.25	V
V <sub>IH</sub> High-level input voltage	2			2			V
V <sub>IL</sub> Low-level input voltage	0.8			0.8			V
I <sub>OH</sub> High-level output current	-1			-1.6			mA
I <sub>OL</sub> Low-level output current	8			8			mA
T <sub>A</sub> Operating free-air temperature range	-55			125			0 70 °C

electrical characteristics over recommended operating free-air temperature range (unless otherwise noted)

PARAMETER	TEST CONDITIONS <sup>†</sup>	MJW		JW OR NW		UNIT
		MIN	TYP <sup>‡</sup>	MAX	MIN	
V <sub>IK</sub>	V <sub>CC</sub> = MIN, I <sub>I</sub> = -18 mA			-1.2		V
V <sub>OH</sub>	V <sub>CC</sub> = MIN, I <sub>OH</sub> = MAX	2.4	3.1			V
V <sub>OL</sub>	V <sub>CC</sub> = MIN, I <sub>OL</sub> = 8 mA			0.5		V
I <sub>OZH</sub>	V <sub>CC</sub> = MAX, V <sub>O</sub> = 2.4 V			50		μA
I <sub>OZL</sub>	V <sub>CC</sub> = MAX, V <sub>O</sub> = 0.5 V			-50		μA
I <sub>I</sub>	V <sub>CC</sub> = MAX, V <sub>I</sub> = 5.5 V			1		mA
I <sub>IH</sub>	V <sub>CC</sub> = MAX, V <sub>I</sub> = 2.7 V			25		μA
I <sub>IL</sub>	V <sub>CC</sub> = MAX, V <sub>I</sub> = 0.5 V			-0.25		mA
I <sub>OS</sub> <sup>§</sup>	V <sub>CC</sub> = MAX	-10		-100		mA
I <sub>CC</sub>	V <sub>CC</sub> = MAX	50 85		50 85		mA

switching characteristics over recommended ranges of T<sub>A</sub> and V<sub>CC</sub> (unless otherwise noted)

PARAMETER	TEST CONDITIONS	MJW			JW OR NW			UNIT
		MIN	TYP <sup>‡</sup>	MAX	MIN	TYP <sup>‡</sup>	MAX	
t <sub>a(A)</sub> Access time from address	C <sub>L</sub> = 30 pF	55		110	55		95	ns
t <sub>a(S)</sub> Access time from chip select (enable time)	See Note 3	25		60	25		60	ns
t <sub>dis</sub> Disable time	C <sub>L</sub> = 5 pF See Note 3	25		50	25		40	ns

<sup>†</sup>For conditions shown as MIN or MAX, use appropriate value specified under recommended operating conditions.

<sup>‡</sup>All typical values are at V<sub>CC</sub> = 5 V, T<sub>A</sub> = 25 °C.

<sup>§</sup>Not more than one output should be shorted at a time, and duration of the short circuit should not exceed one second.

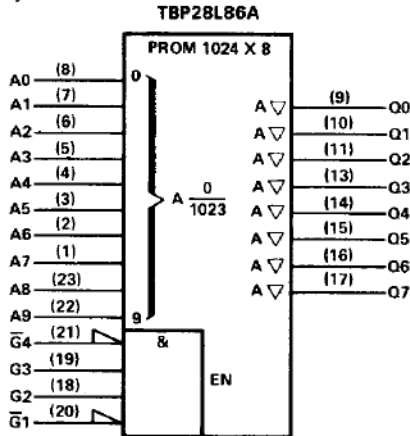
NOTE 3: Load circuits and voltage waveforms are shown in Section 1.

4

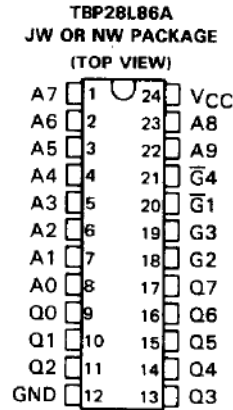
PROMS

**TBP28L86A**  
**8192 BITS (1024 WORDS BY 8 BITS)**  
**LOW-POWER PROGRAMMABLE READ-ONLY MEMORIES WITH 3-STATE OUTPUTS**

**logic symbol**



**pin assignment**



**recommended operating conditions**

PARAMETER	MJW			JW OR NW			UNIT
	MIN	NOM	MAX	MIN	NOM	MAX	
V <sub>CC</sub> Supply voltage	4.5	5	5.5	4.75	5	5.25	V
V <sub>IH</sub> High-level input voltage	2			2			V
V <sub>IL</sub> Low-level input voltage			0.8			0.8	V
I <sub>OH</sub> High-level output current			-1			-1.6	mA
I <sub>OL</sub> Low-level output current			8			8	mA
T <sub>A</sub> Operating free-air temperature range	-55		125	0		70	°C

**electrical characteristics over recommended operating free-air temperature range (unless otherwise noted)**

PARAMETER	TEST CONDITIONS <sup>†</sup>	MJW			JW OR NW			UNIT
		MIN	TYP <sup>‡</sup>	MAX	MIN	TYP <sup>‡</sup>	MAX	
V <sub>IK</sub>	V <sub>CC</sub> = MIN, I <sub>I</sub> = -18 mA			-1.2			-1.2	V
V <sub>OH</sub>	V <sub>CC</sub> = MIN, I <sub>OH</sub> = MAX	2.4	3.1		2.4	3.1		V
V <sub>OL</sub>	V <sub>CC</sub> = MIN, I <sub>OL</sub> = 8 mA			0.5			0.5	V
I <sub>OZH</sub>	V <sub>CC</sub> = MAX, V <sub>O</sub> = 2.4 V			50			50	μA
I <sub>OZL</sub>	V <sub>CC</sub> = MAX, V <sub>O</sub> = 0.5 V			-50			-50	μA
I <sub>I</sub>	V <sub>CC</sub> = MAX, V <sub>I</sub> = 5.5 V			1			1	mA
I <sub>IH</sub>	V <sub>CC</sub> = MAX, V <sub>I</sub> = 2.7 V			25			25	μA
I <sub>IL</sub>	V <sub>CC</sub> = MAX, V <sub>I</sub> = 0.5 V			-0.25			-0.25	mA
I <sub>OS</sub> <sup>§</sup>	V <sub>CC</sub> = MAX	-10		-100	-10		-100	mA
I <sub>CC</sub>	V <sub>CC</sub> = MAX		55	95		55	80	mA

**switching characteristics over recommended ranges of T<sub>A</sub> and V<sub>CC</sub> (unless otherwise noted)**

PARAMETER	TEST CONDITIONS	MJW			JW OR NW			UNIT
		MIN	TYP <sup>‡</sup>	MAX	MIN	TYP <sup>‡</sup>	MAX	
t <sub>a(A)</sub> Access time from address	C <sub>L</sub> = 30 pF		65	200		65	110	ns
t <sub>a(S)</sub> Access time from chip select (enable time)	See Note 3		40	125		40	80	ns
t <sub>dis</sub> Disable time	C <sub>L</sub> = 5 pF See Note 3		25	100		25	60	ns

<sup>†</sup>For conditions shown as MIN or MAX, use appropriate value specified under recommended operating conditions.

<sup>‡</sup>All typical values are at V<sub>CC</sub> = 5 V, T<sub>A</sub> = 25°C.

<sup>§</sup>Not more than one output should be shorted at a time, and duration of the short circuit should not exceed one second.

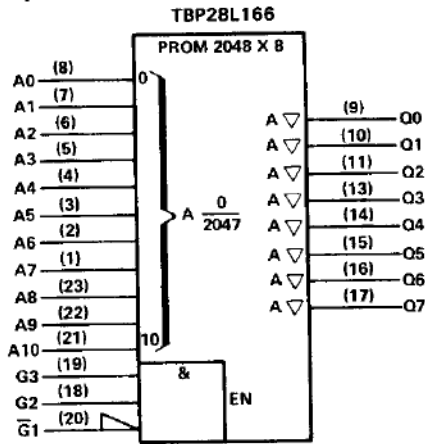
NOTE 3: Load circuits and voltage waveforms are shown in Section 1.

4

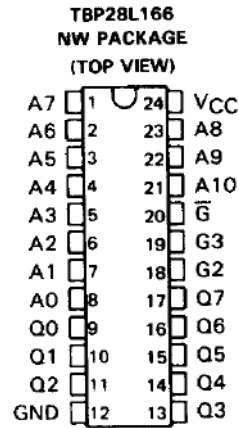
PROMS

**TRP28L166**  
**16,384 BITS (2048 WORDS BY 8 BITS)**  
**LOW-POWER PROGRAMMABLE READ-ONLY MEMORIES WITH 3-STATE OUTPUTS**

logic symbol



pin assignment



recommended operating conditions

PARAMETER	NW			UNIT
	MIN	NOM	MAX	
VCC Supply voltage	4.75	5	5.25	V
V <sub>IH</sub> High-level input voltage	2			V
V <sub>IL</sub> Low-level input voltage			0.8	V
I <sub>OH</sub> High-level output current			-1.6	mA
I <sub>OL</sub> Low-level output current			8	mA
T <sub>A</sub> Operating free-air temperature range	0		70	°C

4

PROMS

electrical characteristics over recommended operating free-air temperature range (unless otherwise noted)

PARAMETER	TEST CONDITIONS	NW		UNIT
		MIN	TYP <sup>†</sup> MAX	
V <sub>IK</sub>	V <sub>CC</sub> = 4.75, I <sub>I</sub> = -18 mA		-1.2	V
V <sub>OH</sub>	V <sub>CC</sub> = 4.75, I <sub>OH</sub> = -1.6 mA	2.4	3.1	V
V <sub>OL</sub>	V <sub>CC</sub> = 4.75, I <sub>OL</sub> = 8 mA		0.5	V
I <sub>OZH</sub>	V <sub>CC</sub> = 5.25, V <sub>O</sub> = 2.4 V		50	μA
I <sub>OZL</sub>	V <sub>CC</sub> = 5.25, V <sub>O</sub> = 0.5 V		-50	μA
I <sub>I</sub>	V <sub>CC</sub> = 5.25, V <sub>I</sub> = 5.5 V		1	mA
I <sub>IH</sub>	V <sub>CC</sub> = 5.25, V <sub>I</sub> = 2.7 V		25	μA
I <sub>IL</sub>	V <sub>CC</sub> = 5.25, V <sub>I</sub> = 0.5 V		-0.25	mA
I <sub>OS</sub> <sup>‡</sup>	V <sub>CC</sub> = 5.25	-10	-100	mA
I <sub>CC</sub>	V <sub>CC</sub> = 5.25		75 110	mA

switching characteristics over recommended ranges of T<sub>A</sub> and V<sub>CC</sub> (unless otherwise noted)

PARAMETER	TEST CONDITIONS	NW		UNIT
		MIN	TYP <sup>†</sup> MAX	
t <sub>a(A)</sub> Access time from address	C <sub>L</sub> = 30 pF		80 125	ns
t <sub>a(S)</sub> Access time from chip select (enable time)	See Note 3		40 65	ns
t <sub>dis</sub> Disable time	C <sub>L</sub> = 5 pF See Note 3		30 65	ns

<sup>†</sup>All typical values are at V<sub>CC</sub> = 5 V, T<sub>A</sub> = 25 °C.

<sup>‡</sup>Not more than one output should be shorted at a time, and duration of the short circuit should not exceed one second.

NOTE 3: Load circuits and voltage waveforms are shown in Section 1.

## SERIES 24 AND 28 PROGRAMMABLE READ-ONLY MEMORIES

recommended operating conditions for programming (see Figure 1)

		MIN	NOM	MAX	UNIT
Steady-state supply voltage	V <sub>CC</sub>	4.75	5	5.25	V
Input voltage	V <sub>IH</sub>	3	4	5	V
	V <sub>IL</sub>	0	0	0.5	
Voltage at all outputs except the one to be programmed		0	0	0.5	V
Supply voltage level to program a bit	V <sub>CC(pr)</sub>	5.75	6	6.25	V
Select or enable level to program a bit	V <sub>S(pr)</sub>	9.75	10	11	V
Output level during interval t <sub>5</sub>	V <sub>O(pr)</sub>	15.75	16	16.25	V
Supply voltage during verification (see step 14)	Low	4.4	4.5	4.6	V
	High	5.4	5.5	5.6	
Time from V <sub>CC</sub> to settle and to verify need to program	t <sub>1</sub>	0	5	10	μs
Time from V <sub>CC</sub> = 6 V until chip select (enable) is at 10 V	t <sub>2</sub>	5	5	10	μs
Time from chip select (enable) high to start of program ramp	t <sub>3</sub>	0.1	5	10	μs
Ramp time, output program pulse	t <sub>4</sub>	10	15	20	μs
Duration of output program pulse	t <sub>5</sub>	15	20	20	μs
Time from end of program pulse to chip select (enable) low	t <sub>6</sub>	5	5	10	μs
Time from chip select (enable) V <sub>CC</sub> = 0 V	t <sub>7</sub>	0.1	5	5	μs
Time for cooling between bits	t <sub>8</sub>	30	50	100	μs
Time for cooling between words	t <sub>9</sub>	30	50		μs
Free-air temperature	T <sub>A</sub>	20	25	30	°C

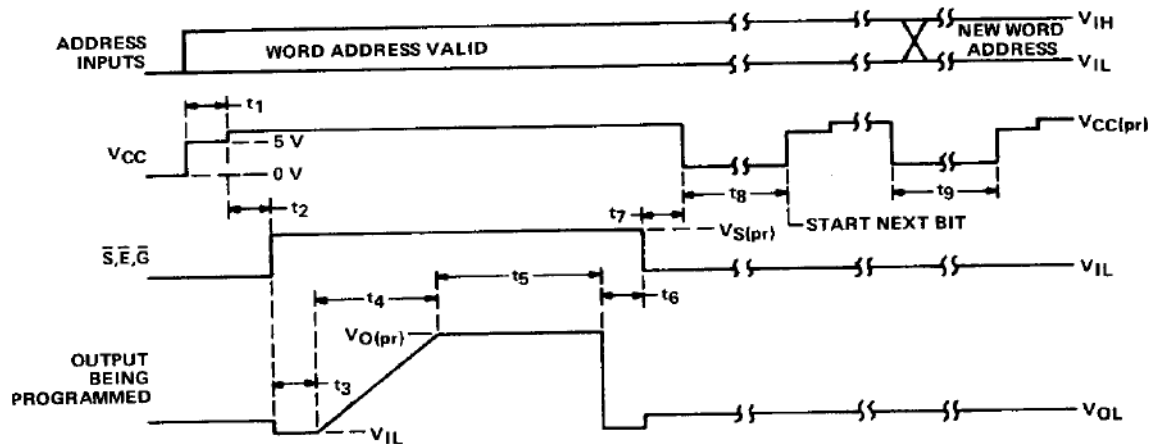
### step-by-step programming instruction (see Figure 1)

1. Address the word to be programmed, apply 5 volts to V<sub>CC</sub> and active levels to all chip select ( $\bar{S}$  and  $\bar{S}$ ) or chip enable (E and  $\bar{E}$ ) inputs.
2. Verify the status of a bit location by checking the output level.
3. Decrease V<sub>CC</sub> to 0 volts.
4. For bit locations that do not require programming, skip steps 5 through 11.
5. Increase V<sub>CC</sub> to V<sub>CC(pr)</sub> with a minimum current capability of 250 milliamperes.
6. Apply V<sub>S(pr)</sub> to all the  $\bar{S}$ ,  $\bar{E}$  or  $\bar{G}$  inputs. I<sub>t</sub> ≤ 25 milliamperes. Active-high enables may be left high.
7. Connect all outputs, except the one to be programmed, to V<sub>IL</sub>. Only one bit is to be programmed at a time.
8. Apply the output programming pulse for 20 microseconds. Minimum current capability of the programming supply should be 250 milliamperes.
9. After terminating the output pulse, disconnect all outputs from V<sub>IL</sub> conditions.
10. Reduce the voltage at  $\bar{S}$ ,  $\bar{E}$ , or  $\bar{G}$  inputs to V<sub>IL</sub>.
11. Decrease V<sub>CC</sub> to 0 volts.
12. Return to step 4 until all outputs in the word have been programmed.
13. Repeat steps 2 through 11 for each word in memory.
14. Verify programming of every word after all words have been programmed using V<sub>CC</sub> values of 4.5 and 5.5 volts.

4

PROMs

**SERIES 24 AND 28  
PROGRAMMABLE READ-ONLY MEMORIES**



NOTE 4: Rise and fall times should be  $\leq 1 \mu s$ .

**FIGURE 1. TIMING DIAGRAM AND VOLTAGE WAVEFORMS FOR PROGRAMMING SEQUENCE**

**4**

**PROMS**