

**GENERAL DESCRIPTION**

The SPX1117 is a low power positive-voltage regulator designed to satisfy moderate power requirements with a cost effective, small footprint solution.

This device is an excellent choice for use in battery-powered applications and portable computers. The SPX1117 features very low quiescent current and a low dropout voltage of 1.1V at a full load. As output current decreases, quiescent current flows into the load, increasing efficiency. SPX1117 is available in adjustable or fixed 1.5V, 1.8V, 2.5V, 3.3V and 5V output voltages.

The SPX1117 is offered in 3-pin SOT-223 and TO-263 surface mount packages.

An output capacitor of 10 $\mu$ F provides unconditional stability while a smaller 2.2 $\mu$ F capacitor is sufficient for most applications.

**APPLICATIONS**

- Desktop PC Servers
- Graphic/Video Cards
- Industrial Equipments
- Power Supplies

**FEATURES**

- Guaranteed 800mA Output Current
- Guaranteed 1A Peak Current
- Three Terminal Adjustable or Fixed 1.5V, 1.8V, 2.5V, 3.3V and 5V
- Low Quiescent Current
- Low Dropout Voltage of 1.1V at 800mA
- 0.1% Line and 0.2% Load Regulation
- Stable with 2.2 $\mu$ F Ceramic Capacitor
- Overcurrent and Thermal Protection
- Lead Free, RoHS Compliant Packages SOT223 and TO263

**FUNCTIONAL DIAGRAM**

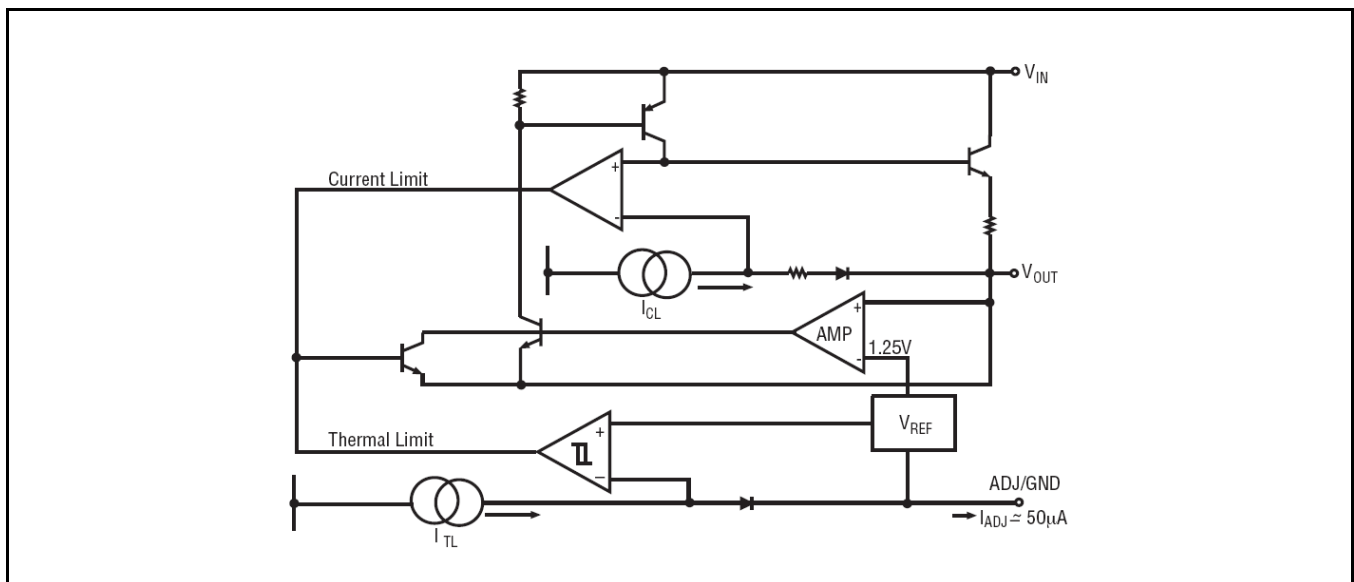


Fig. 1: SPX1117 Application Diagram



**ABSOLUTE MAXIMUM RATINGS**

These are stress ratings only and functional operation of the device at these ratings or any other above those indicated in the operation sections of the specifications below is not implied. Exposure to absolute maximum rating conditions for extended periods of time may affect reliability.

Power Dissipation ..... Internally Limited  
 Lead Temperature (Soldering, 5 sec) ..... 260°C  
 Storage Temperature ..... -65°C to 150°C  
 Operating Junction Temperature Range.... -40°C to +125°C  
 Input Supply Voltage ..... 20V  
 Input to Output Voltage ..... 18.8V  
 ESD Rating (HBM - Human Body Model) ..... 2kV

**ELECTRICAL SPECIFICATIONS**

Specifications with standard type are for an Operating Ambient Temperature of  $T_A = 25^\circ\text{C}$  only; limits applying over the full Operating Junction Temperature range are denoted by a “\*”. Minimum and Maximum limits are guaranteed through test, design, or statistical correlation. Typical values represent the most likely parametric norm at  $T_J = 25^\circ\text{C}$ , and are provided for reference purposes only. Unless otherwise indicated,  $C_{IN} = C_{OUT} = 10\mu\text{F}$ ,  $T_A = 25^\circ\text{C}$ .

Parameter	Min.	Typ.	Max.	Units	Conditions
<b>1.5V Version</b>					
Output Voltage	1.485	1.500	1.515	V	$I_{OUT}=5\text{mA}$ , $V_{IN}=3.0\text{V}$ , $T_J=25^\circ\text{C}$
	1.470		1.530		• $5\text{mA} \leq I_{OUT} \leq 800\text{mA}$ , $2.9\text{V} \leq V_{IN} \leq 10\text{V}$
<b>1.8V Version</b>					
Output Voltage	1.782	1.800	1.818	V	$I_{OUT}=5\text{mA}$ , $V_{IN}=3.3\text{V}$ , $T_J=25^\circ\text{C}$
	1.764		1.836		• $5\text{mA} \leq I_{OUT} \leq 800\text{mA}$ , $3.2\text{V} \leq V_{IN} \leq 10\text{V}$
<b>2.5V Version</b>					
Output Voltage	2.475	2.500	2.525	V	$I_{OUT}=5\text{mA}$ , $V_{IN}=4.0\text{V}$ , $T_J=25^\circ\text{C}$
	2.450		2.550		• $5\text{mA} \leq I_{OUT} \leq 800\text{mA}$ , $3.9\text{V} \leq V_{IN} \leq 10\text{V}$
<b>3.3V Version</b>					
Output Voltage	3.267	3.300	3.333	V	$I_{OUT}=5\text{mA}$ , $V_{IN}=4.8\text{V}$ , $T_J=25^\circ\text{C}$
	3.234		3.366		•
<b>5.0V Version</b>					
Output Voltage	4.950	5.000	5.050	V	$I_{OUT}=5\text{mA}$ , $V_{IN}=6.5\text{V}$ , $T_J=25^\circ\text{C}$
	4.900		5.100		• $5\text{mA} \leq I_{OUT} \leq 800\text{mA}$ , $6.4\text{V} \leq V_{IN} \leq 12\text{V}$
<b>All Voltage Options</b>					
Reference Voltage	1.238	1.250	1.262	V	$I_{OUT}=5\text{mA}$ , $(V_{IN} - V_{OUT})=2\text{V}$ , $T_J=25^\circ\text{C}$
	1.225		1.270		• $5\text{mA} \leq I_{OUT} \leq 800\text{mA}$ , $1.4\text{V} \leq (V_{IN}-V_{OUT}) \leq 10\text{V}$
Output Voltage Temperature Stability		0.3		%	
Line Regulation (note 1)		3	7	mV	$V_{INMIN} \leq V_{IN} \leq 12\text{V}$ , $V_{OUT} = \text{Fixed/Adj.}$ , $I_{OUT}=5\text{mA}$
Load Regulation (note 1)		6	12	mV	• $5\text{mA} \leq I_{OUT} \leq 800\text{mA}$ , $V_{OUT} = \text{Fixed/Adj.}$
Dropout Voltage (note 2)		1.00	1.20	V	• $I_{OUT}=100\text{mA}$
		1.05	1.25		• $I_{OUT}=500\text{mA}$
		1.10	1.30		• $I_{OUT}=800\text{mA}$
Quiescent Current		5	10	mA	• $4.25\text{V} \leq V_{IN} \leq 6.5\text{V}$
Adjust Pin Current		50	120	$\mu\text{A}$	•
Current Limit	1.0	1.5	2.0	A	$(V_{IN} - V_{OUT})=5\text{V}$
Thermal Regulation		0.01	0.1	%/W	$25^\circ\text{C}$ , 30ms pulse
Ripple Rejection	60	75		dB	$f_{RIPPLE}=120\text{Hz}$ , $(V_{IN} - V_{OUT})=2\text{V}$ , $V_{RIPPLE}=1V_{PP}$

Parameter	Min.	Typ.	Max.	Units	Conditions
Long Term Stability		0.03		%	125°C, 1000Hrs
RMS Output Noise		0.003		%	% of $V_{OUT}$ , $10\text{Hz} \leq f \leq 10\text{kHz}$

Note 1:

For fixed voltage option  $V_{INMIN} = V_{OUT} + 1.5V$

For adjustable voltage option  $V_{IN} - V_{OUT} = 1.4V$

Note 2: Dropout voltage is the input voltage minus output voltage that produces a 1% decrease in output voltage with respect to the nominal output voltage at  $V_{IN} = V_{OUT} + 1.5V$

**PIN ASSIGNMENT**

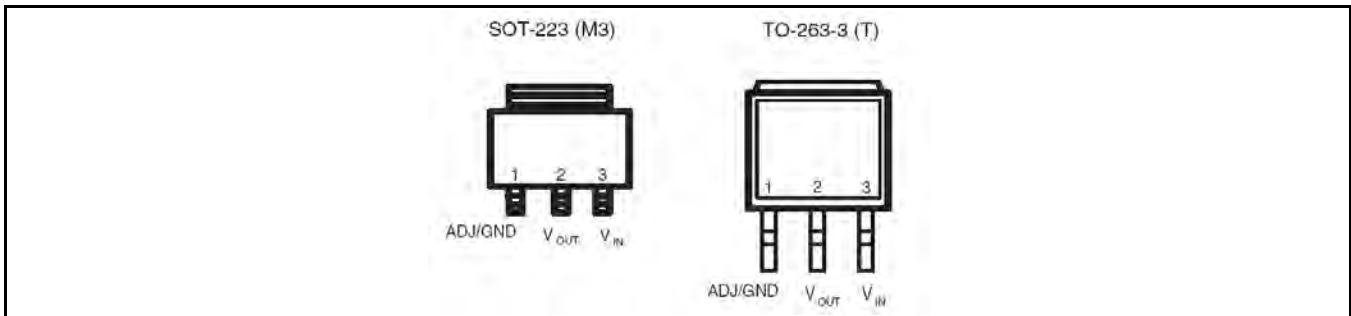


Fig. 2: SPX1117 Pin Assignment (Top View, TAB connected to  $V_{OUT}$ )

**ORDERING INFORMATION**

Part Number	Temperature Range	Marking	Package	Packing Quantity	Note 1	Note 2
SPX1117M3-L	-40°C ≤ T <sub>J</sub> ≤ +125°C	1117M3	SOT223-3	78/Tube	Lead Free	
SPX1117M3-L/TR		YYWWL		2.5K/Tape & Reel		
SPX1117M3-L-1-5	-40°C ≤ T <sub>J</sub> ≤ +125°C	1117M3	SOT223-3	78/Tube	Lead Free	
SPX1117M3-L-1-5/TR		15YYWWL		2.5K/Tape & Reel		
SPX1117M3-L-1-8	-40°C ≤ T <sub>J</sub> ≤ +125°C	1117M3	SOT223-3	78/Tube	Lead Free	
SPX1117M3-L-1-8/TR		18YYWWL		2.5K/Tape & Reel		
SPX1117M3-L-2-5	-40°C ≤ T <sub>J</sub> ≤ +125°C	1117M3	SOT223-3	78/Tube	Lead Free	
SPX1117M3-L-2-5/TR		25YYWWL		2.5K/Tape & Reel		
SPX1117M3-L-3-3	-40°C ≤ T <sub>J</sub> ≤ +125°C	1117M3	SOT223-3	78/Tube	Lead Free	
SPX1117M3-L-3-3/TR		33YYWWL		2.5K/Tape & Reel		
SPX1117M3-L-5-0	-40°C ≤ T <sub>J</sub> ≤ +125°C	1117M3	SOT223-3	78/Tube	Lead Free	
SPX1117M3-L-5-0/TR		50YYWWL		2.5K/Tape & Reel		
SPX1117T-L	-40°C ≤ T <sub>J</sub> ≤ +125°C	SPX1117T	TO-263-3	50/Tube	Lead Free	
SPX1117T-L/TR		YYWWLX		500/Tape & Reel		
SPX1117T-L-3-3	-40°C ≤ T <sub>J</sub> ≤ +125°C	SPX1117T	TO-263-3	50/Tube	Lead Free	
SPX1117T-L-3-3/TR		33YYWWLX		500/Tape & Reel		

“YY” = Year – “WW” = Work Week – “L” = Lead Free Indicator - “X” = Lot Number

**TYPICAL PERFORMANCE CHARACTERISTICS**

All data taken at  $T_A = 25^\circ\text{C}$ , unless otherwise specified - Schematic and BOM from Application Information section of this datasheet.

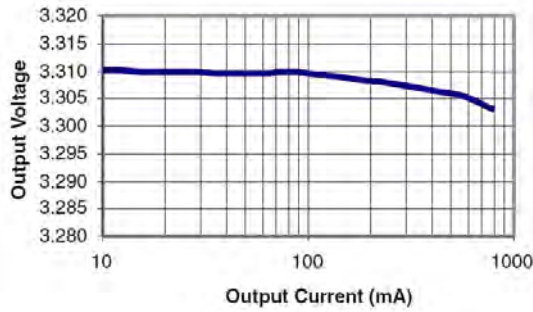


Fig. 3: Load Regulation  
SPX1117M3-L-3-3,  $V_{IN}=4.8\text{V}$

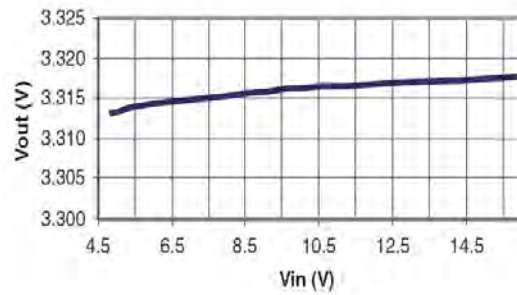


Fig. 4: Line Regulation  
SPX1117M3-L-3-3,  $I_{OUT}=10\text{mA}$

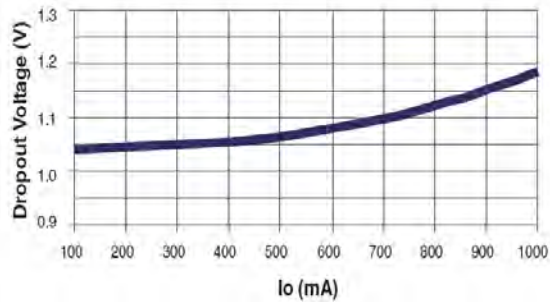


Fig. 5: Dropout Voltage vs Output Current  
SPX1117M3-L-3-3,  $V_{IN}=4.8\text{V}$ ,  $C_{OUT}=2.2\mu\text{F}$

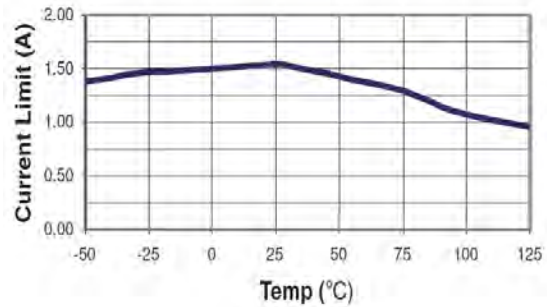


Fig. 6: Current Limit  
 $I_{OUT}$  pulsed from 10mA to Current limit  
SPX1117M3-L-3-3,  $V_{IN}=4.8\text{V}$ ,  $C_{IN}=C_{OUT}=2.2\mu\text{F}$

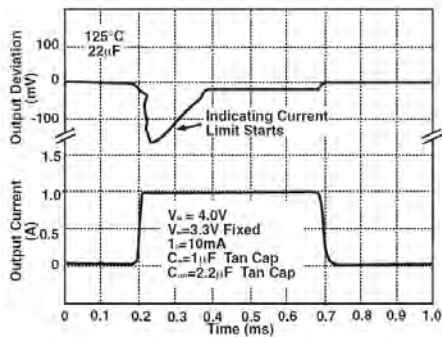


Fig. 7: Current Limit  
Output Voltage Deviation  
SPX1117M3-L-3-3,  $I_{OUT}=10\text{mA}$  to 1A Step

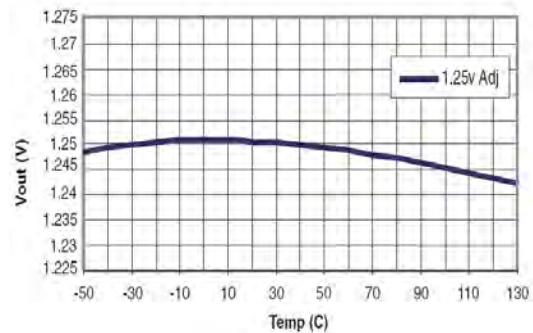


Fig. 8:  $V_{OUT}$  vs Temperature  
 $V_{IN}=2.5\text{V}$ ,  $I_{OUT}=10\text{mA}$

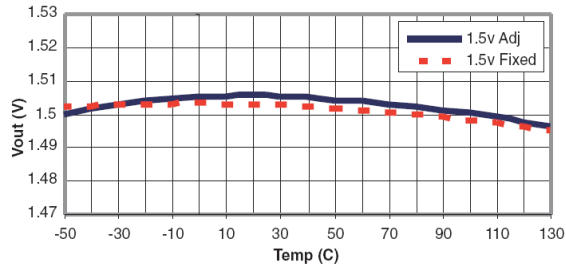


Fig. 9:  $V_{IN}=3.0V$ ,  $I_{OUT}=10mA$

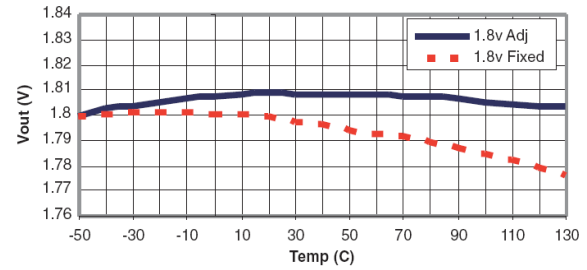


Fig. 10:  $V_{IN}=3.3V$ ,  $I_{OUT}=10mA$

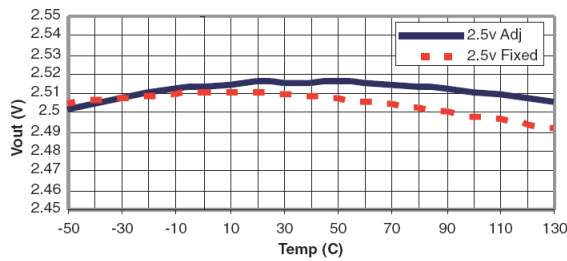


Fig. 11:  $V_{IN}=4.0V$ ,  $I_{OUT}=10mA$

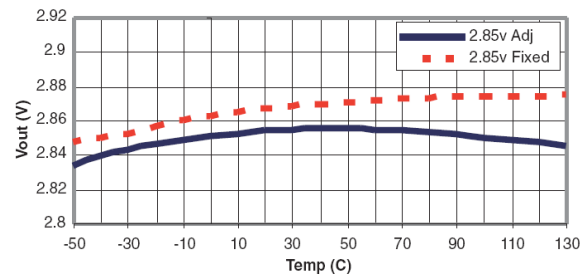


Fig. 12:  $V_{IN}=4.85V$ ,  $I_{OUT}=10mA$

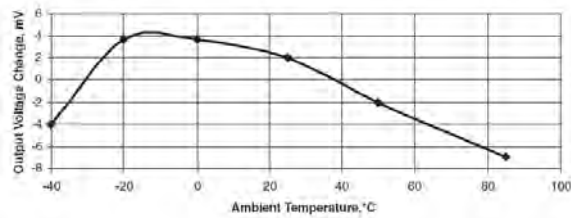


Fig. 13: Line Regulation vs Temperature  
 $V_{OUT}=1.8V$  (Adj),  $V_{IN}=3.3V$

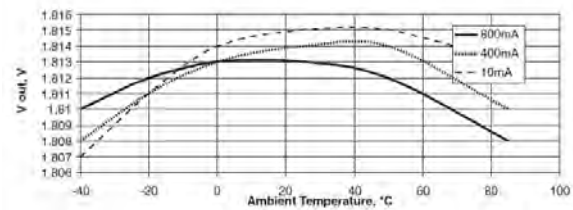


Fig. 14: Output Voltage vs Temperature  
Different  $I_{OUT}$ ,  $V_{OUT}=1.8V$  (Adj),  $V_{IN}=3.3V$

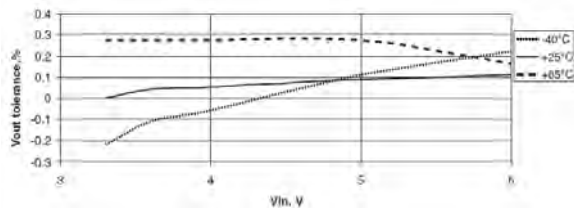


Fig. 15: Line Regulation over Temperature  
 $I_{LOAD}=800mA$ ,  $V_{OUT}=1.8V$ (adj)

**APPLICATION INFORMATION**

**OUTPUT CAPACITOR**

To ensure the stability of the SPX1117, an output capacitor of at least 2.2 $\mu$ F (tantalum or ceramic) or 10 $\mu$ F (aluminum) is required. The value may change based on the application requirements of the output load or temperature range. The value of ESR can vary based on the type of capacitor used in the applications to guarantee stability. The recommended value for ESR is 0.5 $\Omega$  or less. A larger value of output capacitance (up to 100 $\mu$ F) can improve the load transient response.

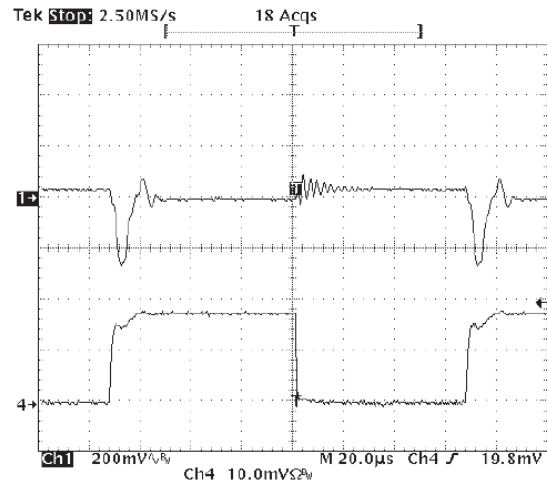


Fig. 18

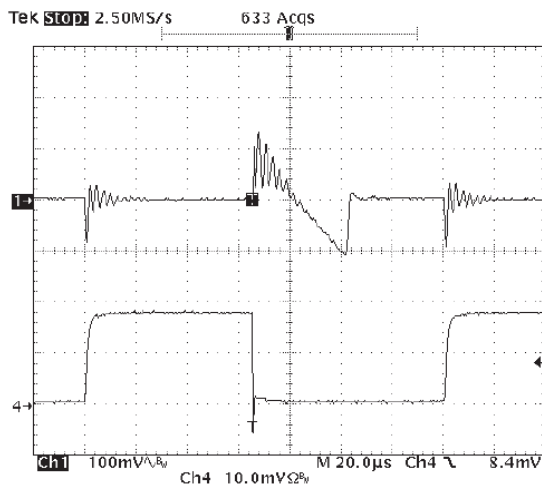


Fig. 16: Load Step Response 0mA to 800mA  
 $V_{IN}=3.3V$ ,  $V_{OUT}=1.8V$ ,  $C_{IN}=10\mu F$ ,  $C_{OUT}=2.2\mu F$ , Ceramic  
 Signal 1= $V_{OUT}$ , Signal 4= $I_{LOAD}$

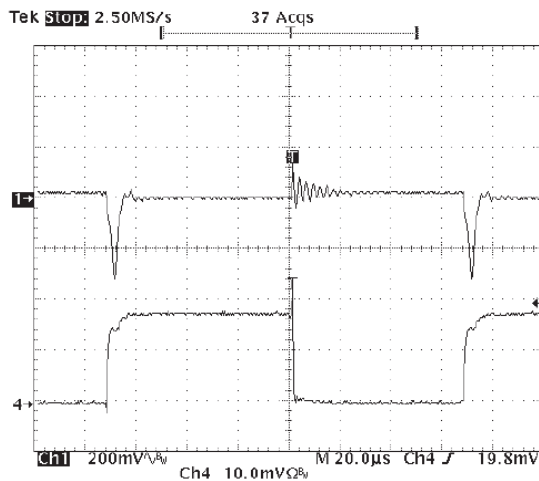


Fig. 17: Load Step Response 0mA to 800mA  
 $V_{IN}=3.3V$ ,  $V_{OUT}=1.8V$ ,  $C_{IN}=10\mu F$ ,  $C_{OUT}=2.2\mu F$ , OSCON  
 Signal 1= $V_{OUT}$ , Signal 4= $I_{LOAD}$

**SOLDERING METHODS**

The SPX1117 SOT-223 package is designed to be compatible with infrared reflow or vapor-phase reflow soldering techniques. During soldering, the non-active or mildly active fluxes may be used. The SPX1117 die is attached to the heatsink lead which exits opposite the input, output, and ground pins.

Hand soldering and wave soldering should be avoided since these methods can cause damage to the device with excessive thermal gradients on the package. The SOT-223 recommended soldering method are as follows: vapor phase reflow and infrared reflow with the component preheated to within 65°C of the soldering temperature range.

**THERMAL CHARACTERISTICS**

The thermal resistance of SPX1117 (SOT-223 package) is 15°C/W from junction to tab and 31°C/W from tab to ambient for a total of 46°C/W from junction to ambient (Table 1). The SPX1117 features the internal thermal limiting to protect the device during overload conditions. Special care needs to be taken during continuous load conditions such that the maximum junction temperature does not exceed 125°C. Thermal protection is activated at >155°C and deactivated at <140°C.

Taking the FR-4 printed circuit board and 1/16 thick with 1 ounce copper foil as an experiment (fig.19), the PCB material is effective at transmitting heat with the tab attached to the pad area and a ground plane



layer on the backside of the substrate. Refer to table 1 for the results of the experiment.

The thermal interaction from other components in the application can affect the thermal resistance of the SPX1117. The actual thermal resistance can be determined with experimentation.

SPX1117 power dissipation is calculated as follows:

$$P_D = (V_{IN} - V_{OUT}) \times I_{OUT}$$

Maximum Junction Temperature

$$T_J = T_{A(MAX)} + P_D \times \text{thermal resistance (Jct to amb.)}$$

Maximum junction temperature must not exceed 125°C.

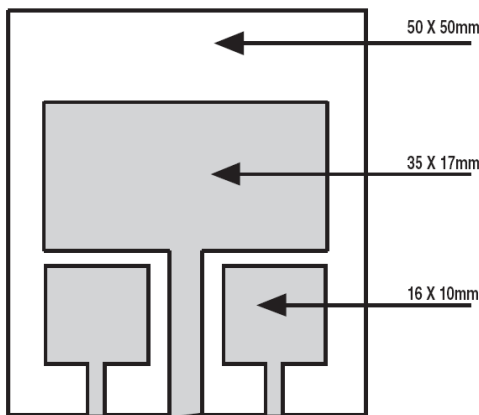


Fig. 19: Substrate Layout for SOT-223

### RIPPLE REJECTION

Ripple rejection can be improved by adding a capacitor between the ADJ pin and ground as shown in Figure 23. When ADJ pin bypassing is used, the value of the output capacitor required increases to its maximum. If the ADJ pin is not bypassed, the value of the output capacitor can be lowered to 10µF for an electrolytic aluminum capacitor or 2.2µF for a ceramic or solid tantalum capacitor (Fig 22).

However the value of the ADJ-bypass capacitor should be chosen with respect to the following equation:

$$C = \frac{1}{6.28 \times F_R \times R_1}$$

Where

C: value of capacitor in Farads

F<sub>R</sub>: ripple frequency in Hz

R1: value of resistor R1 in ohms

If an ADJ-bypass capacitor is used, the amplitude of the output ripple will be independent of the output voltage. If an ADJ-bypass capacitor is not used, the output ripple will be proportional to the ratio of the output voltage to the reference voltage:

$$M = \frac{V_{OUT}}{V_{REF}}$$

Where M=multiplier for the ripple seen when the ADJ pin is optimally bypassed.

$$V_{REF} = 1.25V$$

Ripple rejection for the adjustable version is shown in Figure 20.

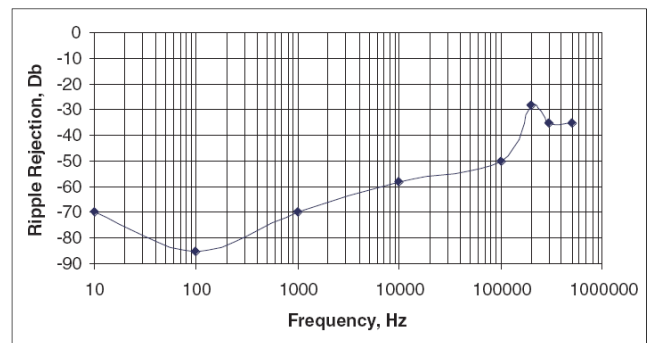


Fig. 20: Ripple Rejection  
V<sub>IN</sub>=3.3V, V<sub>OUT</sub>=1.8V(adj), I<sub>LOAD</sub>=200mA

### OUTPUT VOLTAGE

The output of the adjustable regulator can be set to any voltage between 1.25V and 15V. The value of V<sub>OUT</sub> can be quickly approximated using the formula

$$V_{OUT} = 1.25 \times \frac{R_1 + R_2}{R_1}$$

A small correction to this formula is required depending on the values of resistors R1 and R2, since the adjustable pin current (approx 50µA) flows through R2. When I<sub>ADJ</sub> is taken into account, the formula becomes

$$V_{OUT} = V_{REF} \times \frac{R_1 + R_2}{R_1} + I_{ADJ} \times R_2$$

Where V<sub>REF</sub>=1.25V

**PRE-BIAS OUTPUT VOLTAGE START-UP**

The SPX1117 is not intended for operations requiring start-up into a pre-biased load. Proper discharge of the output voltage is recommended prior of turning on the device through the application of the input voltage.

**LAYOUT CONSIDERATIONS**

Parasitic line resistance can degrade local regulation. In order to avoid this, connect R<sub>1</sub> directly to V<sub>OUT</sub> as illustrated in figure 25. For the same reason R<sub>2</sub> should be connected to the negative side of the load.

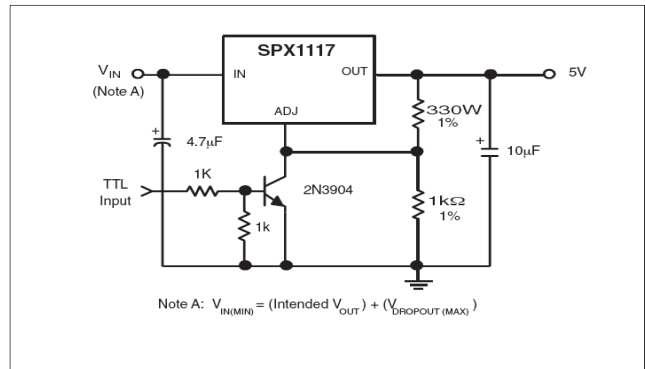


Fig. 24: 5V Regulator with Shutdown

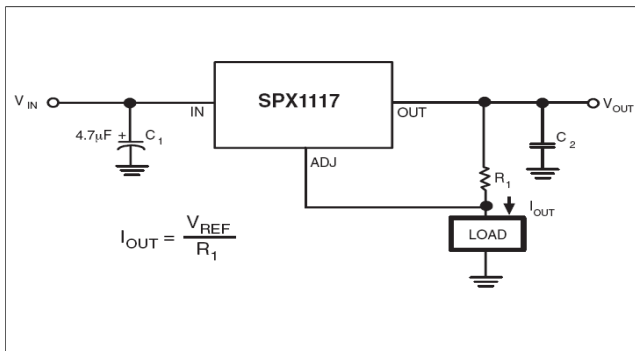


Fig. 21: Current Source

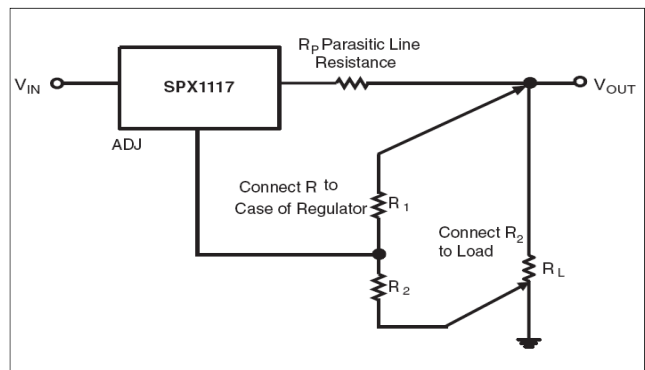


Fig. 25: Recommended Connections for Best Results

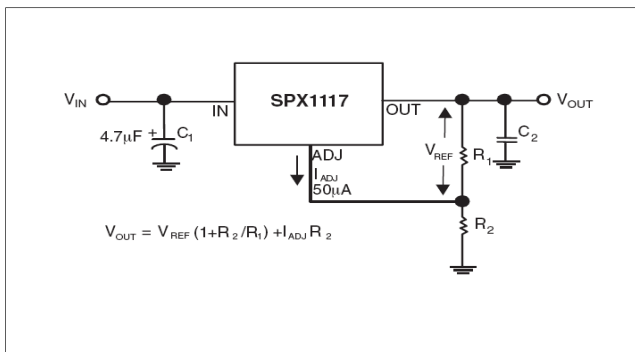


Fig. 22: Typical Adjustable Regulator

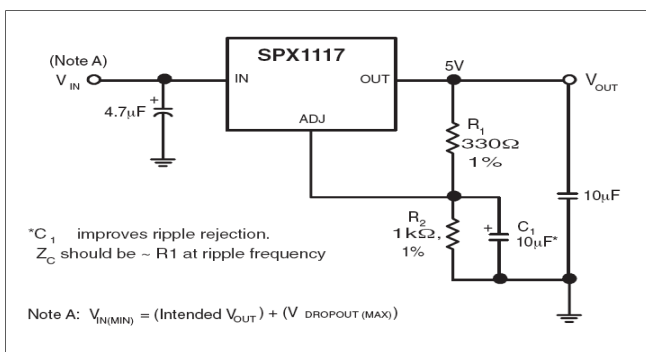


Fig. 23: Improving Ripple Rejection

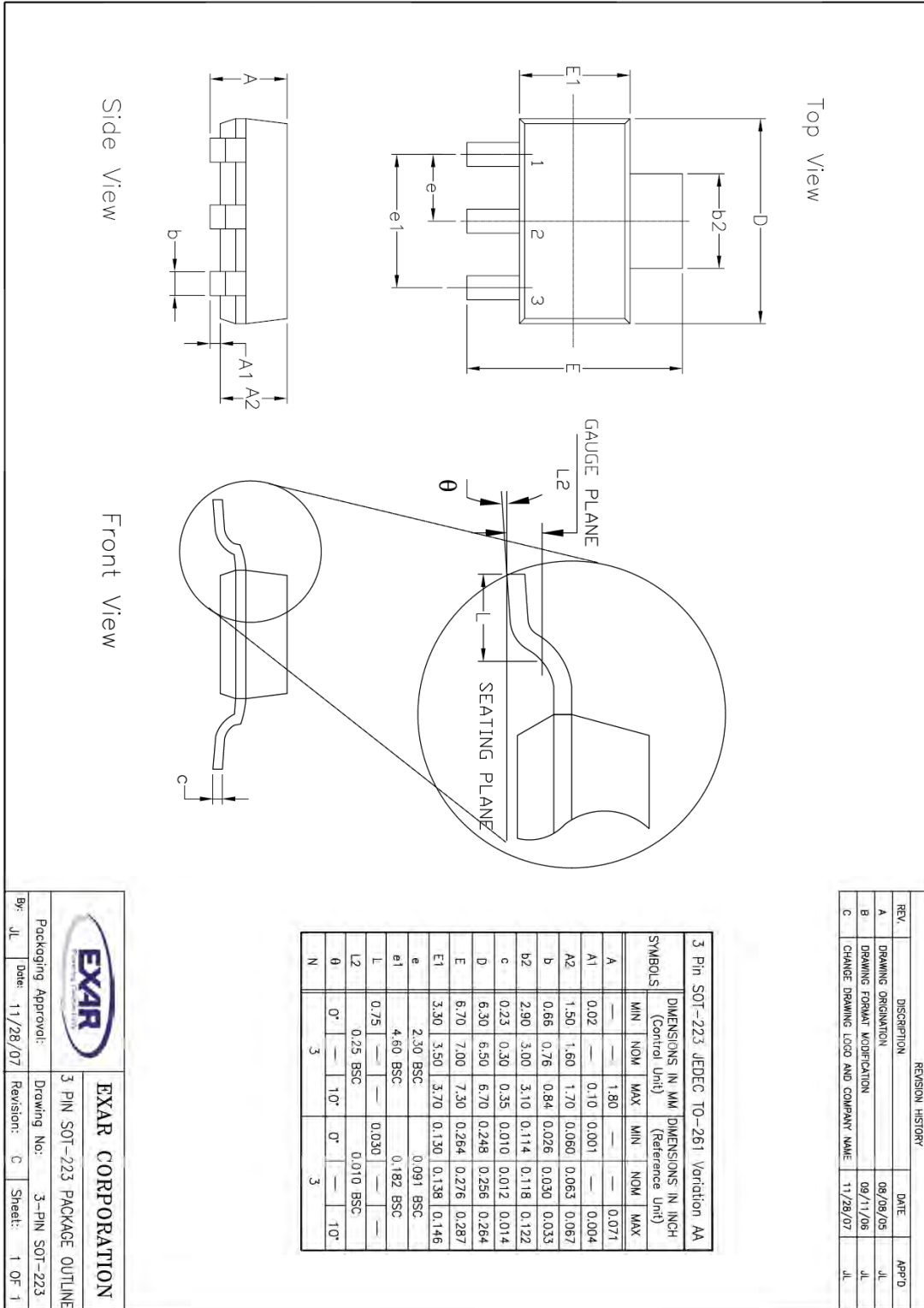
PC Board mm <sup>2</sup>	Topside Copper mm <sup>2</sup>	Backside Copper mm <sup>2</sup>	Thermal Resistance Jct to amb. °C/W
2500	2500	2500	46
2500	1250	2500	47
2500	950	2500	49
2500	2500	0	51
2500	1800	0	53
1600	600	1600	55
2500	1250	0	58
2500	915	0	59
1600	600	0	67
900	240	900	72
900	240	0	85

Table 1



PACKAGE SPECIFICATION

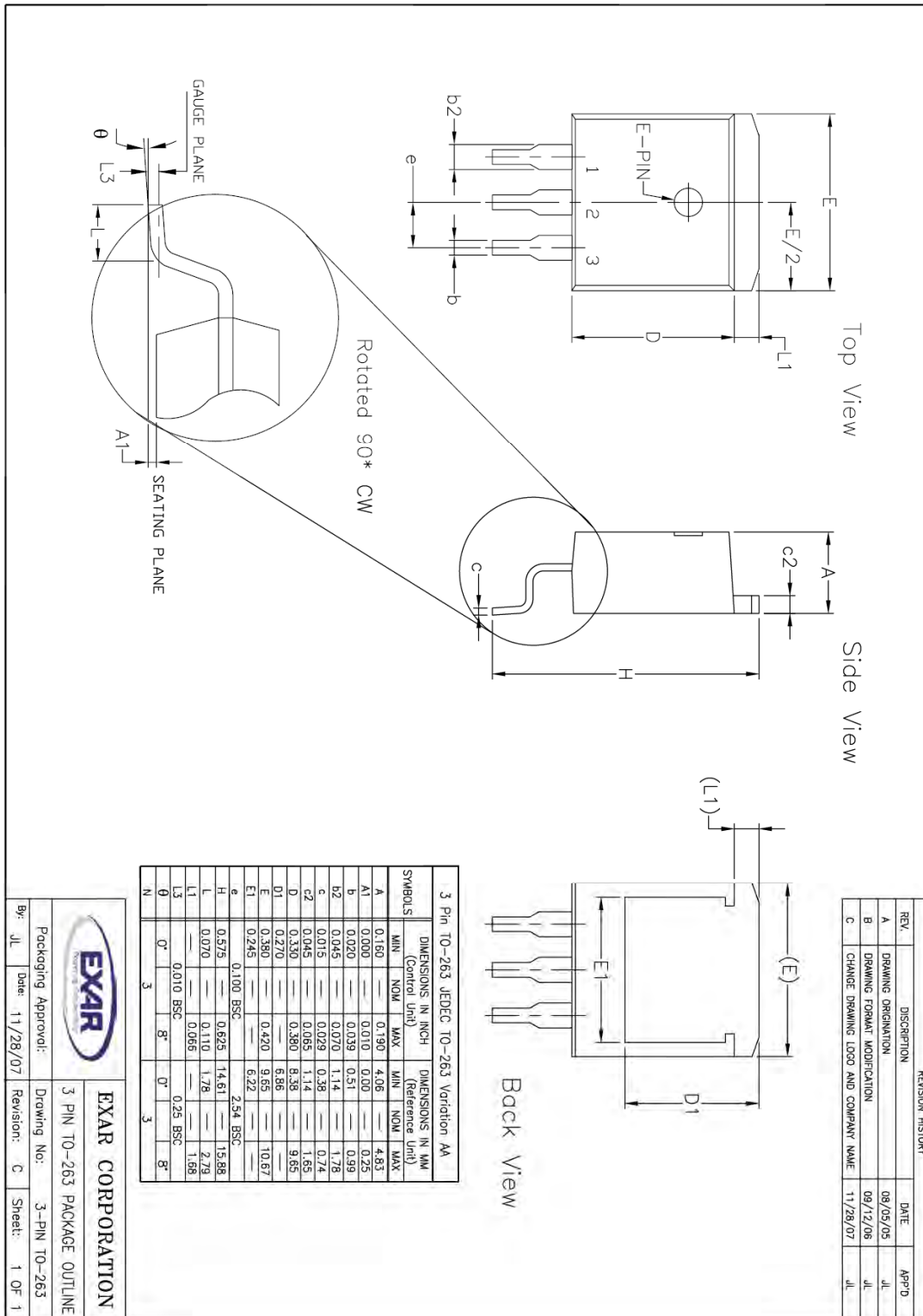
3-PIN SOT-223



REVISION HISTORY			
REV.	DESCRIPTION	DATE	APP'D
A	DRAWING ORIGINATOR	08/09/05	JL
B	DRAWING FORMAT MODIFICATION	09/11/06	JL
C	CHANGE DRAWING LOGO AND COMPANY NAME	11/28/07	JL

		<b>EXAR CORPORATION</b>	
Packaging Approval:		3 PIN SOT-223 PACKAGE OUTLINE	
By: JL	Date: 11/28/07	Drawing No: 3-PIN SOT-223	Sheet: 1 OF 1
Revision: C		Revision: C	

3-PIN TO-263





**REVISION HISTORY**

Revision	Date	Description
2.0.0	06/23/2010	Reformat of Datasheet
2.1.0	08/24/2011	Addition of the Pre-Bias Output Voltage Start-up section

**FOR FURTHER ASSISTANCE**

Email:

[customersupport@exar.com](mailto:customersupport@exar.com)

Exar Technical Documentation:

<http://www.exar.com/TechDoc/default.aspx?>



**EXAR CORPORATION**

**HEADQUARTERS AND SALES OFFICES**

48720 Kato Road

Fremont, CA 94538 – USA

Tel.: +1 (510) 668-7000

Fax: +1 (510) 668-7030

[www.exar.com](http://www.exar.com)

**NOTICE**

EXAR Corporation reserves the right to make changes to the products contained in this publication in order to improve design, performance or reliability. EXAR Corporation assumes no responsibility for the use of any circuits described herein, conveys no license under any patent or other right, and makes no representation that the circuits are free of patent infringement. Charts and schedules contained here in are only for illustration purposes and may vary depending upon a user's specific application. While the information in this publication has been carefully checked; no responsibility, however, is assumed for inaccuracies.

EXAR Corporation does not recommend the use of any of its products in life support applications where the failure or malfunction of the product can reasonably be expected to cause failure of the life support system or to significantly affect its safety or effectiveness. Products are not authorized for use in such applications unless EXAR Corporation receives, in writing, assurances to its satisfaction that: (a) the risk of injury or damage has been minimized; (b) the user assumes all such risks; (c) potential liability of EXAR Corporation is adequately protected under the circumstances.

Reproduction, in part or whole, without the prior written consent of EXAR Corporation is prohibited.