

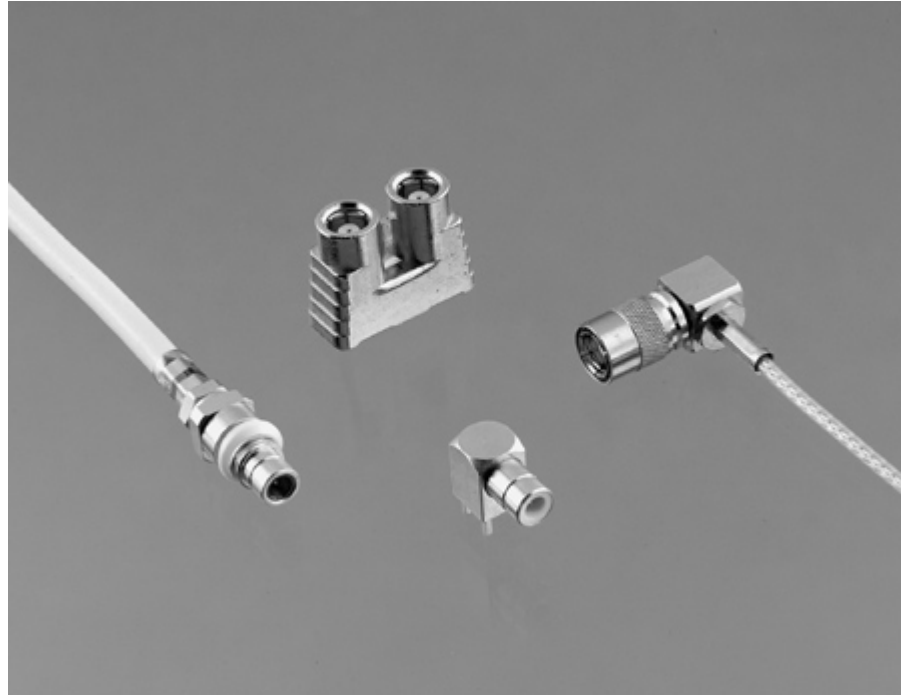
Cannon


ITT Industries
Engineered for life

Type 43 (SMZ)

PART NUMBER: 051-128-9339910

Image Disclaimer:
 Please use Customer
 Drawing for design activity:
 line art and other pictures
 are general representations
 of product dimensions.

[View Line Drawings](#)


Product Family	RF
Product Group	RF - Type 43 (SMZ)
Market Application	Telecom
Component Type	Plugs
Gender	Socket
Mounting Style	90°
Coaxial Cable Type	TZC75024, BT3002
Engagement (Insertion) Force	60 N (13.5 lbs.) maximum
Packaging Type	Each
Plating	Center contact: Gold. Outer contacts: Gold. Other metal parts: Nickel, tin/lead, or zinc.
Product Description	90° Plug, Posi-Lock
Connector Durability	250 mating cycles minimum
Contact Current Rating	1.5 A DC maximum
Insulation Resistance	5 G ohms minimum
Reflection Coefficient	Refer to CECC122300
Shock	490 m/S ² for 11ms
Operating Voltage	(DC or AC peak) At Sea Level, inner conductor to shell = 500 V
Impedance	75 ohms
Frequency Range 1	0 to 3.0 GHz
Contact Resistance	Center contact = 5.0 m ohms maximum Outer contact = 1.0 m ohms maximum

Material	Body components: Copper or zinc alloy. Center contacts, male/female: Copper alloy. Insulators: PTFE or thermoset plastic. Crimp ferrules: Annealed copper alloy.
Contact Retention	21 N (4.7 lbs.)
Posi-Lock Latch Withstand Pull	220 N (50 lbs.)
Insulation Retention	21 N (4.7 lbs.)
Vibration Severity	(a) Frequency range: 10 Hz to 500 Hz. (b) Displacement 0,75 (.029), cross over at approximately 60 Hz. (c) Acceleration 98 m/s ² (321 ft./s ²), cross over at approximately 60 Hz. (d) Duration: 6 hours.
Impact Severity (Free specimens only)	5 impacts at 1 m
Climatic Category	40/100/21
Bump	4000 total at 390 m/s ²
Assembly Instructions	BBAI-1041
BT Coaxial Cable Type Reference	SKT43/5C
For more information	Please Contact Cannon Sales Department .
Footnote	Dimension are shown in mm (inch). Dimensions subject to change.

