

General purpose rectifier leadless diode RLR4004

●Applications

General purpose rectification

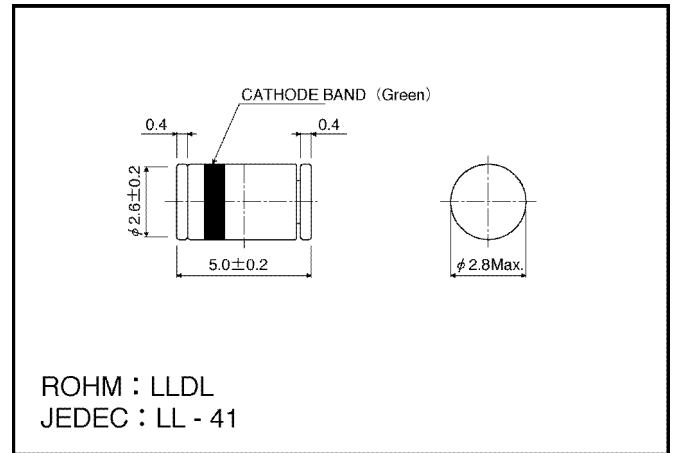
●Features

- 1) High reliability.
- 2) Cylindrical mini power glass sealed envelope.

●Construction

Silicon diffusion junction

●External dimensions (Units: mm)



●Absolute maximum ratings (Ta = 25°C)

| Parameter | Symbol | Limits | Unit |
|-------------------------------|-----------|----------|------|
| Absolute peak reverse voltage | V_{RSM} | 480 | V |
| Peak reverse voltage | V_{RM} | 400 | V |
| Mean rectifying current *1 | I_O | 0.8 | A |
| Peak forward surge current *2 | I_{FSM} | 20 | A |
| Junction temperature | T_j | 150 | °C |
| Storage temperature | T_{stg} | -55~+150 | °C |

*1 When mounted on a PCB board.

*2 60 Hz for 1

●Electrical characteristics (Ta = 25°C)

| Parameter | Symbol | Min. | Typ. | Max. | Unit | Conditions |
|-----------------|--------|------|-------|------|---------|------------|
| Forward voltage | V_F | — | 0.85 | 1.0 | V | $I_F=0.8A$ |
| Reverse current | I_R | — | 0.027 | 10 | μA | $V_R=400V$ |

●Electrical characteristic curves (Ta = 25°C unless specified otherwise)

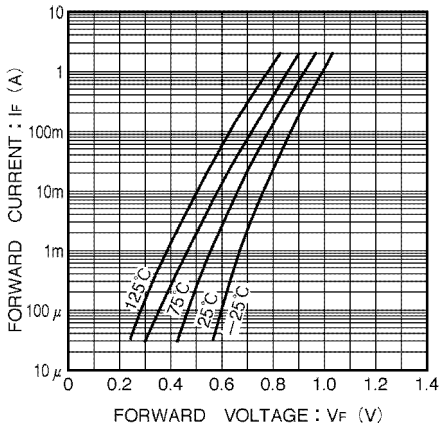


Fig. 1 Forward characteristics

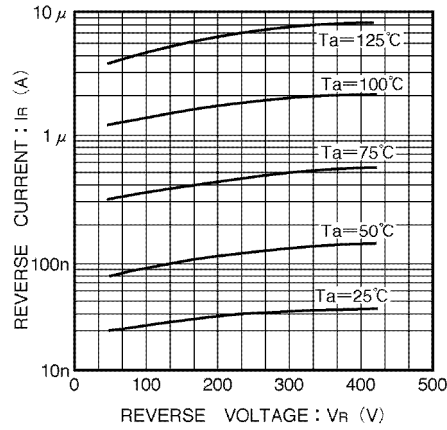


Fig. 2 Reverse characteristics

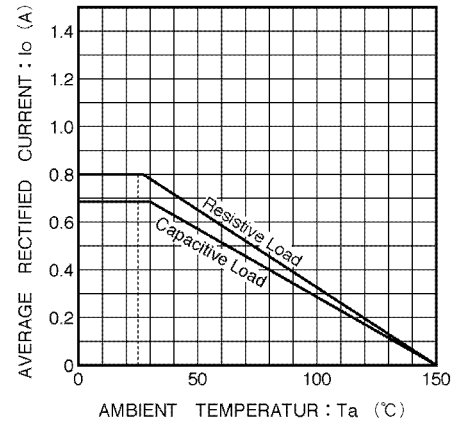


Fig. 3 Derating curve

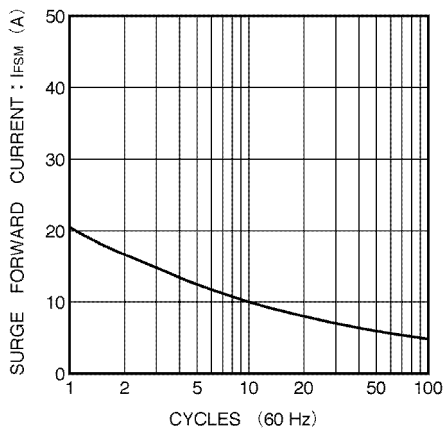


Fig. 4 Maximum peak forward surge current characteristics