

**Metalglaze Film Resistors, moulded, vertical
 unflammmable acc. to IEC 695-2-2**

Specification

		525	526
Type			
Style		04	
Power rating P_{70}	W	0,5	
Resistance range	Ω	see Page 2	
E-series		see Page 2	
Tolerance	%	see Page 2	
Temperature coefficient	$10^{-6} * K^{-1}$	see Page 2	
max. cont. working voltage	V_{RMS}	350	
Voltage coefficient	$10^{-6} * V^{-1}$	< 30	
Insulation voltage (1min.)	V_{RMS}	1000	
Insulation resistance	$M\Omega$	>10 ⁴ except top surface	
Derating linear		see Page 2	
Climatic category		55/155/56	
Temperature range	$^{\circ}C$	-55 ... 175	
Thermal resistance	KW^{-1}	80	90
Failure rate (Total, ϑ_0 max., 60% conf. lev.)	$10^{-9} * h^{-1}$	< 1	
Endurance (P_{70} , @ 70°C, 1000h, interm.)	$\left[\frac{\Delta R}{R} \right]$ %	± 0,5	
Damp heat, steady state (40°C, 93% r. h., 56d)	$\left[\frac{\Delta R}{R} \right]$ %	± 1,0	
Climatic sequence	$\left[\frac{\Delta R}{R} \right]$ %	± 1,0	

Series RGU



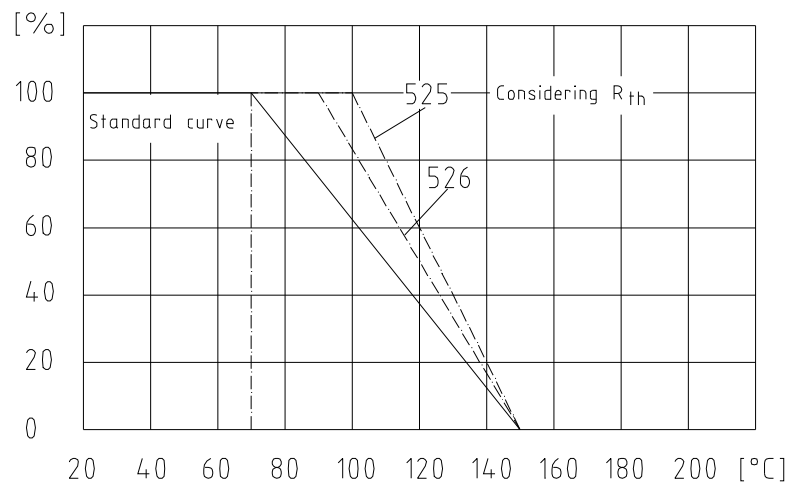
VITROHM DEUTSCHLAND GmbH
 SIEMENSSTR. 7-9 25421 PINNEBERG
 Tel. +49 (0)4101/708-0 Fax. +49 (0)4101/72787

Metalglaze Film Resistors, moulded, vertical unflammmable acc. to IEC 695-2-2

Type		525	526
Terminal strength	$\left[\frac{\Delta R}{R} \right]$ %	± 0,2	
Terminal tensile strength	N	40	
Resistance to soldering heat (260°C, 10s)	$\left[\frac{\Delta R}{R} \right]$ %	± 0,1	
Solderability	s	2,5 Flowtime, solderglobule test, IEC 60068-2-20-T	
Current noise (DIN/IEC 195)	dB	R < 1K0: -20 R > 1K0: -20 +20 / decade	
Nonlinearity (DIN/IEC 440)	dB	110 - 20 / decade	
Marking		DIN-IEC-Colour code; 4 resp. 5 Bands	

Resistance range	E-series	Tolerance	TC ppm/K
R30 ... 3M3	E 24	± 2%	100 (T0) *
10R ... 3M32	E 96	± 1%	50 (T2)
10R ... 1M0	E 96	± 0,5%	25 (T9)
* R < 1R0: TC 200			

Derating:



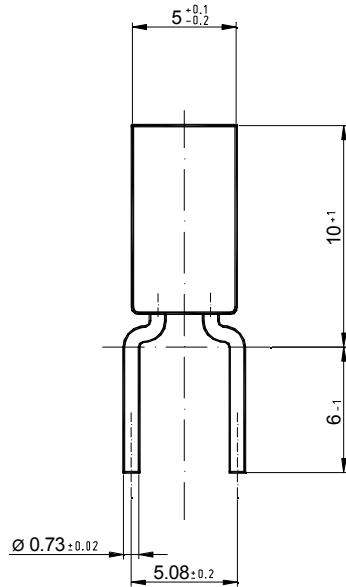
Series RGU



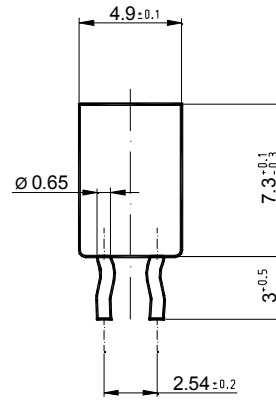
VITROHM DEUTSCHLAND GmbH
 SIEMENSSTR. 7-9 25421 PINNEBERG
 Tel. +49 (0)4101/708-0 Fax. +49 (0)4101/72787

**Metalglaze Film Resistors, moulded, vertical
 unflammmable acc. to IEC 695-2-2**

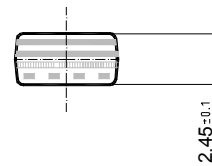
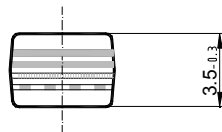
Dimensions in mm:



525-6



526-0



Packaging:

Type	Packaging	Pieces	Pack.-Code
525	taped	1000	5R
526	bulk	100	AP

Ordering example:

525-0	1K0	1%	5R
Type	Value	Tolerance	Pack.-Code