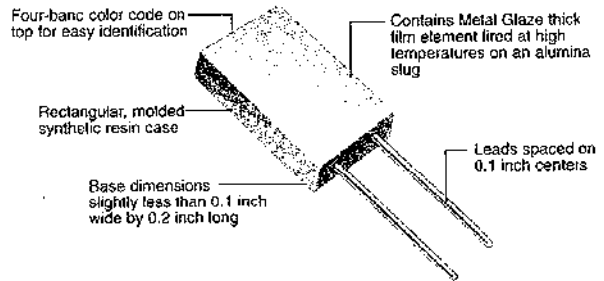




RADIAL LEAD MOLDED METAL GLAZE RESISTOR

RGU SERIES*

- Takes up half the PC board area of comparably rated axial-lead resistors
- Project 0.39 in. from the board surface when installed
- Can be placed individually, or grouped in rows, in any direction on standard predrilled PC boards
- Available on carrier tape and are auto-insertable with existing equipment

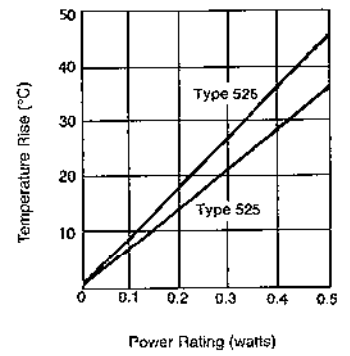


*Manufactured in Germany

SPECIFICATIONS:

Style	Type	Resistance Range	Tolerance	Temperature Coefficient	Voltage Coefficient
04 (DIN 41 428)	525,526	R30 - 10M, E24*, 5%, T0** R30 - 10M, E24*, 2%, T0** 10R - 4M87, E 48*, 1%, T2 10R - 1M0, E96*, 0.5%, T9			<30 ^{10-9/V}
		*European Decade Value **(<1R0: TC 200)			
Max. Cont. Working Voltage	Dielectric Withstanding Voltage	Insulation Resistance	Power Rating P ₇₀ acc. to DIN 44064	Thermal Resistance (max.)	Temperature Range
350 Vrms	1000Vrms min.	>10 ¹⁰ M	0.5W	80%/w, 90%/w	-55°C/155°C/5.6days
Temperature Range Permissible	Stability (P ₇₀ , I _a =70°C, 5000 h)	Damp Heat Steady State (40°C, 93% r.h., 56 days)	Failure Rate (I ₀ = 150°C) acc. to DIN 44064		
-65°C/175°C	±0.5%	±1.0%	<1 ^{10-9/h}		

TEMPERATURE RISE:



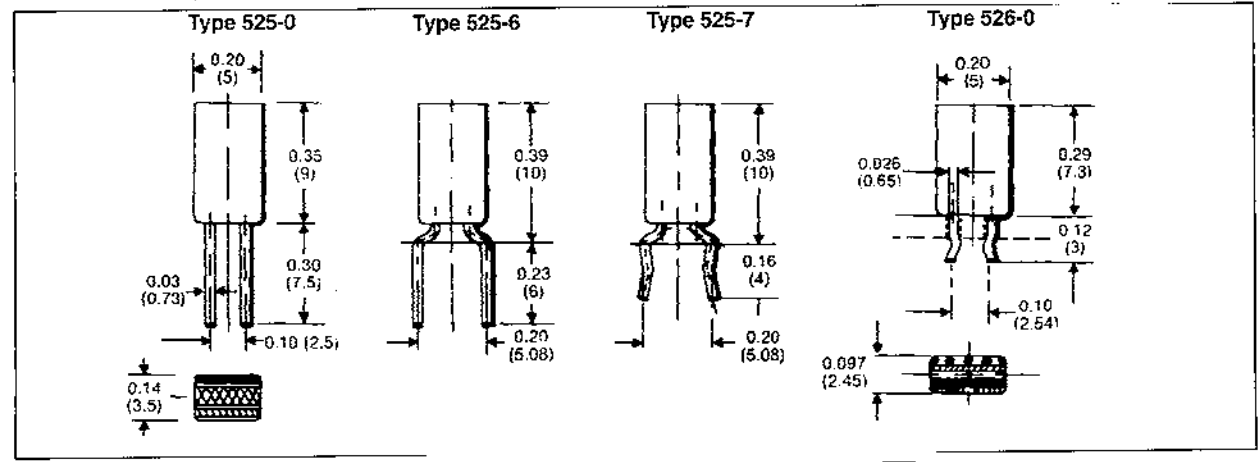
STANDARDS:

Electrical properties according to MIL-R-22684 and DIN 44 064; DIN 41 428, style 04 type 525-0 approved to CECC 40 101-029 type 526-0, approval pending. Qualified and approved to VG 95295, T2 and VG 95211, type 525-0: style FMG 01, MTV 5905-001 (order 525-920) type 526-0: style FMG 02, MTV 5905-002 (order 526-920)

STANDARD PACKAGING:

Bulk

DIMENSIONS (Inches and (mm)):



4857242 0000907 713