

the leading provider of
CLOCK
products.



LIFE SUPPORT POLICY

Integrated Device Technology's products are not authorized for use as components in life support or other medical devices or systems (hereinafter life support devices) unless a specific written agreement pertaining to such intended use is executed between the manufacturer and an officer of IDT.

1. Life support devices are devices which (a) are intended for surgical implant into the body or (b) support or sustain life and whose failure to perform, when properly used in accordance with instructions for use provided in the labeling, can be reasonably expected to result in a significant injury to the user.
2. This policy covers any component of a life support device or system whose failure to perform can cause the failure of the life support device or system, or to affect its safety or effectiveness.

Note: Integrated Device Technology, Inc. reserves the right to make changes to its products or specifications at any time, without notice, in order to improve design or performance and to supply the best possible product. IDT does not assume any responsibility for use of any circuitry described herein other than the circuitry embodied in an IDT product. The Company makes no representations that circuitry described herein is free from patent infringement or other rights of third parties which may result from its use. No license is granted by implication, estoppel, or otherwise under any patent, or other rights, of Integrated Device Technology, Inc.

The IDT logo is a registered trademark of IDT.

Use of any IDT product in violation of this policy voids any warranties associated with the product, and is used at the customer's own risk.

© 1999 Integrated Device Technology, Inc.

Printed In U.S.A.

Table of Contents

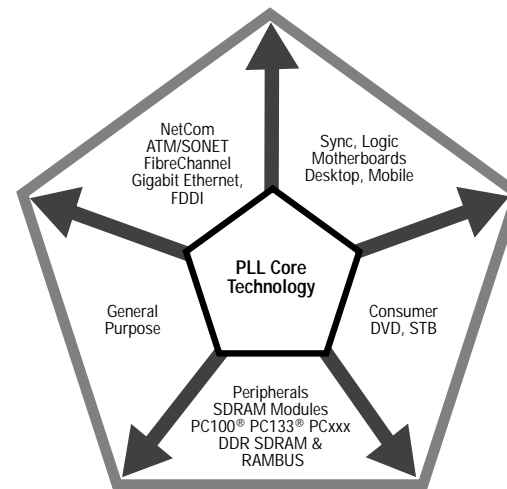
	Page
Introduction	2
Part Number Nomenclature	3
Alphanumeric Listing	4
Product Summary by Function	6
Competitive Cross Reference	8
Package & Ordering Information	11

IDT/QSI Clock Management Products

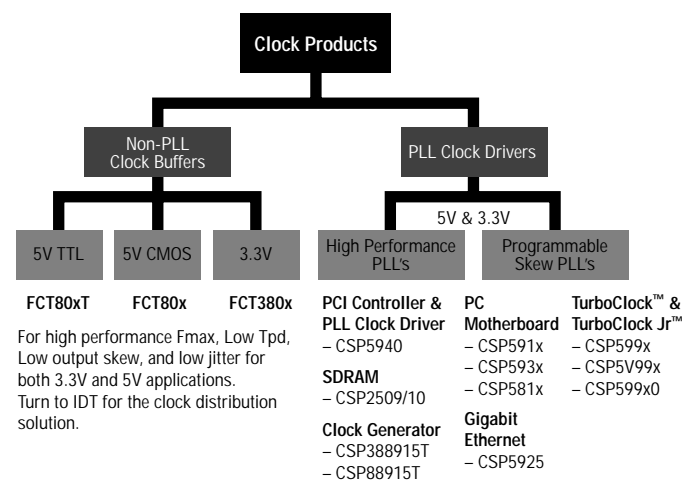
Introduction

Clock Synthesis Products From IDT

Clock Generation and distribution in today's designs, require control of several key aspects of clock management. IDT offers a full spectrum of Clock Synthesis Products designed with these key aspects in mind. Low output skew drivers and buffers, PLL based devices, PC clock drivers, and Programmable skew devices make up the portfolio.



Key Segments Supported include Synchronous Logic, Consumer, Peripheral, General Purpose, and NetCom Applications.



High performance Clock Generation, Low Tpd, Low and/or programmable output skew, and low Jitter in both 3.3V and 5V applications, Turn to IDT for the clock distribution solution.

PC100 & PC133 compliant PLL's, PC Motherboard Clock Drivers supporting SSC and Rambus reference clocks

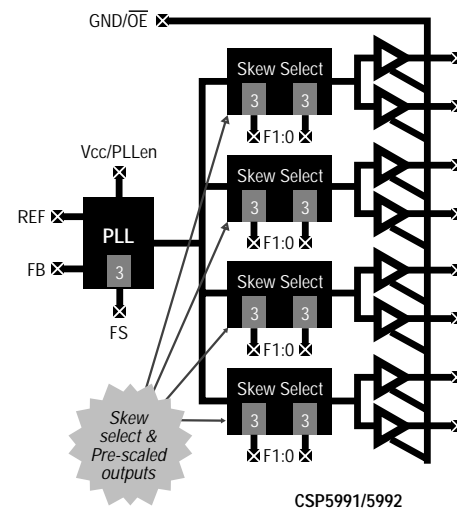
TurboClock:

High performance, programmable skew devices for very sensitive critical path designs.

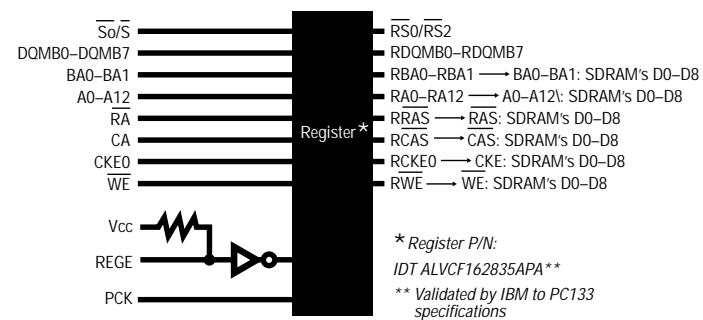
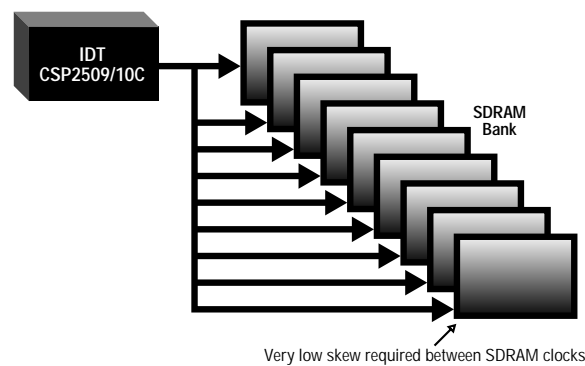
Tune the design

For critical path designs, the TurboClock™ Family allows the designer to vary the skew between outputs and phase align them for optimization of the clock path. Prescalers are included to provide 1X, 2X, 4X and 1/2 outputs, all with variable delays to >100MHz.

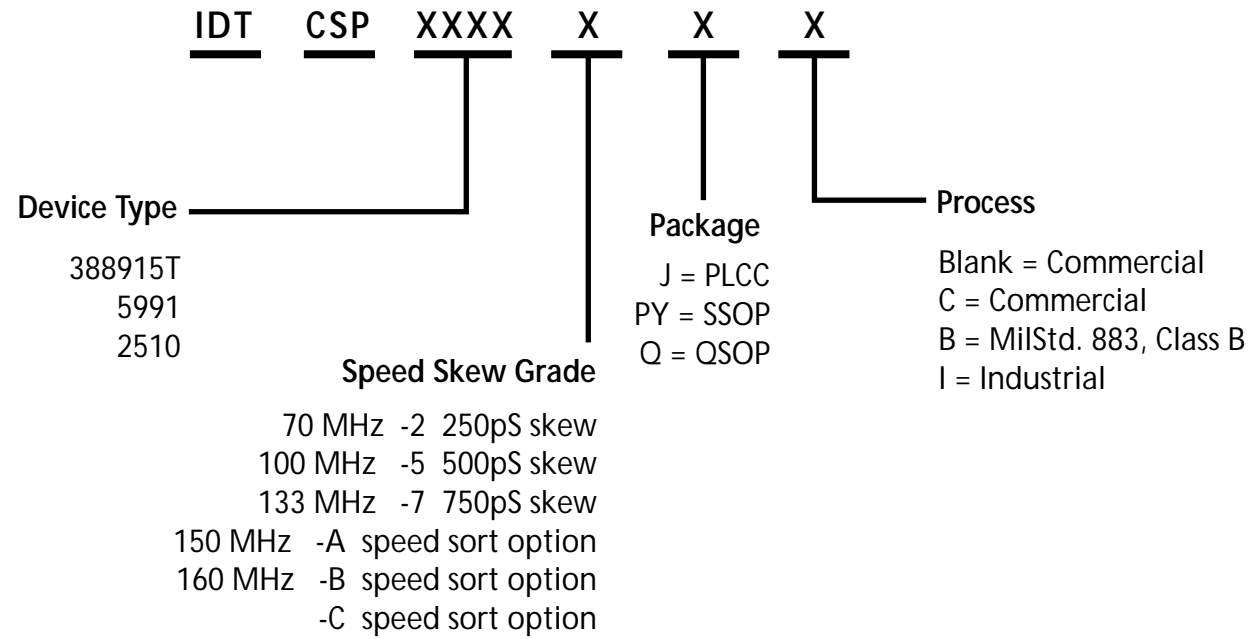
TurboClock— Programmable Skew PLL and Drivers



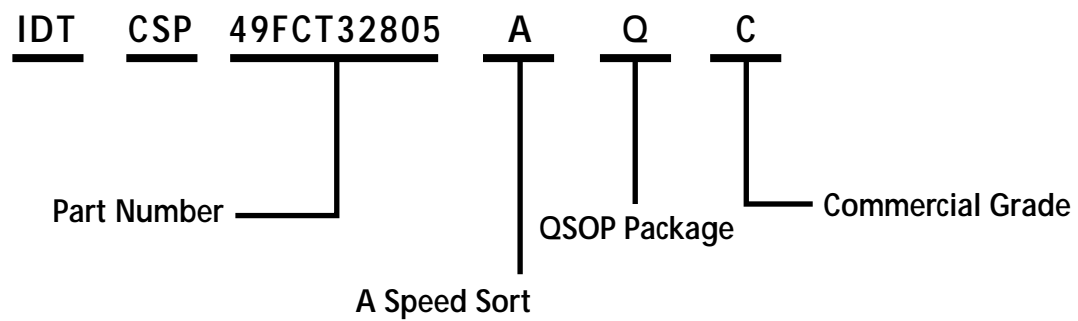
PC133 SDRAM Module Block Diagram



Part Number Nomenclature Clock Devices



Example:



Alphanumeric Device List

49FCT2805ATQ	10 bit low skew fanout buffer w/ term resistors	49FCT806ATSO	Dual 1:5 Inverting Clock Driver
49FCT2805ATSO	10 bit low skew fanout buffer w/ term resistors	49FCT806BTQ	Dual 1:5 Inverting Clock Driver
49FCT2805BTQ	10 bit low skew fanout buffer w/ term resistors	49FCT806BTSO	Dual 1:5 Inverting Clock Driver
49FCT2805BTSO	10 bit low skew fanout buffer w/ term resistors	49FCT806CTQ	Dual 1:5 Inverting Clock Driver
49FCT2805CTQ	10 bit low skew fanout buffer w/ term resistors	49FCT806CTSO	Dual 1:5 Inverting Clock Driver
49FCT2805CTSO	10 bit low skew fanout buffer w/ term resistors	49FCT806TQ	Dual 1:5 Inverting Clock Driver
49FCT2805TQ	10 bit low skew fanout buffer w/ term resistors	49FCT806TSO	Dual 1:5 Inverting Clock Driver
49FCT2805TSO	10 bit low skew fanout buffer w/ term resistors	49FCT807ATQ	1:10 Clock Driver
49FCT2806ATQ	10 bit low skew fanout buffer - inverting	49FCT807ATSO	1:10 Clock Driver
49FCT2806ATSO	10 bit low skew fanout buffer - inverting	49FCT807BTQ	1:10 Clock Driver
49FCT2806BTQ	10 bit low skew fanout buffer - inverting	49FCT807BTSO	1:10 Clock Driver
49FCT2806BTSO	10 bit low skew fanout buffer - inverting	49FCT807CTQ	1:10 Clock Driver
49FCT2806CTQ	10 bit low skew fanout buffer - inverting	49FCT807CTSO	1:10 Clock Driver
49FCT2806CTSO	10 bit low skew fanout buffer - inverting	49FCT807TQ	1:10 Clock Driver
49FCT2806TQ	10 bit low skew fanout buffer - inverting	49FCT807TSO	1:10 Clock Driver
49FCT2806TSO	10 bit low skew fanout buffer - inverting	49FCT810TQ	Dual 1:5 Inverting/Non-Inverting Clock Driver
49FCT32805AQ	-3.3V 10 bit low skew buffer w/ term resistors	49FCT810TP	Dual 1:5 Inverting/Non-Inverting Clock Driver
49FCT32805ASO	-3.3V 10 bit low skew buffer w/ term resistors	49FCT810TPY	Dual 1:5 Inverting/Non-Inverting Clock Driver
49FCT32805BQ	-3.3V 10 bit low skew buffer w/ term resistors	49FCT810TSO	Dual 1:5 Inverting/Non-Inverting Clock Driver
49FCT32805CQ	-3.3V 10 bit low skew buffer w/ term resistors	49FCT810TDB	Dual 1:5 Inverting/Non-Inverting Clock Driver
49FCT32805Q	-3.3V 10 bit low skew buffer w/ term resistors	74FCT3807AQ	3.3V 1:10 Clock Driver
49FCT32805SO	-3.3V 10 bit low skew buffer w/ term resistors	CSP388915T-100J	3.3V 8-Output Clock Generator
49FCT3805AQ	3.3V Dual 1:5 Clock Driver	CSP388915T-133J	3.3V 8-Output Clock Generator
49FCT3805BQ	3.3V Dual 1:5 Clock Driver	CSP388915T-133Q	3.3V 8-Output Clock Generator
49FCT3805CQ	3.3V Dual 1:5 Clock Driver	CSP388915T-160J	3.3V 8-Output Clock Generator
49FCT3805Q	3.3V Dual 1:5 Clock Driver	CSP388915T-160Q	3.3V 8-Output Clock Generator
49FCT805AQ	Dual 1:5 Clock Driver	CSP388915T-50Q	3.3V 8-Output Clock Generator
49FCT805ASO	Dual 1:5 Clock Driver	CSP388915T-55J	3.3V 8-Output Clock Generator
49FCT805ATH	Dual 1:5 Clock Driver	CSP388915T-55Q	3.3V 8-Output Clock Generator
49FCT805ATQ	Dual 1:5 Clock Driver	CSP388915T-66Q	3.3V 8-Output Clock Generator
49FCT805ATQ-S257	Dual 1:5 Clock Driver	CSP388915T-70J	3.3V 8-Output Clock Generator
49FCT805ATSO	Dual 1:5 Clock Driver	CSP388915T-70Q	3.3V 8-Output Clock Generator
49FCT805BQ	Dual 1:5 Clock Driver	CSP88915-133J	8-Output Clock Generator
49FCT805BTQ	Dual 1:5 Clock Driver	CSP88915T-100J	8-Output Clock Generator
49FCT805BTSO	Dual 1:5 Clock Driver	CSP88915T-100Q	8-Output Clock Generator
49FCT805CQ	Dual 1:5 Clock Driver	CSP88915T-133J	8-Output Clock Generator
49FCT805CSO	Dual 1:5 Clock Driver	CSP88915T-133Q	8-Output Clock Generator
49FCT805CTQ	Dual 1:5 Clock Driver	CSP88915T-160J	8-Output Clock Generator
49FCT805CTSO	Dual 1:5 Clock Driver	CSP88915T-160Q	8-Output Clock Generator
49FCT805Q	Dual 1:5 Clock Driver	CSP88915T-50J	8-Output Clock Generator
49FCT805SO	Dual 1:5 Clock Driver	CSP88915T-50Q	8-Output Clock Generator
49FCT805TQ	Dual 1:5 Clock Driver	CSP88915T-70J	8-Output Clock Generator
49FCT805TSO	Dual 1:5 Clock Driver	CSP88915T-70Q	8-Output Clock Generator
49FCT806ATQ	Dual 1:5 Inverting Clock Driver	CSP88915TT-100J	8-Output Clock Generator

Alphanumeric Device List (Cont'd)

CSP88915TT-100Q	8-Output Clock Generator			CSP5930-50Q	6 Output PLL Clock Driver
CSP88915TT-133J	8-Output Clock Generator			CSP5930-66Q	6 Output PLL Clock Driver
CSP88915TT-133Q	8-Output Clock Generator			CSP5931-50Q	6 Output PLL Clock Driver
CSP88915TT-160J	8-Output Clock Generator			CSP5931-66Q	6 Output PLL Clock Driver
CSP88915TT-160Q	8-Output Clock Generator			CSP5931-80Q	6 Output PLL Clock Driver
CSP88915TT-50J	8-Output Clock Generator			CSP5931T-50Q	6 Output PLL Clock Driver
CSP88915TT-50Q	8-Output Clock Generator			CSP5931T-66Q	6 Output PLL Clock Driver
CSP88915TT-55J	8-Output Clock Generator			CSP5931T-80Q	6 Output PLL Clock Driver
CSP88915TT-70J	8-Output Clock Generator			CSP5935	Low Skew CMOS PLL Clock Driver with ± 34 mA Outputs
CSP88915TT-70Q	8-Output Clock Generator			CSP5940Q	PCI Controller & PLL Clock Driver
CSP88915TT-80Q	8-Output Clock Generator			CSP59910-2SO	TurboClock Jr.
74FCTP807ATQ	1:10 Clock Driver	PECL INPUTS		CSP59910-5SO	TurboClock Jr.
74FCTP807ATQCTQ	1:10 Clock Driver	PECL INPUTS		CSP59910-7SO	TurboClock Jr.
74FCTP807ATSO	1:10 Clock Driver	PECL INPUTS		CSP5991-2J	TurboClock - Programmable skew clock driver
74FCTP807BTQ	1:10 Clock Driver	PECL INPUTS		CSP5991-5J	TurboClock - Programmable skew clock driver
74FCTP807TQ	1:10 Clock Driver	PECL INPUTS		CSP5991-7J	TurboClock - Programmable skew clock driver
74FCTP807TSO	1:10 Clock Driver	PECL INPUTS		CSP59920-2SO	TurboClock Jr.
CSP2509APG	3.3V 1:10 PLL Clock Driver			CSP59920-5SO	TurboClock Jr.
CSP2509BPG	3.3V 1:10 PLL Clock Driver	PC100 Compliant		CSP59920-7SO	TurboClock Jr.
CSP2509CPG	3.3V 1:10 PLL Clock Driver	PC133 Compliant		CSP5992-2J	TurboClock - Programmable skew clock driver
CSP2510APG	3.3V 1:11 PLL Clock Driver			JCSP5992-5J	TurboClock - Programmable skew clock driver
CSP2510BPG	3.3V 1:11 PLL Clock Driver	PC100 Compliant		CSP5992-7J	TurboClock - Programmable skew clock driver
CSP2510CPG	3.3V 1:11 PLL Clock Driver	PC133 Compliant		CSP5993-2Q	TurboClock - Programmable skew clock driver
CSP5244TSO	High speed CMOS 8 bit Buffer / Line Driver			CSP5993-5Q	TurboClock - Programmable skew clock driver
CSP5244TQ	High speed CMOS 8 bit Buffer / Line Driver			CSP5993-7Q	TurboClock - Programmable skew clock driver
CSP5244TQ-S260	High speed CMOS 8 bit Buffer / Line Driver			CSP5LV931-66J	3.3V 6 Output Clock Driver
CSP5810TPY	Low Skew Clock Driver/Buffer for Mobile PC + 4 SO DIMMS5			CSP5LV931-66Q	3.3V 6 Output Clock Driver
CSP5818TPY	Low Skew Clock Driver/Buffer for Desktop PC + 4 DIMMS5			CSP5V9910-2SO	TurboClock Jr.
CSP5820ATQ2	20 Output Low Skew Driver/Buffer			CSP5V9910-5SO	TurboClock Jr.
CSP5820BTQ2	20 Output Low Skew Driver/Buffer			CSP5V9910-7SO	TurboClock Jr.
CSP5910-77PY	PC Motherboard PLL and Driver w/ RAMBUS clock support1			CSP5V991-2J	3.3V TurboClock
CSP5912-01PY	Clock Generator/Synthesiser for Mobile Aps w/ SSC			CSP5V991-5J	3.3V TurboClock
CSP5912-02PY	Clock Generator/Synthesiser for Mobile Aps			CSP5V991-7J	3.3V TurboClock
CSP5920-1	3.3V 11 output SDRAM PLL/Clock Driver for PC100 Compliant Systems Supports SSC.			CSP5V993-2QC	3.3V TurboClock
CSP5925Q	Programmable Frequency Generator (Gigabit Ethernet PLL)			CSP5V993-2QI	3.3V TurboClock
				CSP5V993-5Q	3.3V TurboClock
				CSP5V993-5QI	3.3V TurboClock
				CSP5V993-7QI	3.3V TurboClock

Product Summary By Function

Device	Speed/Skew Grade	Description	Outputs	Package Types	Pin Count	Availability
5V Clock Drivers / Buffers						
49FCT805	A/B/C	Dual 1:5 Clock Driver	CMOS/TTL	P, SO, PY, Q, DB, LB, H	20	Now
49FCT2805	A/B/C	10-bit Low Skew Fanout Buffer	CMOS/TTL	Q, SO	20	Now
49FCT806	A/B/C	Dual 1:5 Inverting Clock Driver	CMOS/TTL	P, SO, PY, DB, LB	20	Now
49FCT2806	A/B/C	10-bit Low Skew Fanout Buffer-Inverting	CMOS/TTL	Q, SO	20	Now
74FCT807	A/B/C	1:10 Clock Driver	TTL	P, SO, PY, Q, DB, LB	20	Now
CSPP807	A/B/C	1:10 Clock Driver PECL Inputs	TTL	Q, SO	20	Now
49FCT52807	A/B/C	10-bit Low Skew Fanout Buffer	TTL	Q, SO	20	Now
CSP5P2807	A/B/C	10-bit Low Skew Fanout Buffer w/PECL Inputs	TTL	Q, SO	20	Now
74FCT810	B/C	Dual 1:5 Inverting/Non-Inverting Clock Driver	TTL	P, SO, PY, Q, DB, LB	20	Now
CSP5820	A/B	20 Output Low Skew Driver/Buffer	TTL	Q2	20	Now
CSP5917*	70/100/132	8 Output PLL Clock Driver w/INTERNAL LOOP FILTER	TTL	J, Q	20	Now
CSP5930*	50/66/80	6 Output PLL Clock Driver	TTL	Q	20	Now
CSP5931	50/66/80	6 Output PLL Clock Driver	CMOS/TTL	Q	20	Now
CSP5935		Low Skew CMOS PLL Clock Driver with ± 34 mA Outputs				
CSP5244		High Speed CMOS 8-bit Buffer/Line Driver	TTL	Q, SO	20	Now
3.3V Clock Drivers/Buffers						
49FCT3805	A	3.3V Dual 1:5 Clock Driver	TTL	P, SO, PY, Q, DB, LB	20	Now
CSP3806	A/B/C	3.3V Dual 1:5 Inverting Clock Driver	TTL	P, SO, PY, DB, LB	20	Now
49FCT32805	A/B/C	3.3V 10-bit Low Skew Buffer w/Term Resistors	TTL	Q, SO	20	Now
74FCT3807	A	3.3V 1:10 Clock Driver	TTL	P, SO, PY, Q, DB, LB	20	Now
CSP5LV931	66	3.3V 6 Output Clock Driver	CMOS	J, Q	20	Now
5V PLL Clock Generators						
CSP88915TT	50/55/70/80/ 100/133/160	8 Output Clock Generator	TTL/TriState	J, LB, PY	28	Now
3.3V PLL Clock Generators						
CSP388915TT	50/70/100/133	3.3V 8 Output Clock Generator	TTL/TriState	J, LB, PY	28	Now
CSP5925		Programmable Frequency Generator	CMOS	Q	16	Now
SDRAM Clock Generators/Drivers						
CSP2509B	B	3.3V PLL Clock Driver PC100 Compliant	CMOS	PG	24	Now
CSP2509C	C	3.3V PLL Clock Driver PC100/PC133 Compliant	CMOS	PG	24	Samples Now
CSPF2509C		3.3V PLL Clock Driver Full PC133 Compliant	CMOS	PG	24	Fall '99
CSP2510B	B	3.3V PLL Clock Driver PC100 Compliant	CMOS	PG	24	Now
CSP2510C	C	3.3V PLL Clock Driver PC100/PC133 Compliant	CMOS	PG	24	Samples Now
CSPF2510C		3.3V PLL Clock Driver Full PC133 Compliant	CMOS	PG	24	Fall '99
CSP5920A	A	3.3V 11 Output SDRAM PPL/Clock Driver for PC100 Compliant Systems Supports SSC	CMOS	Q	16, 24	Now

* Not Recommended for New Designs

Product Summary By Function (cont'd)

Device	Speed/Skew Grade	Description	Outputs	Package Types	Pin Count	Availability
TurboClock Family						
CSP5991	-2/-5/-7	TurboClock-Programmable Skew Clock Driver	TTL	JR	32	Now
CSP5992	-2/-5/-7	TurboClock-Programmable Skew Clock Driver	CMOS	JR	32	Now
CSP5993	-2/-5/-7	TurboClock-Programmable Skew Clock Driver	TTL	JR	32	Now
CSP5V991	-2/-5/-7	3.3V TurboClock	TTL	JR	32	Now
CSP5V993	-2/-5/-7	3.3V TurboClock	TTL	Q	28	Now
CSP59910	-2/-5/-7	TurboClock Jr.	TTL	SO	24	Now
CSP59920	-2/-5/-7	TurboClock Jr.	CMOS	SO	24	Now
CSP5V9910	-2/-5/-7	3.3V TurboClock Jr.	TTL	SO	24	Now
Gigabit Ethernet PLL and Driver						
CSP5925		Gigabit Ethernet PLL and Driver	TTL	Q	16	Samples Now
PC Motherboard Clock Support						
QS5810		Low Skew Clock Driver/Buffer for Mobile PC + 4 SO DIMMS – 10 Outputs	TTL	PY	48	Now
QS5813		Low Skew Clock /Buffer for Mobile PC + 4 SO DIMMS – 13 Outputs	CMOS	PV	28	Now
QS5814		Low Skew Clock /Buffer for Mobile PC + 4 SO DIMMS – 14 Outputs	CMOS	PV	28	Now
QS5818		Low Skew Clock Driver/Buffer for Desktop PC + 4 DIMMS – 18 Outputs	TTL	PY	48	Now
CSP5912-01		Clock Generator/Synthesiser for Mobile Aps w/SSC	TTL	PY	28	Advanced
CSP5912-02		Clock Generator/Synthesiser for Mobile Aps	TTL	PY	28	Advanced
CSP5910-77		PC Motherboard PLL and Driver w/RAMBUS Clock Support	TTL	PY	48	Advanced
CSP5940		PCI Controller + PLL Driver	TTL	Q	28	Fall '99

Competitive Cross Reference

Cypress	IDT	Pericom	IDT
CY7B991-2JC	CSP5991-2JC	P149FCT3805Q	49FCT3805Q
CY7B991-5JC	CSP5991-5JC	P149FCT3805S	49FCT3805SO
CY7B991-5JI	CSP5991-5JI	P149FCT3805AQ	49FCT3805Q
CY7B991-7JC	CSP5991-7JC	P149FCT3805BQ	49FCT3805AQ
CY7B991-7JI	CSP5991-7JI	P149FCT3805AS	49FCT3805SO
CY7B992-2JC	CSP5992-JC	P149FCT3805AP	49FCT3805P
CY7B992-5JC	CSP5992-5JC	P149FCT3805BP	49FCT3805AP
CY7B992-5JI	CSP5992-5JI	P149FCT3805BS	49FCT3805ASO
CY7B992-7JC	CSP5992-7JC	P149FCT806TQ	49FCT806TQ
CY7B992-7JI	CSP5992-7JI	P149FCT806TS	49FCT806TSO
CY7B9910-2SC	CSP59910-2SOC	P149FCT806ATQ	49FCT806ATQ
CY7B9910-5SC	CSP59910-5SOC	P149FCT806ATS	49FCT806ATSO
CY7B9910-5SI	CSP59910-5SOI	P149FCT806BTP	49FCT806BTP
CY7B9910-7SC	CSP59910-7SOC	P149FCT806BTQ	49FCT806BTQ
CY7B9910-7SI	CSP59910-7SOI	P149FCT806BTS	49FCT806BTSO
CY7B9920-2SC	CSP59920-2SOC	P149FCT806CTP	49FCT806CTP
CY7B9920-5SC	CSP59920-5SOC	P149FCT806CTQ	49FCT806CTQ
CY7B9920-5SI	CSP59920-5SOI	P149FCT806CTS	49FCT806CTSO
CY7B9920-7SC	CSP59920-7SOC	P149FCT3806Q	49FCT3806Q
CY7B9920-7SI	CSP59920-7SOI	P149FCT3806S	49FCT3806SO
Motorola	IDT	P149FCT3806AQ	49FCT3806AQ
MC88915TFN70	CSP88915TT-70J	P149FCT3806AS	49FCT3806ASO
MC88915TFN100	CSP88915TT-100J	P149FCT3807BP	74FCT3807P
MC88915TFN133	CSP88915TT-133J	P149FCT3807BQ	74FCT3807Q
MC88L915T	CSP388915T	P149FCT3807BS	74FCT3807SO
Pericom	IDT	P149FCT3807CP	74FCT3807P
P149FCT805TQ	49FCT805TQ	P149FCT3807CQ	74FCT3807AQ
P149FCT805TS	49FCT805TSO	P149FCT3807CS	74FCT3807ASO
P149FCT805ATQ	49FCT805ATQ	P149FCT807BTP	74FCT807BTP
P149FCT805ATS	49FCT805ATSO	P149FCT807BTQ	74FCT807BTQ
P149FCT805BTP	49FCT805BTP	P149FCT807BTS	74FCT807BTSO
P149FCT805BTQ	49FCT805BTQ	P149FCT807CTP	74FCT807CTP
P149FCT805BTS	49FCT805BTSO	P149FCT807CTQ	74FCT807CTQ
P149FCT805CTP	49FCT805CTP	P149FCT807CTS	74FCT807CTSO
P149FCT805CTQ	49FCT805CTQ	P2509B	CSP2509B
P149FCT805CTS	49FCT805CTSO	P2509C	CSP2509C
P149FCT2805TQ	49FCT52805TQ	P2510B	CSP2510B
P149FCT2805ATQ	49FCT52805ATQ	P2510C	CSP2510C
P149FCT2805ATS	49FCT52805ATSO	QSI	IDT
P149FCT2805BTQ	49FCT52805BTQ	QS52509APA	CSP2509BPG
P149FCT2805BTS	49FCT52805BTSO	QS52510APA	CSP2510BPG
		QS52510BPA	CSP2510BPG
		QS52805ATQ	49FCT2805ATQ
		QS52805BTQ	49FCT2805BTQ

Competitive Cross Reference

<i>QSI</i>	<i>IDT</i>
QS52805CTQ	49FCT2805CTQ
QS52805TQ	49FCT2805TQ
QS52805ATSO	49FCT2805ATSO
QS52805BTSO	49FCT2805BTSO
QS52805TSO	49FCT2805TSO
QS52805CTSO	49FCT2805CTSO
QS52806ATQ	49FCT2806ATQ
QS52806ATSO	49FCT2806ATSO
QS52806BTQ	49FCT2806BTQ
QS52806BTSO	49FCT2806BTSO
QS52806CTQ	49FCT2806CTQ
QS52806CTSO	49FCT2806CTSO
QS52806TQ	49FCT2806TQ
QS52806TSO	49FCT2806TSO
QS5807TQ	49FCT807TQ
QS52807ATQ	49FCT807ATQ
QS52807ATSO	49FCT807ATSO
QS52807BTQ	49FCT807BTQ
QS52807BTSO	49FCT807BTSO
QS52807CTQ	49FCT807CTQ
QS52807CTSO	49FCT807CTSO
QS52807TQ	49FCT807TQ
QS52807TSO	49FCT807TSO
QS532805AQ	49FCT32805AQ
QS532805ASO	49FCT32805ASO
QS532805BQ	49FCT32805BQ
QS532805CQ	49FCT32805CQ
QS532805Q	49FCT32805Q
QS532805SO	49FCT32805SO
QS53805AQ	49FCT3805AQ
QS53805BQ	49FCT3805BQ
QS53805CQ	49FCT3805CQ
QS53805Q	49FCT3805Q
QS53805QX	49FCT3805AQ
QS5805AQ	49FCT805BQ
QS5805ATHB	49FCT805BTH
QS5805ATQ	49FCT805BTQ
QS5805BQ	49FCT805CQ
QS5805BQ	49FCT805CQ
QS5805BTQ	49FCT805CTQ
QS5805CQ	49FCT805CQ

<i>QSI</i>	<i>IDT</i>
QS5805CSO	49FCT805CSO
QS5805CTQ	49FCT805CTQ
QS5805Q	49FCT805Q
QS5805TQ	49FCT805TQ
QS5805ASO	49FCT805ASO
QS5805ATSO	49FCT805BTSO
QS5805BTSO	49FCT805BTSO
QS5805CTSO	49FCT805CTSO
QS5805SO	49FCT805SO
QS5244TSO	CSP5244TSO
QS5244TQ	CSP5244TQ
QS5805TSO	49FCT805TSO
QS5820ATQ2	CSP5820ATQ2
QS5820BTQ2	CSP5820BTQ2
QS5806BTSO	49FCT806BTSO
QS5806CTQ	49FCT806CTQ
QS5806CTSO	49FCT806CTSO
QS5806TQ	49FCT806TQ
QS5806TSO	49FCT806TSO
QS5P807ATSO	CSPP807ATSO
QS5P807CTQ	CSPP807ATQCTQ
QS5P807TQ	CSPP807TQ
QS5P807TSO	CSPP807TSO
QS53807AQ	74FCT3807AQ
QS5919-100J	CSP88915T-100J
QS5919-133J	CSP88915-133J
QS5919-50J	CSP88915T-50J
QS5919-50Q	CSP88915T-50Q
QS5919-70J	CSP88915T-70J
QS5919-160J	CSP88915T-160J
QS5919T-100J	CSP88915TT-100J
QS5919T-133J	CSP88915TT-133J
QS5919T-70J	CSP88915TT-70J
QS5919-100Q	CSP88915T-100Q
QS5919-133Q	CSP88915T-133Q
QS5919-160Q	CSP88915T-160Q
QS5919-70Q	CSP88915T-70Q
QS5919T-100Q	CSP88915TT-100Q
QS5919T-133Q	CSP88915TT-133Q
QS5919T-133TQ	CSP88915TT-133Q
QS5919T-160TJ	CSP88915TT-160J
QS5919T-160TQ	CSP88915TT-160Q
QS5919T-160Q	CSP88915TT-160Q

Competitive Cross Reference

QSI	IDT
QS5919T-50TJ	CSP88915TT-50J
QS5919T-55TJ	CSP88915TT-55J
QS5919T-50TQ	CSP88915TT-50Q
QS5919T-70TJ	CSP88915TT-70J
QS5919T-70TQ	CSP88915TT-70Q
QS5919T-70Q	CSP88915TT-70Q
QS5919T-80Q	CSP88915TT-80Q
QS5LV919-133J	CSP388915T-133J
QS5LV919-160J	CSP388915T-160J
QS5LV919-70J	CSP388915T-70J
QS5LV919-100Q	CSP388915T-100Q
QS5LV919-133Q	CSP388915T-133Q
QS5LV919-133Q	CSP388915T-133Q
QS5LV919-160Q	CSP388915T-160Q
QS5LV919-160Q	CSP388915T-160Q
QS5LV919-55Q	CSP388915T-55Q
QS5LV919-70Q	CSP388915T-70Q
QS5LV919-50Q	CSP388915T-50Q
QS5LV919-66Q	CSP388915T-66Q
QS5920APA	CSP5920APA
QS5920PA	CSP5920PA
QS5920AQ	CSP5920AQ
QS5920Q	CSP5920Q
QS5925Q	CSP5925Q
QS5930-50TQ	CSP5930-50Q
QS5930-66TQ	CSP5930-66Q
QS5931-50Q	CSP5931-50Q
QS5931-66Q	CSP5931-66Q
QS5931-80Q	CSP5931-80Q
QS5931T-50Q	CSP5931T-50Q
QS5931T-66Q	CSP5931T-66Q
QS5931T-80Q	CSP5931T-80Q
QS5940Q	CSP5940Q
QS5LV931-66J	CSP5LV931-66J
QS5LV931-66Q	CSP5LV931-66Q
QS5LV931-66Q	CSP5LV931-66Q
QS5991-2JRC	CSP5991-2J
QS5991-5JRC	CSP5991-5J
QS5991-5JRI	CSP5991-5J
QS5991-7JRC	CSP5991-7J

QSI	IDT
QS5991-7JRI	CSP5991-7J
QS59910-2SOC	CSP59910-2SO
QS59910-5SOI	CSP59910-5SO
QS59910-7SOI	CSP59910-7SO
QS5992-2JRC	CSP5992-2J
QS5992-5JRI	CSP5992-5J
QS5992-7JRI	CSP5992-7J
QS59920-2SOC	CSP59920-2SO
QS59920-5SOI	CSP59920-5SO
QS59920-7SOI	CSP59920-7SO
QS5993-2QC	CSP5993-2Q
QS5993-5QI	CSP5993-5Q
QS5993-7QI	CSP5993-7Q
QS5LV919-133J	74FCT388915T-133J
QS5LV919-133Q	74FCT388915T-133Q
QS5V991-2JRC	CSP5V991-2J
QS5V991-5JRI	CSP5V991-5J
QS5V991-5JRI	CSP5V991-2J
QS5V991-7JRI	CSP5V991-7J
QS5V9910-2SOC	CSP5V9910-2SO
QS5V9910-5SOI	CSP5V9910-5SO
QS5V9910-7SOI	CSP5V9910-7SO
QS5V993-2QC	CSP5V993-2QC
QS5V993-5Q	CSP5V993-5Q
QS5V993-5QI	CSP5V993-5QI
QS5V993-7QI	CSP5V993-7QI
QS5810PY	CSP5810PY
QS5818PY	CSP5818PY
QS5910-77PY	CSP5910-77PY
QS5912-01PY	CSP5912-01
QS5912-02PY	CSP5912-02

SDRAM PLL'S

TI	Pericom Cypress/ICW	IDT
	CDC2509B	CSP2509BPG
	CDC2509C	CSP2509CPG
	CDC2509B	CSP2510BPG
	CDC2509C	CSP2510CPG
	CDCF2509	CSPF2509
	CDCF2510	CSPF2510

Clock Synthesis Product Package Dimensions

Package	Pin	Ordering Code	Pin-Pitch (mm)	Total Area (mm ²)	Length (mm)	Width Tip to Tip	Width (body)
HQSOP	20	H	0.635	55.1	8.9	6.2	4.1
PDIP	16	P	2.54	151.7	19.2	7.9	6.5
PDIP	20	P	2.54	207	26.2	7.9	6.6
PDIP	24	P	2.54	246.5	31.2	7.9	6.6
PLCC	28	J	1.27	155	12.45	12.45	11.5
PLCC	32	JR	1.27	186.6	12.45	14.99	13.97
QSOP	16	Q	0.635	29.4	4.9	6	3.9
QSOP	20	Q	0.635	52.2	8.7	6	3.9
QSOP	24	Q	0.635	52.2	8.7	6	3.9
QSOP	28	Q	0.635	59.4	9.9	6	3.9
QVSOP	40	Q2	0.5	62	10	6	3.9
SOIC	16	SO	1.27	107.1	10.4	10.3	7.5
SOIC	20	SO	1.27	131.8	12.8	10.3	7.5
SOIC	24	SO	1.27	158.6	15.4	10.3	7.5
SSOP	48	PV	0.635	163.8	15.9	10.3	7.5
TSSOP	20	PG	0.65	41.6	6.5	6.4	4.4
TSSOP	24	PG	0.65	49.9	7.8	6.4	4.4
SSOP	20	PY	0.07	56.2	7.2	7.8	5.3

DOMESTIC SALES REPRESENTATIVES

Dial 1-800-345-7015 to contact either your local sales office or corporate headquarters. Dial the 800 number above, then follow the instructions to be routed to the appropriate party.

ALABAMA

IDT
555 Sparkman Drive, Ste 1238
Huntsville, AL 35816

ALASKA

Thorson Pacific, Inc.
14575 Bel-Red Road, Ste. 102
Bellevue, WA 98007.

ARIZONA

Western High Tech Mktg.
7025 E. Greenway Pkwy
Suite 550
Scottsdale, AZ 85254.

ARKANSAS

IDT (S. Cen. Regional Office)
15851 Dallas Pkwy., Suite 1100
Dallas, TX 75248.

CALIFORNIA

IDT (Corporate Headquarters)
2975 Stender Way
Santa Clara, CA 95054

IDT (Western Headquarters)
2590 North 1st Street, Bldg A,
Suite 100
San Jose, CA 95131

IDT (SW Regional Office)
6 Jenner Drive, Suite 100
Irvine, CA 92618

IDT (SW Regional Office)
17609 Ventura Blvd., Suite 300
Encino, CA 91316.

Quest-Rep
6494 Weathers Pl., Suite 200
San Diego, CA 92121

CANADA (EASTERN)

Dynasty Components
1 Terrance Matthews Crescent
Kanata, Ontario
Canada K2M 2G3

CANADA (WESTERN)

Thorson Pacific, Inc.
4170 Still Creek Dr., Suite 200
Burnaby, British Columbia
Canada V5C 6C6.

COLORADO

IDT
5299 DTC Blvd., Ste 350
Englewood, CO 80111

Thorson Rocky Mountain
7108 S. Alton Way, Bldg D
Englewood, CO 80112

CONNECTICUT

SJ New England
15 Coventry Lane
Naugatuck, CT 06770

SJ New England
9 Tanglewood Drive
Branford, CT 06405

SJ New England
12 Gem Grove
Enfield, CT 06770

FLORIDA

IDT (SE Headquarters)
709 S. Harbor City Blvd.
Ste 250
Melbourne, FL 32901

IDT

2451 McMullen Booth Rd.
Suite 270
Clearwater, FL 34619

IDT

2930 University Drive, Suite 52
Coral Springs, FL 33065

GEORGIA

IDT
2451 McMullen Booth Rd.
Suite 270
Clearwater, FL 34619

HAWAII

IDT (Western Headquarters)
2590 North 1st St., Bldg A,
Suite 100
San Jose, CA 95131

IDAHO

Thorson Rocky Mountain
1937 E. Cypress Point Dr.
Eagle, ID 83616

ILLINOIS

IDT (Central Regional Office)
1375 E. Woodfield Rd., Ste 380
Schaumburg, IL 60173

TEQ Sales
820 Davis Road, Suite 304
Elgin, IL 60123

INDIANA

Arete Sales
2250 Lake Avenue, Suite 255
Ft. Wayne, IN 46805

IOWA

Rep Associates Corp.
3047 Center Point Rd. N.E. Suite D
Cedar Rapids, IA 52402

KANSAS

Rush & West Associates
333 E. Poplar Street
Olathe, KS 66061

KENTUCKY

KW/NCA Sales
21010 Center Ridge Road
Rocky River, OH 44116

LOUISIANA

IDT
(S. Cen. Regional Office)
15851 Dallas Pkwy., Suite 1100
Dallas, TX 75248

MAINE

IDT (NE Headquarters)
#2 Westboro Business Pk
200 Friberg Pkwy, Suite 4002
Westboro, MA 01581

MARYLAND

IDT (SE Regional Office)
Horn Point Harbor
105 Eastern Ave., Suite 201
Annapolis, MD 21403

MASSACHUSETTS

IDT (NE Headquarters)
#2 Westboro Business Pk
200 Friberg Pkwy, Suite 4002
Westboro, MA 01581

MICHIGAN

Bergin-Milan Group, Ltd.
33900 W. Eight Mile Rd.,
Suite 181
Farmington Hills, MI 48335

MINNESOTA

IDT (N. Cen. Regional Office)
1650 W. 82nd St., Suite 1040
Minneapolis, MN 55431

OHMS Technology Inc.
5780 Lincoln Drive, Suite 400
Edina, MN 55436

MISSISSIPPI

IDT
555 Sparkman Drive
Suite 1238
Huntsville, AL 35816

MISSOURI

Rush & West Associates
2170 Mason Road
St. Louis, MO 63131

MONTANA

Thorson Rocky Mountain
7108-D S. Alton Way, Suite A
Englewood, CO 80112

NEBRASKA

Rush & West Associates
333 E. Poplar Street
Olathe, KS 66061

NEVADA

Western High Tech Mktg.
7025 E. Greenway Pkwy
Suite 550
Scottsdale, AZ 85258

NEW HAMPSHIRE

IDT (NE Headquarters)
#2 Westboro Business Pk.
200 Friberg Pkwy, Suite 4002
Westboro, MA 01581

NEW JERSEY

IDT (SE Regional Office)
One Greentree Centre, Ste 202
Marlton, NJ 08053

SJ Mid-Atlantic, Inc.
131-D Gaither Drive
Mt. Laurel, NJ 08054

SJ Associates
53 North Park Ave., Ste. 300
Rockville Centre, NY 1157

NEW MEXICO

Western High Tech Mktg.
9414 E. San Salvador, Ste 102
Scottsdale, AZ 85258

NEW YORK

Quality Components
116 Fayette Street
Manlius, NY 13104

SJ Associates
53 North Park Ave., Ste. 300
Rockville Centre, NY 11570

NORTH CAROLINA

IDT
8000 Regency Pkwy, Ste. 535
Cary, NC 27511

Tingen Technical Sales
304A W. Millbrook Road
Raleigh, NC 27609

NORTH DAKOTA

OHMS Technology Inc.
5780 Lincoln Drive, Suite 400
Edina, MN 55436

OHIO

KW/NCA Sales (Eastern)
21010 Center Ridge Road
Rocky River, OH 44116

KW/NCA Sales (Northern)
3645 Warrensville Ctr. Road
Suite 244
Shaker Heights, OH 44122

KW/NCA Sales (Southern)
8514 Norht Main Street
Dayton, OH 45415

KW/NCA Sales (Western PA)
4068 Mt. Royal Blvd.
Allison Park, PA 15101

OKLAHOMA

IDT (S. Cen. Regional Office)
15851 Dallas Pkwy., Suite 1100
Dallas, TX 75244

OREGON

IDT (NW Regional Office)
15455 NW Greenbriar Pkwy, Suite 210
Beaverton, OR 97006

Thorson Pacific, Inc
9600 S.W. Oak St., Suite 320
Portland, OR 97223

PENNSYLVANIA (WESTERN)

Norm Case Associates
21010 Center Ridge Road
Rocky River, OH 44116

PENNSYLVANIA (EASTERN)

S-J Mid-Atlantic
131-D Gaither Drive
Mt. Laurel, NJ 08054

RHODE ISLAND

IDT (NE Headquarters)
#2 Westboro Business Pk.
200 Friberg Pkwy, Suite 4002
Westboro, MA 01581

SOUTH CAROLINA

Tingen Technical Sales
304A
W. Millbrook Road
Raleigh, NC 27609

SOUTH DAKOTA

OHMS Technology Inc.
5780 Lincoln Drive, Suite 400
Edina, MN 55436

TENNESSEE

IDT
555 Sparkman Dr., Suite 1238
Huntsville, AL 35816

TEXAS

IDT (S. Cen. Regional Office)
15851 Dallas Pkwy, Ste. 1100
Dallas, TX 75248

IDT

9430 Research Boulevard
Suite 400, Eschelon IV
Austin, TX 78759

UTAH

Thorson Rocky Mountain
5505 South 900 East, Suite 140
Salt Lake City, UT 84117

VERMONT

IDT (NE Headquarters)
#2 Westboro Business Pk.
200 Friberg Pkwy, Suite 4002
Westboro, MA 01581

DOMESTIC SALES REPRESENTATIVES Cont'd

VIRGINIA

IDT (SE Regional Office)
Horn Point Harbor
105 Eastern Avenue, Suite 201
Annapolis, MD 21403

S-J Chesapeake
803 West Broad Street Ste. 610
Falls Church, VA 22046

WASHINGTON

Thorson Pacific, Inc.
14575 Bel-Red Road, Suite 102
Bellevue, WA 98007.

WEST VIRGINIA

KW/NCA Sales (Western PA)
4068 Mt. Royal Blvd.
Allison Park, PA 15101.

WISCONSIN

TEQ Sales
20720 W. Watertown Rd.
Suite 201
Waukesha, WI 53186

WYOMING

Thorson Rocky Mountain
7108 S. Alton Way, Bldg D
Englewood, CO 80112

INTERNATIONAL SALES REPRESENTATIVES

AUSTRALIA

GEC Electronics Division
Rydalmere, NSW 2116, Australia
Tel.: 612-9638-1888.: 612-9638-1888

Avnet VSI Electronics Pty Ltd
North Ryde, NSW 113, Australia
Tel.: 612-9878-1299

AUSTRIA

Avnet E2000
Vienna, 1140, Austria
Tel.: 43-1911-2847.: 43-1911-2847

Metronik
Diefenbachgasse 35
Wien A-1150 Austria
Tel.: 43-1-89-15-20 : 43-1-89-15-20

BELGIUM

ACAL N.V.
Zaventem, B-1932, Belgium
Tel.: 32-27-20-5983

BRAZIL

Nishicom, Ltda.
Sao Paulo, SP, Brazil
Tel.: 55-11-524-3533

BULGARIA

Rapido Electronic Shop O.O.D.
Sofia, Bulgaria
Tel.: 359-2-832590

CROATIA

Lasi Elettronica
Milano, Italy
Tel.: 0039-2-66143

CZECH REPUBLIC

Avnet E2000 setron S.R.O.
Praha, Czech Republic
Tel.: 4202-86-11-42

DENMARK

Avnet - Nortec AS
Herlev, 2730, Denmark
Tel.: 45-4488-0800

Arrow - Denmark A/S
Herlev, 2730, Denmark
Tel.: 45-44-50-82-00

ESTONIA

Avnet Baltronics AS
Tallin EW-0026 Estonia
Tel.: 372-6397-000

FINLAND

IDT, AB
Innopoli Oy
Tekniikantie 12
Espoo, 02150, Finland
Tel.: 35-8943-543044

AVNET Nortec OY

Helsinki, 00210, Finland
Tel.: 35-8061-3181

Arrow Finland OY

Helsinki, 00580, Finland
Tel.: 358-9-476-660

FRANCE

IDT, Srl
(So. Europe Reg. Office)
18 Rue Saarinen Bat
Dublin, Sillic 215
Rungis, Cedex, 94518 France
Tel.: 33-1-41-80-85-00.

AVNET EMG
Bagnols en Foret, France
Tel.: 33-4-94-40-31-11

Avnet EMG
CESSON-SEVIGNE
Cedex, France
Tel.: 33-2-99-83-77-10

Avnet EMG
CHATILLON
Cedex, France
Tel.: 33-1-49-65-27-50

Avnet EMG
LABEGE
Cedex, France
Tel.: 33-5-61-00-73-10

Avnet EMG
MEYLAN, France
Tel.: 33-4-76-90-11-88

Avnet EMG
OBERHAUSBERGEN, France
Tel.: 33-3-88-56-01-03

Avnet EMG
SAINT ETIENNE, France
Tel.: 33-4-77-92-77-66

Avnet EMG
SAINT HERBLAIN, France
Tel.: 33-2-40-16-98-50

Avnet EMG
VENISSIEUX, France
Tel.: 3 3-4-78-00-12-80

Avnet EMG
VILLANAVE D'ORNON, France
Tel.: 33-5-56-87-83-33

A2M
VERNET SEVRES
Cedex, France
Tel.: 33-1-46-23-79-00

CCI
Lyon 69007, France
Tel.: 33-4-72-78-13-00

CCI

CESSON SEVIGNE, France
Tel.: 33-2-99-86-03-71

CCI

BLAGNAC, France
Tel.: 33-5-61-30-01-58

CCI

Rungis Cedex, France
Tel.: 33-1-41-80-70-00

Compress

Rungis Cedex, France
Tel.: 33-1-41-80-29-00

GERMANY

IDT, GmbH
(Cen. Europe Reg. Office)
Max-Planck-Strasse 17
Unterschleissheim, Germany
Tel.: 49-8937-448-0

IDT, GmbH
Hermannstrasse 49
33813 Oerlinghausen, Germany
Tel.: 49-5202-2766.

IDT, GmbH
c/o Kornblumenstrasse 6
74232 Abstatt, Germany
Tel.: 49-7062-90620

Avnet E2000
Braunschweig, Germany
Tel.: 49-531-22073-0

Avnet Setron
Braunschweig, Germany
Tel.: 49-531-80980

Avnet E2000
Berlin, Germany
Tel.: 49-30-214882-0

Avnet E2000
Erkrath, Germany
Tel.: 49-211-92003-0

Avnet E2000
Frankfurt, Germany
Tel.: 49-69-973804-0

Avnet E2000
Gerlingen, Germany
Tel.: 49-7156-356-0;

Avnet E2000
Hamburg, Germany
Tel.: 49-40-696952-0

Avnet E2000
Munche, Germany
Tel.: 49-89-45110-01

Avnet E2000
Nurnberg, Germany
Tel.: 49-911-93149-0

Metronik

Dortmund, Germany
Tel.: 0231-927110-45

Metronik

Dossenheim, Germany
Tel.: 06221-87044

Metronik

Glienicke, Germany
Tel.: 033056-625-0

Metronik

Leipzig, Germany
Tel.: 0341-42400-29

Metronik

Nurnberg, Germany
Tel.: 0911-338802

Metronik

Quickborn, Germany
Tel.: 04106-773050

Metronik

Stuttgart, Germany
Tel.: 0711-764033

Metronik

Unterhaching, Germany
Tel.: 089-61108-141

Metronik

Wiesbaden, Germany
Tel.: 0611-97384-0

Scantec GmbH

Planegg, Germany
Tel.: 49-89-899143-0

Scantec GmbH

Ruckersdorf, Germany
Tel.: 49-9115-7952

Topas Electronic GmbH

Hannover, Germany
Tel.: 49-511-968640

Topas Electronic GmbH

Quickborn, Germany
Tel.: 49-4106-773391

GREECE

Peter Caritato & Assoc. S.A.
Athens, Greece
Tel.: 30-1-9020115

HONG KONG

IDT ASIA LTD.
33 Canton Road
Tower 6, Unit 1003
China Hong Kong City
Tsimshatsui, Hong Kong
Tel.: 852-2736-0122

Lestina International Ltd.

Tsimshatsui, Kowloon,
Hong Kong
Tel.: 852-2735-1736

INTERNATIONAL SALES REPRESENTATIVES Cont'd

WPI International
 Hunghom, Kowloon, Hong Kong
 Tel.: 852-2365-4860

HUNGARY

Avnet Setron Elektronik Kft.
 Budapest, Hungary
 Tel.: 36-1-250-46-18

INDIA

Techno Trends International
 San José, CA
 Tel.: (408) 229-0920

Sritech Information Technology, Inc
 Javanagar, Bangalore
 Tel.: 9180-664-0386

ISRAEL

IDT - Israel
 Derech Petah - Tikva 48
 Tel Aviv
 66184 Israel
 Tel.: 972-3-6956868

NISKO Projects
 Tel Aviv Israel
 Tel.: 972-3-7657300

Imagine (USA) Inc.
 Norcross, GA
 Tel.: 770-921-5433

ITALY

IDT Srl
 Central Direzionale Colleoni
 Palazzo Astrolabio
 Via Cardano 2
 20041 Agrate Brianza,
 Milan, Italy
 Tel.: 39-39-6899987

Avnet EMG
 Firenze, Italy
 Tel.: 39-5543-60392

Avnet EMG
 Milano, Italy
 Tel.: 0039-2-38190

Avnet EMG
 Modena, Italy
 Tel.: 39-5934-2322

Avnet EMG
 Napoli, Italy
 Tel.: 39-8155-91477

Avnet EMG
 Roma, Italy
 Tel.: 39-6413-1151

Avnet EMG
 Torino, Italy
 Tel.: 39-1131-12348

Avnet EMG
 Treviso, Italy
 Tel.: 39-4237-22675

Lasi Electronica
 Bologna, Italy
 Tel.: 39-5153-8500

Lasi Electronica
 Torino, Italy
 Tel.: 39-1177-10831

Lasi Electronica
 Roma, Italy
 Tel.: 39-6935-55

Lasi Electronica
 Milano, Italy
 Tel.: 0039-2-66143

Lasi Electronica
 Macerata, Italy
 Tel.: 39-7337-70798

Lasi Electronica
 Firenze, Italy
 Tel.: 39-5543-77832

JAPAN

IDT-Nippon-KK
 (Japan Headquarters)
 Sumitomo Fudosan
 Sanbacho Bldg.
 6-26 Sanbacho
 Chiyoda-Ku
 Tokyo 102, Japan
 Tel.: 813-3221-9821

Dia Semicon Systems, Inc.
 Kanagawa, Japan
 Tel.: 045-476-7410

Tachibana Tectron Co. Ltd
 Tokyo, Japan
 Tel.: 03-3719-2261

Teksel
 Tokyo, Japan
 Tel.: 03-5467-9000

Tokyo Electron
 Tokyo, Japan
 Tel.: 03-5561-7217

KOREA

IDT-KOR-SAMP
 6th Floor, Yeondang Building
 144-23 Samsung-Dong
 KangNam-Ku
 Seoul, Korea
 Tel.: 822-567-1903

Uniquet Korea Corp.
 Seoul, Korea
 Tel.: 822-562-8805

Uniquet Corporation
 San José, CA
 Tel.: 408-432-8805/6

MALAYSIA

IDT, SdnBhd
 Bayan Lepas Free Trade Zone,
 Phase 3
 11900 Bayan Lepas
 Penang, Malaysia
 Tel.: 604-83210

WPI International (s) Pte Ltd
 Penang, Malaysia
 Tel.: 604-642-9500

NETHERLANDS

IDT
 Bruistensingel 104
 's-Hertogenbosch
 5232 The Netherlands
 Tel.: 31-73-6408369

ACAL Auriema
 Eindhoven, Netherlands
 Tel.: 31-40-2502602

NEW ZEALAND

GEC Electronics Division
 Auckland, New Zealand
 Tel.: 649-526-0107

NORWAY

Avnet Norway
 Oslo, Norway
 Tel.: 47-22046460

Avnet Nortec A/S
 Nesbru, Norway
 Tel.: 47-66773600

PHILLIPINES

IDT
 Carmelray Industrial Park
 Cantubang, Calamba,
 Laguna 4028 Phillipines
 Tel.: 632-845-1083

POLAND

Avnet E2000 stron Sp.z.o.o.
 Warsaw, Poland
 Tel.: 48-22-634-47-36

PORTUGAL

Amitron Arrow SA
 Alfragide, Portugal
 Tel.: 35-1-1471-4806

ROMANIA

Lasi Elettronica
 Milano, Italy
 Tel.: 0039-2-66143

RUSSIA

SAIT, Ltd
 Moscow, Russia
 Tel.: 7-095-532-3266

SINGAPORE

IDT
 230 Victoris Street
 #04-03 Bugis Junction Towers,
 188024 Singapore
 Tel.: 65-334-0488

WPI International (S) Pte Ltd
 Singapore
 Tel.: 65-282-5188

SLOVENIA

Lasi Elettronica
 Milano, Italy
 Tel.: 0039-2-66143

SOUTH AFRICA

Electrocomp
 Johannesburg, South Africa

SPAIN

Amitron Arrow S.A.
 Madrid, Spain
 Tel.: 34-91-304-3040

Amitron Arrow SA
 Barcelona, Spain
 Tel.: 34-93-490-7494

SWEDEN

IDT (IDT AB)
 Veddestavagen 13
 17562 Jarfalla, Sweden
 Tel.: 46-8761-1130

Avnet Nortec AB
 Moelndal, Sweden
 Tel.: 46-3120-2056

Avnet Nortec AB
 Solna, Sweden
 Tel.: 45-8-6291400

Avnet Nortec AB
 Kista, Sweden
 Tel.: 46-8-56265700

SWITZERLAND

Avnet E2000, GmbH
 Thalwil, Switzerland
 Tel.: 41-1-722-1330

TAIWAN

IDT, Asia LTD
 10F-1, 508, Sec 5
 Chung-Hsaio E Road
 Taipei Taiwan, ROC
 Tel.: 886-2-272-67255
EDOM Technology Co., Ltd.
 Taipei, Taiwan ROC
 Tel.: 886-2-27912662

Johnson Trading & Engineering Co.
 Taipei, Taiwan ROC
 Tel.: 886-22-9998281.

WPI Industrial Co., Ltd.
 Taipei, Taiwan, ROC
 Tel.: 886-2-27885200

THAILAND

WPI Electronics Co., Ltd.
 Huaykwang, Thailand
 Tel.: 662-318-0957

TURKEY

Lasi Elettronica
 Milano, Italy
 Tel.: 0039-2-66143

UNITED KINGDOM

IDT (European Headquarters/No. Europe Reg. Office)
 Prime House
 Barnett Wood Lane
 Leatherhead, Surrey
 UK KT227DG
 Tel.: 44-1372-363-339

MicroCall, Ltd.
 Aylesbury, Bucks, UK
 Tel.: 44-1296-330061

M.M.d. Ltd
 Reading, Berks, UK
 Tel.: 44-1789-9633700

Avnet Access, Ltd.
 Stevenage, UK
 Tel.: 44-14638-788500

Yugoslavia

Lasi Elettronica
 Milano, Italy
 Tel.: 0039-2-66143

AUTHORIZED DISTRIBUTORS – U.S. AND CANADA (Contact your local office)

Avnet

State	City	Phone
AL	Huntsville	205-837-8700
AZ	Phoenix	602-736-7000
BC	Burnaby	604-420-4101
CA	Woodland Hills	818-594-0404
CA	San Diego	619-571-7540
CA	San Jose	408-435-3635
CA	Irvine	714-789-4150
CA	Rocklin	916-632-4500
CO	Englewood	303-790-1662
CO	Colorado Springs	719-637-0055
CT	Cheshire	203-271-5700
FL	FT. Lauderdale	954-484-5482
FL	Clearwater	813-507-5000
FL	Winter Park	407-657-3300
GA	Duluth	770-623-4400
IL	Arlington Heights	847-797-7300
IN	Carmel	317-575-3500
KS	Overland Park	913-663-7900
KY	Lexington	606-288-4912
MA	Peabody	978-532-3701
MD	Columbia	410-720-3400
MI	Plymouth	734-416-5800
MN	Bloomington	612-881-2600
MO	Earth City	314-770-6300
NC	Raleigh	919-859-9159
NJ	Mt. Laurel	609-222-6400
NJ	Parsippany	973-515-1641
NM	Albuquerque	505-293-5119
NY	Hauppauge	516-434-7400
NY	Rochester	716-475-9130
OH	Solon	440-498-1100
OH	Worthington	614-888-3313
OK	Tulsa	918-459-6000
ONT	Mississauga	905-812-4400
ONT	Nepean	613-226-1700
OR	Beaverton	503-526-6200
QBC	Ville St. Laurent	514-335-1000
TX	Houston	713-781-6100
TX	Dallas	214-553-4300
TX	Austin	512-219-3700
UT	Salt Lake City	801-395-3800
WA	Redmond	425-882-7000
WI	Pewaukee	414-513-1500

<http://www.avnet.com>

Insight

State	City	Phone
AL	Daphne	334-626-6190
AL	Huntsville	256-830-1222
AZ	Tempe	602-829-1800
CA	Irvine	949-727-3291
CA	Irvine	949-788-3592
CA	San Diego	619-677-3135
CA	San Diego	619-450-8800
CA	San Diego	619-677-3100
CA	San Jose	408-952-7000
CA	San Diego	619-450-8800
CA	Westlake Village	818-707-2101
CO	Englewood	303-649-1800
CT	Cheshire	203-272-5843
FL	Altamonte Spgs	407-834-6310
FL	Boca Raton	561-997-2540
FL	Clearwater	727-524-8850
GA	Duluth	678-584-0812
IL	Schaumburg	847-885-9700
IN	Ft Wayne	219-436-4250
KS	Lenexa	913-492-0408
MA	Burlington	781-270-9400
MD	Columbia	410-381-3131
MI	Brighton	810-229-7710
MN	St. Louis Park	612-525-9999
MO	St. Louis	314-722-2182
NC	Raleigh	919-873-9922
NJ	Mt. Laurel	609-222-9566
NJ	Parsippany	973-299-4425
NY	Hauppauge	516-761-0960
NY	Rochester	716-242-7790
OH	Dayton	937-253-7501
OH	Valley View	216-520-4333
OK	Tulsa	918-665-4664
OR	Beaverton	503-644-3300
PA	Mercer	412-662-2707
TX	Austin	512-719-3090
TX	Richardson	972-783-0800
TX	Stafford	281-277-8200
UT	Salt Lake City	801-288-9001
WA	Kirkland	425-820-8100
WI	Wauwatosa	414-258-5338
	Corporate Hdqrs.	800-677-6011
	Canada	800-204-0010
	Mexico	525-488-0119

<http://www.insight-electronics.com>

Wyle

State	City	Phone
AL	Huntsville	256-830-1119
AZ	Phoenix	602-804-7000
CA	Irvine	949-789-9953
CA	Los Angeles	818-880-9000
CA	Sacramento	916-783-9953
CA	San Diego	619-558-6600
CA	Santa Clara	408-727-2500
CA	Sacramento	916-783-9953
CO	Denver	303-457-9953
CT	Wallingford	203-259-8077
FL	Ft. Lauderdale	954-420-0500
FL	Orlando	407-740-7450
FL	Tampa	813-533-0445
GA	Atlanta	770-441-9045
IL	Chicago	630-620-0969
MA	Boston	727-271-9953
MD	Baltimore	410-312-4844
MN	Minneapolis	612-853-2280
NC	Raleigh	919-469-1502
NJ	Pine Brook	973-882-8358
NV	Las Vegas	702-765-7117
NY	Long Island	516-231-7850
NY	Rochester	716-334-5970
OH	Cleveland	440-248-9996
OH	Dayton	937-436-9953
OR	Proland,	503-598-9953
PA	Philadelphia	609-439-9110
TX	Austin	512-833-9953
TX	Dallas	972-235-9953
TX	Houston	713-784-9953
UT	Drape	801-523-2335
UT	Salt Lake City	801-974-9953
WA	Seattle	425-881-1150
WI	Milwaukee	414-879-0434
	Washington, DC	410-312-4844
	Corporate Sales	800-318-9953

<http://www.wyle.com>

IDT and the IDT logo is a registered trademark of Integrated Device Technology, Inc. DualSync, SyncFIFO, and SuperSync are trademarks of IDT.



Corporate Headquarters

2975 Stender Way
Santa Clara, CA 95054

for Sales:

800-345-7015 or
408-727-6116
Fax: 408-492-8674
www.idt.com*

for Tech Support:

Logichelp@idt.com
408-953-2523

* To search for a sales office near you, please click the sales button found on our home page or dial the 800# above and press 2.

