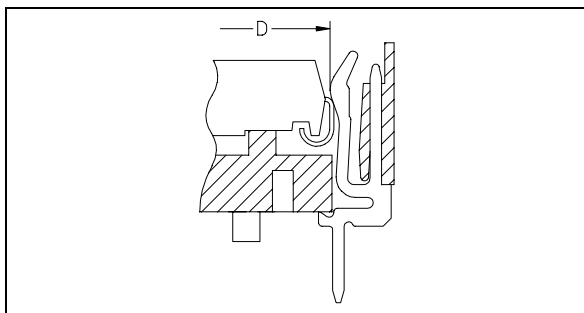
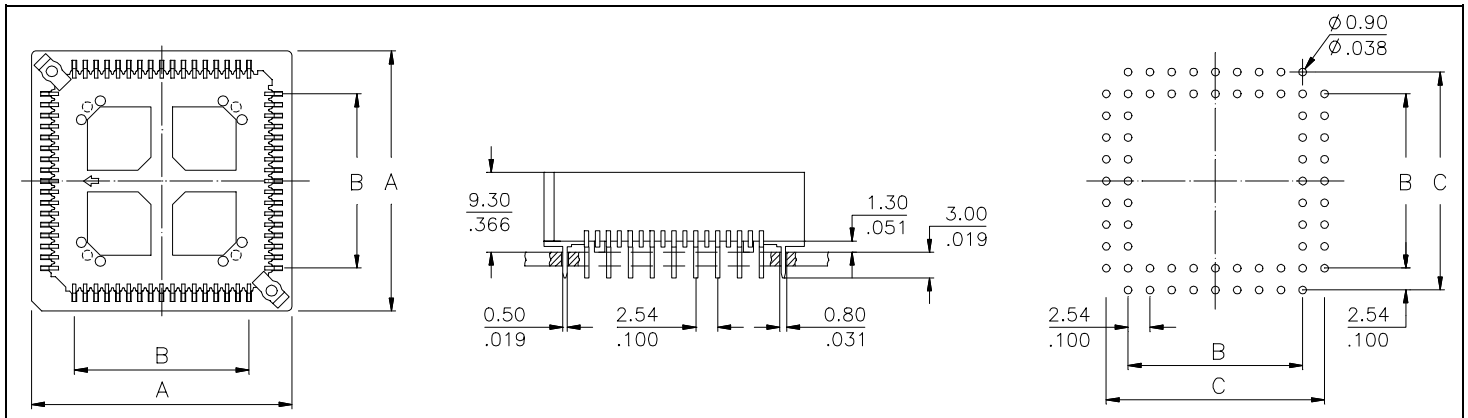
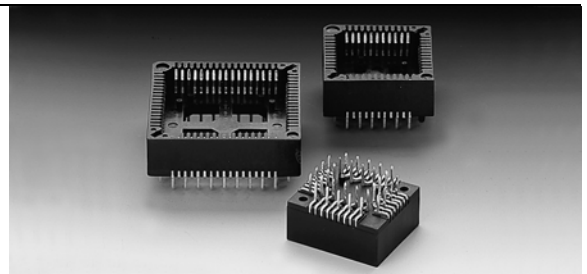
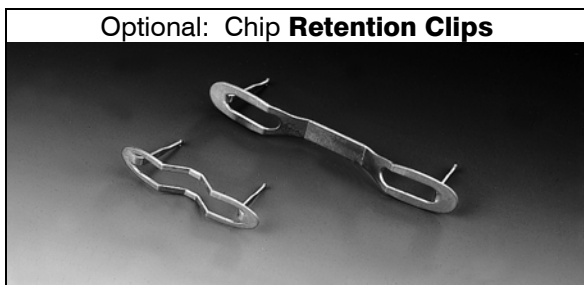


E-tec „hi-rel“ soldertail PLCC sockets correspond to JEDEC Norms. Precision stamped contact design provides special „push-down effect“ onto the leads of the chip.

Optional retention clips for very high shock and vibration applications. Optional chip protection covers & solder stop pads are available. Inside polarisation corner prevents wrong insertion of the chips. Stand-off's under the base prevent solder shorts. Chips can be easily removed with the Universal extraction tool PUL - 100.



JEDEC Specification for Plastic Leaded Chip Carrier					
Jedec Nbr	Nbr of Pins	Dimensions mm/inch			
		"A" min.	"A" max.	„B“ min.	„B“ max.
MO-047 AB	28	12,32 / .485	12,57 / .495	1,37 / .054	2,36 / .093
MO-052 AE	32 rectang.	14,86 x 12,32 .585 x .485	15,11 x 12,57 .595 x .495	1,37 / .054	2,36 / .093
MO-047 AB	44	17,40 / .685	17,65 / .695	1,37 / .054	2,36 / .093
MO-047 AB	52	19,94 / .785	20,19 / .795	1,37 / .054	2,36 / .093
MO-047 AB	68	25,02 / .985	25,27 / .995	1,37 / .054	2,36 / .093
MO-047 AB	84	30,10 / 1.185	30,35 / 1.195	1,37 / .054	2,36 / .093



Specifications			
Mechanical data		Temperature	Electrical data
Plating	SnPb over Ni; Au on request	Operating temp.	- 65° to +150 °C
Mating cycles	min. 50	Material	
Insertion force	max. 1,30N per contact	Insulator	PBT UL 94 V-O
Extraction force	min. 0,90N per contact	Contact	Phosphor Bronze
		Retention Clip	Spring steel
			Operating voltage 100 V RMS / 150V DC
			Breakdown voltage > 600 V RMS
			Contact resistance < 20 mΩ
			Insulation resistance > 5000 MΩ
			Current rating 1 A max., 100V
			Capacitance < 2 pF

PIN	Ordering Code			Dimensions mm/inch			
	tin plated	gold plated	add if with solder stop	"A"	"B"	"C"	"D"
28	PLP - 028 - N110 - 00	- 22	/AP	17,60/.693	7,62/.300	12,70/.500	11,50/.453
32	PLP - 032 - N110 - 00 (rectangular)	- 22	/AP	17,60 x 20,14 .693 x .793	10,16 x 7,62 .400 x .300	12,70 x 15,24 .500 x .600	11,50 x 14,04 .453 x .553
44	PLP - 044 - N110 - 00	- 22	/AP	22,68/.893	12,70/.500	17,78/.700	16,58/.653
52	PLP - 052 - N110 - 00	- 22	/AP	25,22/.993	15,24/.600	20,32/.800	19,12/.753
68	PLP - 068 - N110 - 00	- 22	/AP	30,30/1.193	20,32/.800	25,40/1.000	24,20/.953
84	PLP - 084 - N110 - 00	- 22	/AP	35,38/1.393	25,40/1.000	30,48/1.200	29,28/1.153

Order Code for optional **Retention Clip : HCP - xxx** (replace "xxx" with nbr of pins. Example. -028 if for 28-pin Socket)

PUL - 100 Universal extraction tool for all socket sizes