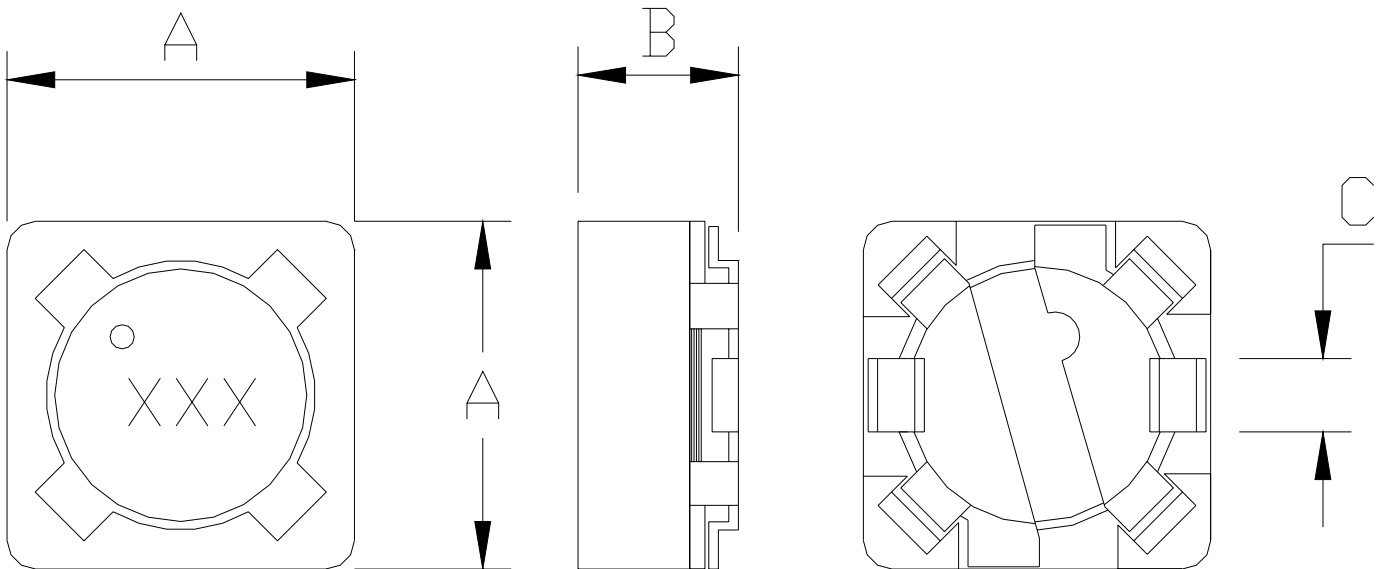


# SPECIFICATION FOR APPROVAL

<b>CUSTOMER</b>	: IC-1	<b>PAGE:</b>	2
<b>PART NO.</b>	: _____	<b>REVISION:</b>	A1
<b>DRAWN NO.</b>	: IC-2	<b>DATE:</b>	IC-3
<b>DESCRIPTION</b>	: PCRH0745-SERIES		

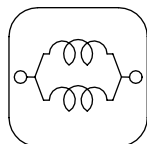
## 1. SHAPE & DIMENSION



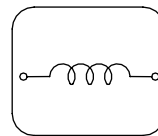
(UNIT:m/m)

SYMBOL	A	B	C				
DIMENSIONS	7.3±0.2	4.5 Max.	2.0±0.1				

## 2. ELECTRICAL SCHEMATICS



10uH~47uH



56uH~1000uH



STAR ELECTRONIC CO., LTD.

# SPECIFICATION FOR APPROVAL

<b>CUSTOMER</b>	: IC-1	<b>PAGE:</b>	3
<b>PART NO.</b>	: _____	<b>REVISION:</b>	A1
<b>DRAWN NO.</b>	: IC-2	<b>DATE:</b>	IC-3
<b>DESCRIPTION</b>	: PCRH0745-SERIES		

## 3.PCRH0745-SERIES SPECIFICATION LIST

NO.	STAR PART NO.	L ( $\mu$ H)	STAMP	TEST FREQ. (MHz)	DCR ( $\Omega$ ) MAX.	IDC (A) MAX.
1	PCRH0745-100	10	100	1KHz/0.25V	49m	1.84
2	PCRH0745-120	12	120	1KHz/0.25V	59m	1.71
3	PCRH0745-150	15	150	1KHz/0.25V	81m	1.47
4	PCRH0745-180	18	180	1KHz/0.25V	91m	1.31
5	PCRH0745-220	22	220	1KHz/0.25V	0.11	1.23
6	PCRH0745-270	27	270	1KHz/0.25V	0.15	1.12
7	PCRH0745-330	33	330	1KHz/0.25V	0.17	0.96
8	PCRH0745-390	39	390	1KHz/0.25V	0.23	0.91
9	PCRH0745-470	47	470	1KHz/0.25V	0.26	0.88
10	PCRH0745-560	56	560	1KHz/0.25V	0.35	0.75
11	PCRH0745-680	68	680	1KHz/0.25V	0.38	0.69
12	PCRH0745-820	82	820	1KHz/0.25V	0.43	0.61
13	PCRH0745-101	100	101	1KHz/0.25V	0.61	0.60
14	PCRH0745-121	120	121	1KHz/0.25V	0.66	0.52
15	PCRH0745-151	150	151	1KHz/0.25V	0.88	0.46
16	PCRH0745-181	180	181	1KHz/0.25V	0.98	0.42
17	PCRH0745-221	220	221	1KHz/0.25V	1.17	0.36
18	PCRH0745-271	270	271	1KHz/0.25V	1.64	0.34
19	PCRH0745-331	330	331	1KHz/0.25V	1.86	0.32
20	PCRH0745-391	390	391	1KHz/0.25V	2.85	0.29
21	PCRH0745-471	470	471	1KHz/0.25V	3.01	0.26
22	PCRH0745-561	560	561	1KHz/0.25V	3.62	0.23
23	PCRH0745-681	680	681	1KHz/0.25V	4.63	0.22
24	PCRH0745-821	820	821	1KHz/0.25V	5.20	0.20
25	PCRH0745-102	1000	102	1KHz/0.25V	6.00	0.18

※ K=10% M=20%

## 4.TEST INSTRUMENTS

4-1.L : Zentech 1075 or Zentech 3305 or EQU.

4-2.DCR : Zentech 3305、Zentech 301A or EQU.

4-3.IDC : Zentech 3305 & Zentech 2920 or EQU.

※ IDC1 : BASED ON INDUCTANCE CHANGE (  $|\Delta L/L_0| \leq 10\%$  )

$$\Delta L = L_{(IDC)} - L_{0A}$$

IDC2 : BASED ON TEMPERATURE (  $\Delta T : 40^\circ\text{C}$  )



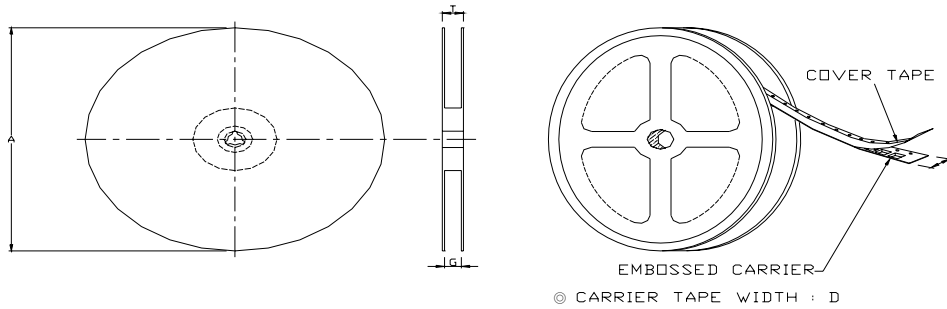
STAR ELECTRONIC CO., LTD.

# SPECIFICATION FOR APPROVAL

<b>CUSTOMER</b>	IC-1	<b>PAGE</b>	7
<b>PART NO.</b>		<b>REVISION</b>	A1
<b>DRAWN NO.</b>	IC-2	<b>DATE</b>	IC-3
<b>DESCRIPTION</b>	PCRH0745-SERIES		

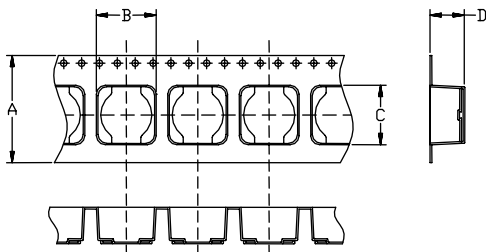
◎ **PACKAGING INFORMATION**

**(1) CONFIGURATION**



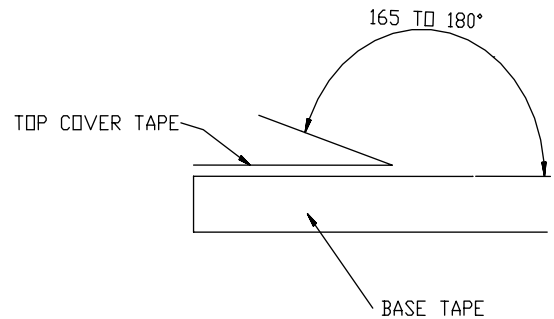
SYMBOL		A	D	T	G
DIM.	PCRH 124.125.127	331	24	25	28.5
	PCRH 0745.0732	331	16	17	20.5

**(2) TAPE DIMENSIONS : (m/m)**



SYMBOL		A	B	C	D
DIM.	124 · 125	24	14.5	14.5	6.5
	127	24	14.5	14.5	8.5
	0732	16	9	9	3.5
	0745	16	10	10	5.0

**(3) STRENGTH OF COVER TAPE**



◎ THE FORCE FOR TEARING OFF COVER TAPE IS 10 TO 130 GRAMS IN ARROW DIRECTION.

**(4) PACKAGING STYLE AND QUANTITIES :**

Packaging style	Type	Quantity
<b>Taping</b>	PCRH0630 · 0732 · 0745	1000 pieces / reel
	PCRH124 · 125 · 127	500 pieces / reel



STAR ELECTRONIC CO., LTD.