

P54/74FCT480/A/B (P54/74PCT480/A/B) P54/74FCT481/A/B (P54/74PCT481/A/B) DUAL ODD-PARITY, DUAL EVEN-PARITY GENERATOR/CHECKERS

FEATURES

- Function, Pinout and Drive Compatible with the FCT and F Logic
- FCT-A speed at 7.5ns max. (Com'I)
FCT-B speed at 5.6ns max. (Com'I)
- CMOS V_{OH} Levels for Low Power Consution
—Typically 1/3 of Fast Bipolar Logic
- Edge-rate Control Circuitry for Significantly Improved Noise Characteristics
- ESD protection exceeds 2000V
- 64 mA Sink Current (Com'I), 32 mA (Mil)
15 mA Source Current (Com'I), 12 mA (Mil)
- Two 8-Bit Parity Generator/Checkers Per Device
- Open Drain Low-Active Parity Error Output
- Expandable For Larger Word Widths
- Manufactured in 0.7 micron PACE Technology™

DESCRIPTION

The 'FCT480 and 'FCT481 are high speed dual 8-bit parity generator/checkers. Each parity generator/checker accepts eight data bits and one parity bit as inputs, and generates a parity and a parity error output. The 'FCT480 generates and checks odd parity, while the 'FCT481 generates and checks even parity. In the CHECK mode, the parity output for each generator in the 'FCT480 ('FCT481) is low whenever an odd (even) number of inputs is high; the common parity error output in the 'FCT480 or the 'FCT481 is low, indicating an error, if either of the generated parity outputs is high. In the GENERATE mode, the two input parity bits are disabled and each device functions as in the CHECK mode.

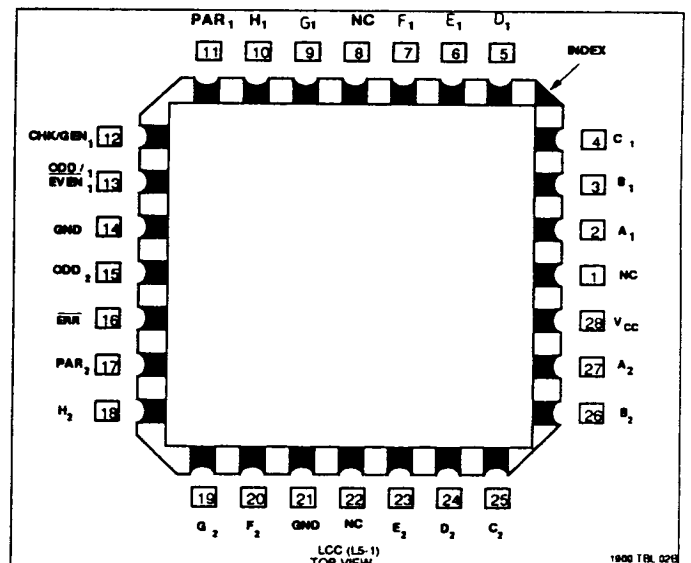
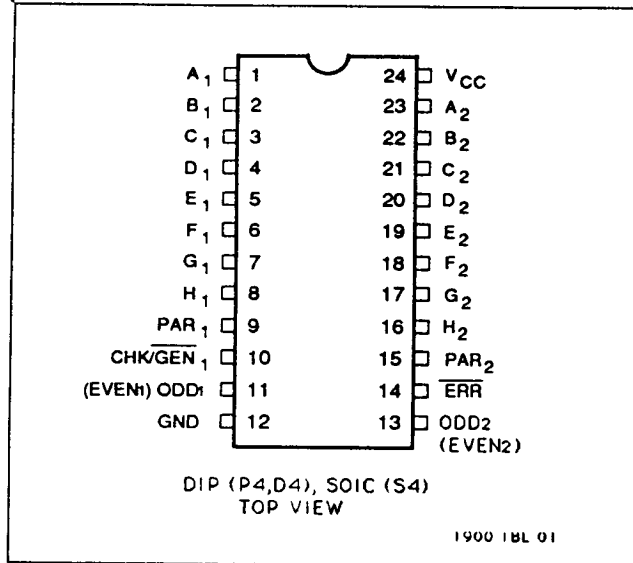
The parity error output is open-drain, designed for easy

expansion of the word width by a simple wired-OR connection of several 'FCT480 and 'FCT481 type devices. Since additional logic is not needed, the parity generation and checking times remain the same as for each 'FCT480 device.

The 'FCT480 and 'FCT481 are manufactured using PACE Technology™ which is Performance Advanced CMOS Engineered to use 0.7 micron effective channel lengths giving 400 picoseconds loaded* internal gate delays.

The 'FCT480 and 'FCT481 are available in 24-pin 300 mil DIP and SOIC packages providing excellent board level densities.

*For a fan-in/fan-out of 4, at 85°C junction temperature and 5.0V.

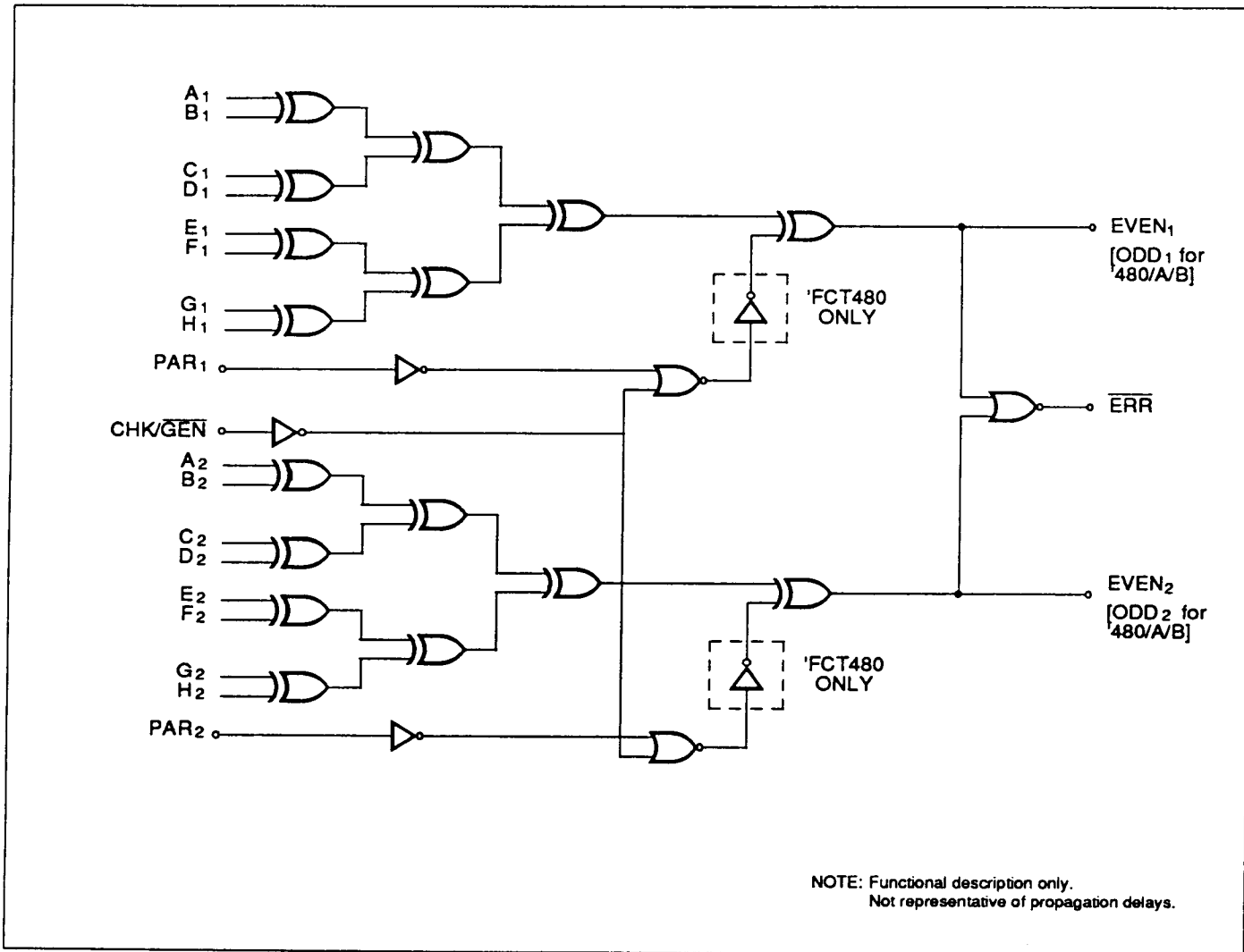


Means Quality, Service and Speed

©1992 Performance Semiconductor Corporation

6/1/92-4

FUNCTIONAL BLOCK DIAGRAM



ABSOLUTE MAXIMUM RATINGS^{1,2}

Symbol	Parameter	Value	Unit
T _{STG}	Storage Temperature	-65 to +150	°C
T _A	Ambient Temperature Under Bias	-65 to +135	°C
V _{CC}	V _{CC} Potential to Ground	-0.5 to +7.0	V
P _T	Power Dissipation	0.5	W

Notes:

1900 Tbl 01

1. Operation beyond the limits set forth in the above table may impair the useful life of the device. Unless otherwise noted, these limits are over the operating free-air temperature range.

Symbol	Parameter	Value	Unit
I _{OUTPUT}	Current Applied to Output	120	mA
V _{IN}	Input Voltage	-0.5 to +7.0	V
V _{OUT}	Voltage Applied to Output	-0.5 to +7.0	V

1900 Tbl 02

2. Unused inputs must always be connected to an appropriate logic voltage level, preferably either V_{CC} or ground.

RECOMMENDED OPERATING CONDITIONS³

Free Air Ambient Temperature	Min	Max
Military	-55°C	+125°C
Commercial	0°C	+70°C

Notes:

1900 Tbl 03

3. Unless otherwise restricted or extended by detail specifications.

Supply Voltage (V _{CC})	Min	Max
Military	+4.5V	+5.5V
Commercial	+4.75V	+5.25V

1900 Tbl 04

DC ELECTRICAL CHARACTERISTICS (Over recommended operating conditions)

Symbol	Parameter		Min	Typ ¹	Max	Units	V _{CC}	Conditions
V _{IH}	Input HIGH Voltage		2.0			V		
V _{IL}	Input LOW Voltage				0.8	V		
V _H	Hysteresis			0.2		V		All inputs
V _{IK}	Input Clamp Diode Voltage			-0.7	-1.2	V	MIN	I _{IN} = -18mA
V _{OH}	Output HIGH Voltage	V _{CC} = 3V, V _{IN} = 0.2V, or V _{CC} - 0.2V	V _{CC} - 0.2			V		I _{OH} = -32μA
		Military/Commercial (CMOS)	V _{CC} - 0.2	V _{CC}		V	MIN	I _{OH} = -300μA
		Military (TTL)	2.4	4.3		V	MIN	I _{OH} = -12mA
		Commercial (TTL)	2.7	4.3		V	MIN	I _{OH} = -15mA
		V _{CC} = 3V, V _{IN} = 0.2V, or V _{CC} - 0.2V	V _{CC} - 0.2			V		I _{OH} = -300μA
V _{OL}	Output LOW Voltage	Military		0.3	0.5	V	MIN	I _{OL} = 32mA
		Commercial		0.3	0.5	V	MIN	I _{OL} = 48mA
		Commercial		0.3	0.5	V	MIN	I _{OL} = 64mA
I _{IH}	Input HIGH Current				5	μA	MAX	V _{IN} = 2.7V
I _{IL}	Input LOW Current				-5	μA	MAX	V _{IN} = 0.5V
I _{OZH}	Off State I _{OUT} HIGH-Level Output Current				10	μA	MAX	V _{OUT} = 2.7V
I _{OZL}	Off State I _{OUT} LOW-Level Output Current				-10	μA	MAX	V _{OUT} = 0.5V
I _{OS}	Output Short Circuit Current ²		-60	-120	-225	mA	MAX	V _{OUT} = 0.0V
I _{OFF}	Power-off Disable				100	μA	0V	V _{OUT} = 4.5V
C _{IN}	Input Capacitance ³			6	10	pF	MAX	All inputs
C _{OUT}	Output Capacitance ³			8	12	pF	MAX	All outputs
I _{CC}	Quiescent Power Supply Current			0.2	1.5	mA	MAX	V _{IN} ≤ 0.2V, V _{IN} ≥ V _{CC} - 0.2V

Notes:

1900 Tbl 05

1. Typical limits are at V_{CC} = 5.0V, T_A = +25°C ambient.

2. Not more than one output should be shorted at a time. Duration of short should not exceed one second. The use of high speed test apparatus and/or sample and hold techniques are preferable in order to minimize internal chip heating and more accurately reflect

operational values. Otherwise prolonged shorting of a high output may raise the chip temperature well above normal and thereby cause invalid readings in other parameter tests. In any sequence

DC CHARACTERISTICS (Over recommended operating conditions unless otherwise specified.)

Symbol	Parameter	Typ ¹	Max	Units	Conditions
ΔI_{CC}	Quiescent Power Supply Current (TTL inputs)	0.5	2.0	mA	$V_{CC} = \text{MAX}$, $V_{IN} = 3.4V^2$, $f_1 = 0$, Outputs Open
I_{CCD}	Dynamic Power Supply Current ³	0.2	0.35	mA/MHz	$V_{CC} = \text{MAX}$, One Bit Toggling, 50% Duty Cycle, Outputs Open, $V_{IN} \leq 0.2V$ or $V_{IN} \geq V_{CC} - 0.2V$
I_C	Total Power Supply Current ⁵	2.0	5.0	mA	$V_{CC} = \text{MAX}$, Outputs Open, One Bit Toggling at $f_1 = 2.5\text{MHz}$, 50% Duty Cycle, $V_{IN} \leq 0.2V$ or $V_{IN} \geq V_{CC} - 0.2V$
		2.5	7.0	mA	$V_{CC} = \text{MAX}$, Outputs Open, One Bit Toggling at $f_1 = 2.5\text{MHz}$, 50% Duty Cycle, $V_{IN} = 3.4V$ or $V_{IN} = \text{GND}$
		7.25	13.75	mA	$V_{CC} = \text{MAX}$, Outputs Open, Eight Bits Toggling at $f_1 = 2.5\text{MHz}$, 50% Duty Cycle, $V_{IN} \leq 0.2V$ or $V_{IN} \geq V_{CC} - 0.2V$
		10.25	22.75	mA	$V_{CC} = \text{MAX}$, Outputs Open, Eight Bits Toggling at $f_1 = 2.5\text{MHz}$, 50% Duty Cycle, $V_{IN} = 3.4V$ or $V_{IN} = \text{GND}$

1551 Tbl 06

Notes:

- Typical values are at $V_{CC} = 5.0V$, $+25^\circ\text{C}$ ambient.
- Per TTL driven input ($V_{IN} = 3.4V$); all other inputs at V_{CC} or GND.
- This parameter is not directly testable, but is derived for use in Total Power Supply calculations.
- Values for these conditions are examples of the I_{CC} formula. These limits are guaranteed but not tested.
- $I_C = I_{\text{QUIESCENT}} + I_{\text{INPUTS}} + I_{\text{DYNAMIC}}$
 $I_C = I_{\text{CCQC}} + \Delta I_{\text{CC}} \cdot D_H \cdot N_T + I_{\text{CCD}}(f_0/2 + f_1 N_1)$
 $I_{\text{CC}} = \text{Quiescent Current with CMOS input levels}$

- ΔI_{CC} = Power Supply Current for a TTL High Input ($V_{IN} = 3.4V$)
 - D_H = Duty Cycle for TTL Inputs High
 - N_T = Number of TTL Inputs at D_H
 - I_{CCD} = Dynamic Current Caused by an Input Transition Pair (HLH or LHL)
 - f_0 = Clock Frequency for Register Devices (Zero for Non-Register Devices)
 - f_1 = Input Frequency
 - N_1 = Number of Inputs at f_1
- All currents are in milliamps and all frequencies are in megahertz.

AC CHARACTERISTICS (Minimum values for propagation delays are 1.5 ns, guaranteed by design)

Symbol	Parameter	'FCT480 'FCT481		'FCT480A 'FCT481A		'FCT480B 'FCT481B		Unit
		Mil.	Com'l.	Mil.	Com'l.	Mil.	Com'l.	
t_{PLH} t_{PHL}	Propagation Delay A_n to ODD	17.0 16.0	13.0 13.0	9.5 9.0	7.5 7.0	7.0 6.6	5.6 5.6	ns ns
t_{PLH}^* t_{PHL}	Propagation Delay A_n to ERR	17.0 20.0	13.0 16.0	9.0 10.5	7.0 8.5	7.0 8.1	5.6 6.5	ns ns
t_{PLH} t_{PHL}	Propagation Delay CHK/GEN to ODD	15.0 18.0	12.0 15.0	8.5 10.0	6.5 7.5	6.3 7.4	5.9 5.9	ns ns
t_{PLH}^* t_{PHL}	Propagation Delay CHK/GEN to ERR	17.0 16.0	14.0 13.0	9.5 9.0	7.5 7.0	7.1 6.9	5.7 5.5	ns ns

* t_{PLH} is measured up to $V_{\text{OUT}} = V_{\text{OL}} + 0.3V$

1900 Tbl 07

'FCT481T TRUTH TABLE

Inputs					Outputs			
A1 to H1	A2 to H2	CHK/nGEN	OPAR1	OPAR2	ODD1	ODD2	nPER	
Number of A1 to H1 Inputs HIGH is EVEN	Number of A2 to H2 Inputs HIGH is EVEN	H	H	H	H	H	L	
			L	H	L	H	L	
			H	L	H	L	L	
			L	L	L	L	H	
	Number of Inputs HIGH A2 to H2 is ODD	H	L	X	X	L	L	H
				H	H	H	L	L
				L	H	L	L	H
				H	L	H	H	L
				L	L	L	H	L
				X	X	L	H	L
Number of A1 to H1 Inputs HIGH is ODD	Number of A2 to H2 Inputs HIGH is EVEN	H	H	H	L	H	L	
			L	H	H	H	L	
			H	L	L	L	H	
			L	L	H	L	L	
	Number of A2 to H2 Inputs HIGH is ODD	H	L	X	X	H	L	L
				H	H	L	L	H
				L	H	H	L	L
				H	L	L	H	L
				L	L	H	H	L
				X	X	H	H	L

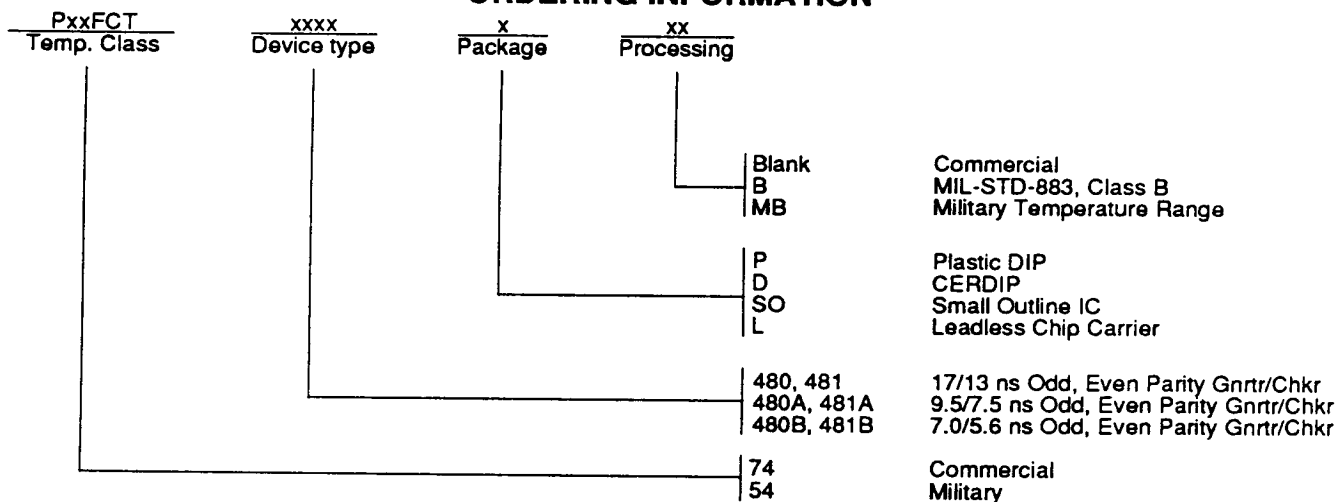
1900 Tr 08

'FCT480T TRUTH TABLE

Inputs					Outputs			
A1 to H1	A2 to H2	CHK/nGEN	EPAR1	EPAR2	EVEN1	EVEN2	nPER	
Number of A1 to H1 Inputs HIGH is EVEN	Number of A2 to H2 Inputs HIGH is EVEN	H	H	H	L	L	H	
			L	H	H	L	L	
			H	L	L	H	L	
			L	L	H	H	L	
	Number of Inputs HIGH A2 to H2 is ODD	H	L	X	X	H	H	L
			H	H	H	L	H	L
			L	H	H	H	H	L
			H	L	L	L	L	H
			L	L	L	H	L	L
			L	X	X	H	L	L
Number of A1 to H1 Inputs HIGH is ODD	Number of A2 to H2 Inputs HIGH is EVEN	H	H	H	H	L	L	
			L	H	L	L	H	
			H	L	H	H	L	
			L	L	L	H	L	
	Number of A2 to H2 Inputs HIGH is ODD	H	L	X	X	L	H	L
			H	H	H	H	H	L
			L	H	L	H	H	L
			H	L	H	L	L	L
			L	L	L	L	L	H
			L	X	X	L	L	H

1900 TR 08

ORDERING INFORMATION



1551 03

SEP 22 1992 032284 ✓ - B