



0419 series

16 Amp RAST 5 Relay

cULus File E214025
UL S D N KEBA

Users should thoroughly review the technical data before selecting a product part number. It is recommended that users also seek out the pertinent approvals files of the agencies/laboratories and review them to ensure the product meets the requirements for a given application.

Features

- 2 Form A (DPST-NO).
- 16 amp rated current.
- Compatible with RAST 5 connector.
- Contact gap exceeds 3 mm; 4kV/8mm contact-to-coil spacing.
- Designed for European domestic appliances.
- Snap-in or screw mounting.
- Dust cover.

Contact Data

Arrangements: 2 Form A (DPST-NO).
Material: Silver-cadmium oxide or silver-nickel.
Expected Mechanical Life: 2 million operations.

Ratings:

- Current:** 16A.
- Voltage:** 250VAC.
- Power (breaking):** 4,000 VA.
- Voltage (breaking):** 400VAC.
- Current (making, max. 4s at 10% duty cycle):** 25A.

AC Coil Models

- 16 amp resistive, 250VAC, 100,000 ops.
- 12 amp resistive, 250VAC, 100,000 ops.

DC Coil Models

- 16 amp resistive, 250VAC, 250,000 ops.
- 12 amp resistive, 250VAC, 250,000 ops.

Initial Dielectric Strength

Between Open Contacts: 2,000Vrms.
Between Coil and Contacts: 4,000Vrms.
Creepage/Clearance: 8/8mm.

Coil Data DC @ 20°C

Nominal Coil Power: AC Coils: 2.0-2.5 VA; DC Coils: 1.3W.

Nominal Voltage VDC	DC Resistance in Ohms ±10%	Must Operate Voltage VDC	Drop-out Voltage VDC	Maximum Voltage VDC	Nominal Coil Current (mA)
DC Coils					
12	118	7.7	0.9	19.5	102.0
24	470	15.5	1.8	39.0	51.0
AC Coils (50 Hz)					
110-120	1,650	93.0	18.0	132.0	20.0
220-240	6,600	187.0	36.0	264.0	10.0
380-400	20,000	323.0	60.0	440.0	6.0

Operate Data

Must Operate Voltage: See Coil Data table.
Operate Time (typical): 15 ms.
Release Time (typical): 15 ms.
Bounce Time (typical): 4 ms.
Switching Rate: 9,000 ops./hr. max. at rated load.

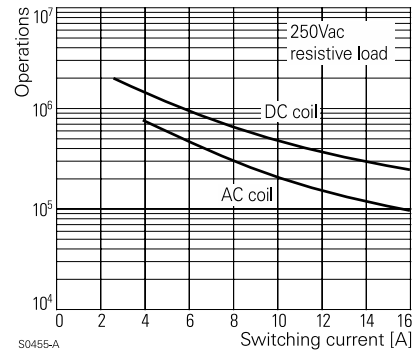
Environmental Data

Temperature Range:
Operating: -20°C to +90°C.
Vibration: (5 to 500 Hz.) 2g.
Shock (destruction): 80g.

Mechanical Data

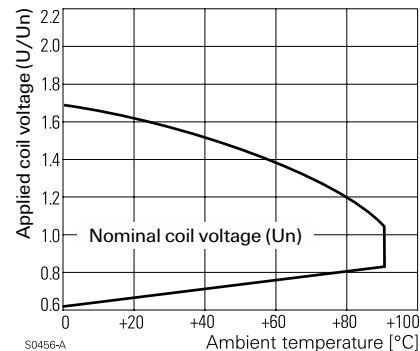
Termination: Rast 5.
Enclosure: Plastic dust cover.
Weight: 3.2 oz. (90 g) approximately.

Contact Life



S0455-A

Coil Operating Range



S0456-A

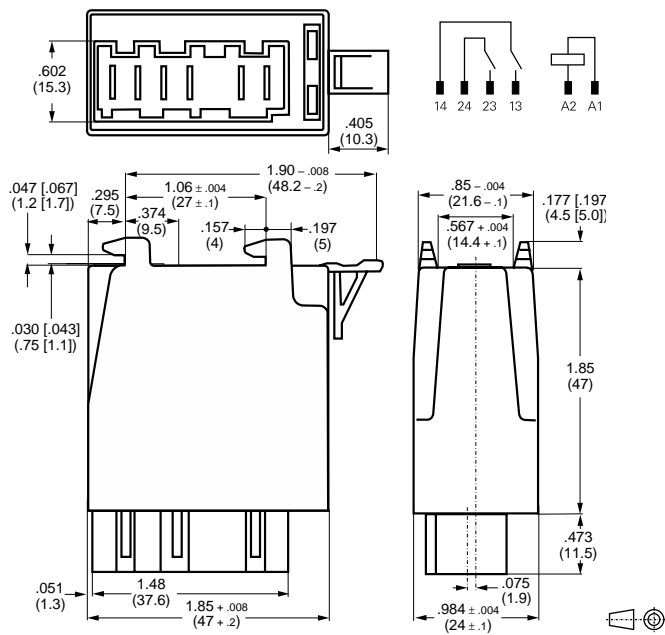
Ordering Information

Typical Part Number ▶	0419 01	14	01	00
1. Basic Series: 0419 01= Power relay with RAST 5 connection.				
2. Coil Voltage: 31 = 12VDC 29 = 24VDC 14 = 110-120VAC 10 = 220-240VAC 09 = 380-400VAC				
3. Contact Material: 01 = Silver-cadmium oxide. 03 = Silver-nickel 90/10				
4. Mounting: 00 = Snap mounting, 1.0 mm panel 01 = Snap mounting, 1.5 mm panel 02 = Screw mounting				

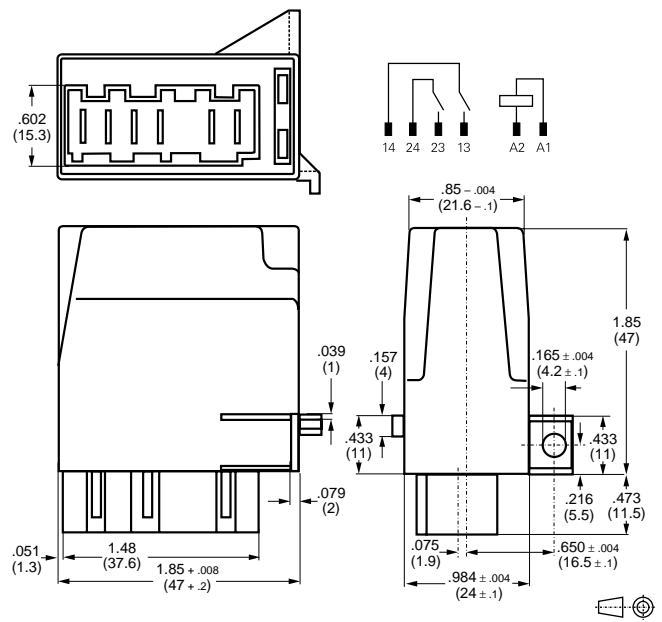
Our authorized distributors are more likely to stock the following items for immediate delivery.

None at present.

Outline Dimensions and Wiring Diagrams



Snap Mount Version



Screw Mount Version