

### N82S190, N82S191 — 16384 Bit Field Programmable BiPolar Prom

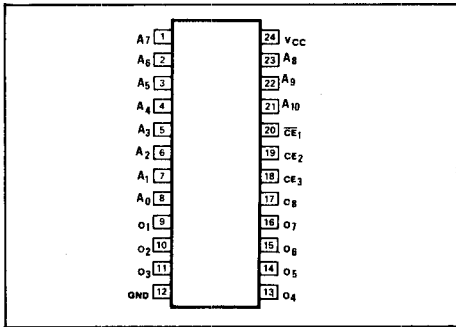
#### CONNECTION DIAGRAM

#### GENERAL DESCRIPTION

The 82S190 and 82S191 are field programmable, which means that custom patterns are immediately available by following the fusing procedure given in this data sheet. The standard 82S190 and 82S191 are supplied with all outputs at logical low. Outputs are programmed to a logic high level at any specified address by fusing a Ni-Cr link matrix.

These devices include on-chip decoding and 3 chip enable inputs for ease of memory expansion. They feature either open collector or tri-state outputs for optimization of word expansion in bused organizations.

Both 82S190 and 82S191 devices are available in the commercial and military ranges. For the commercial temperature range (0°C to +75°C) specify N82S190/191, I and for the military temperature range (-55°C to +125°C) specify S82S190/191, I.



#### FEATURES

- Address access time:
  - N82S190/191: 80ns max
  - S82S190/: 100ns max
- Power dissipation: 40μW/bit typ
- Input loading:
  - N82S190/191: -100μA max
  - S82S190/191: -150μA max
- 3 chip enable inputs
- On-chip address decoding
- Output options;
  - 82S190: Open collector
  - 82S191: Tri-state
- No separate fusing pins
- Unprogrammed outputs are low level
- Fully TTL compatible

#### APPLICATIONS

- Prototyping/volume production
- Sequential controllers
- Microprogramming
- Hardwired algorithms
- Control store
- Random logic
- Code conversion

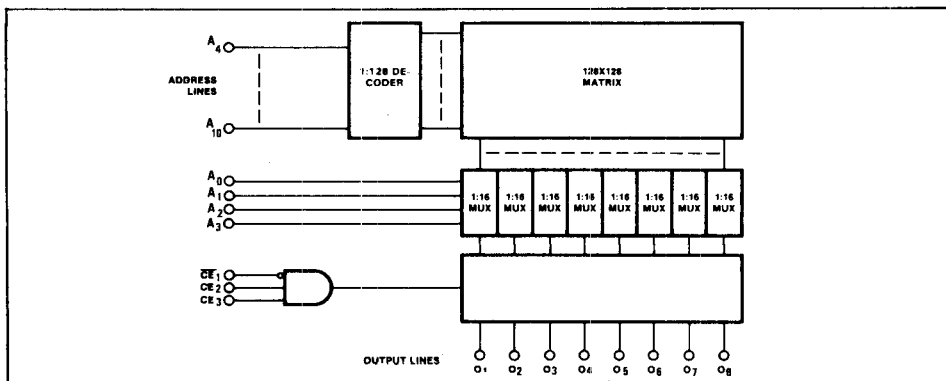
#### MAXIMUM RATINGS

PARAMETER	RATING	UNIT
VCC Supply voltage	+7	Vdc
VIN Input voltage	+5.5	Vdc
Output voltage		Vdc
VOH High (82S140)	+5.5	
VO Off-state (82S141)	+5.5	°C
TA Operating Temperature range		
N82S190/191	0 to +75	
S82S190/191	-55 to +125	
TSTG Storage	-65 to +150	

#### REFERENCE TABLE

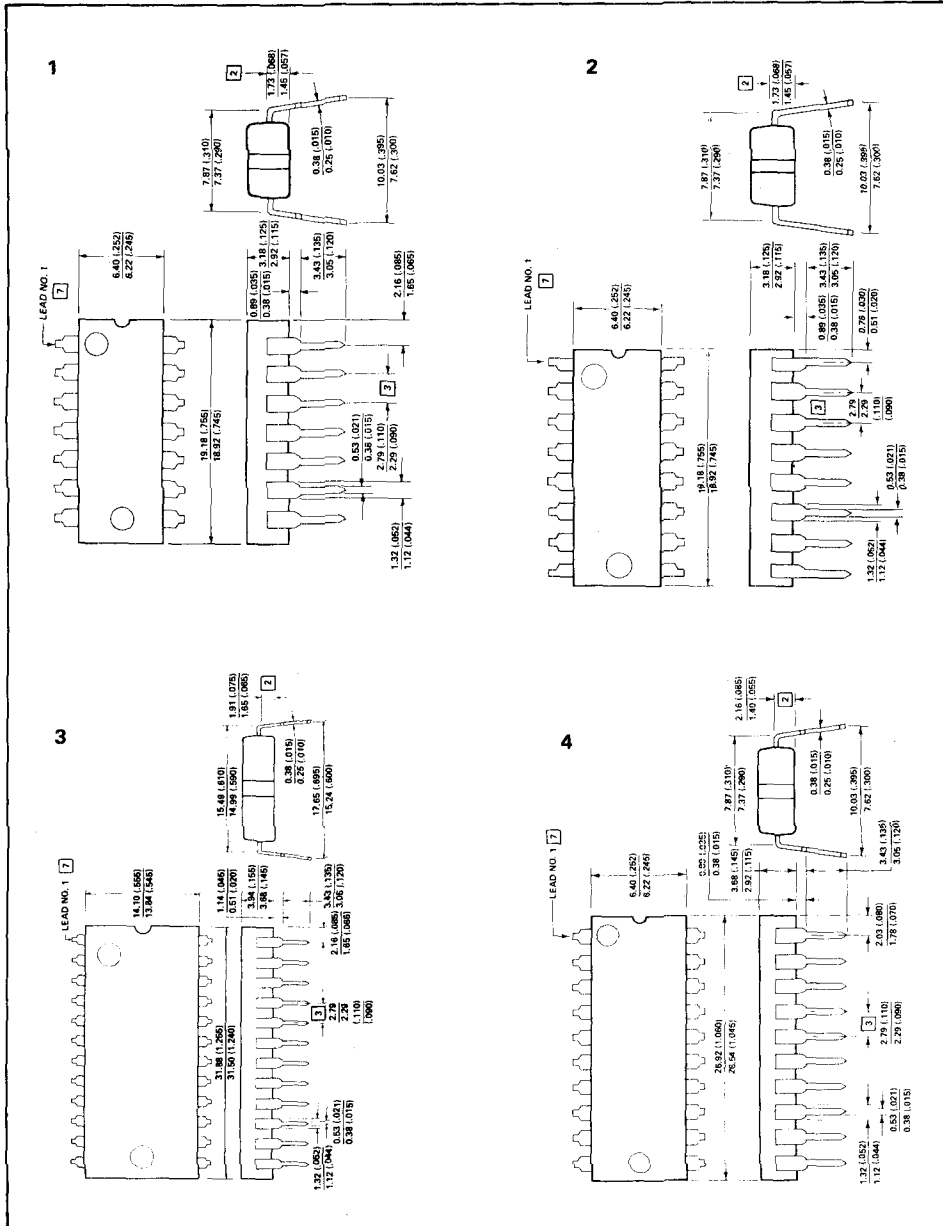
TYPE NO.	STOCK NO.	OUTLINE DRWG. NO.
N82S190F	56322E	3
N82S191F	56323C	3

#### BLOCK DIAGRAM



PLEASE QUOTE STOCK NO.  
AND MANUFACTURERS PART NO. WHEN ORDERING





PLEASE QUOTE STOCK NO.  
AND MANUFACTURERS PART NO. WHEN ORDERING

**LIT GEMINI**

# Signetics

## Outline Drawings



**TTT GEMINI**

FOR CURRENT PRICES PHONE  
HARLOW (0279) 29644

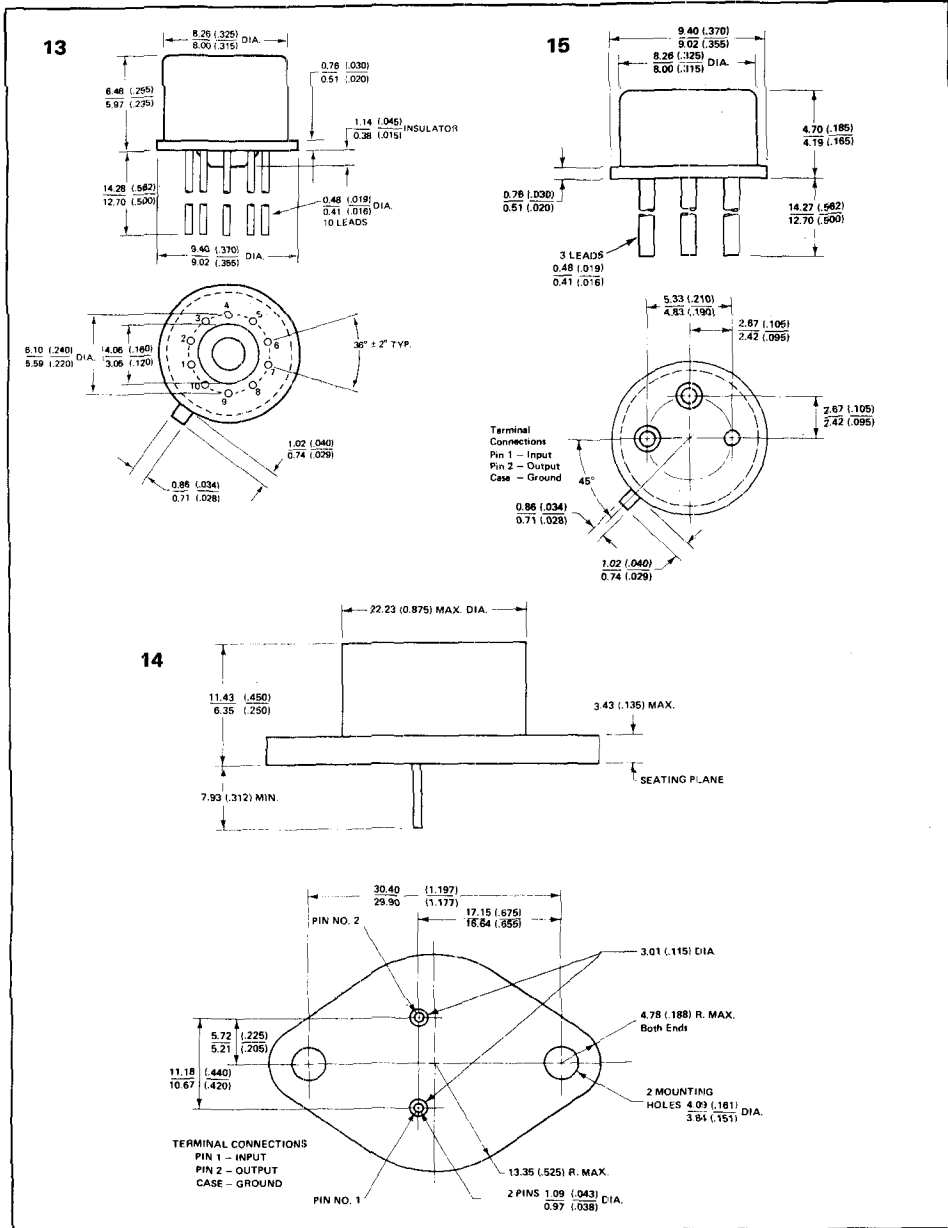


PLEASE QUOTE STOCK NO.  
AND MANUFACTURERS PART NO. WHEN ORDERING

**ITT GEMINI**

# Signetics

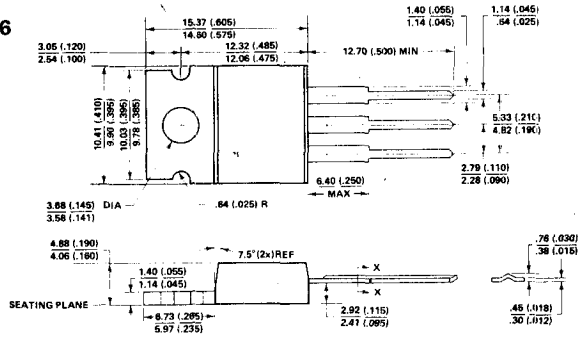
## Outline Drawings



**ITT GEMINI**

FOR CURRENT PRICES PHONE  
HARLOW (0279) 29644

16



17



19



PLEASE QUOTE STOCK NO.  
AND MANUFACTURER PART NO. WHEN ORDERING

**TTT GEMINI**

