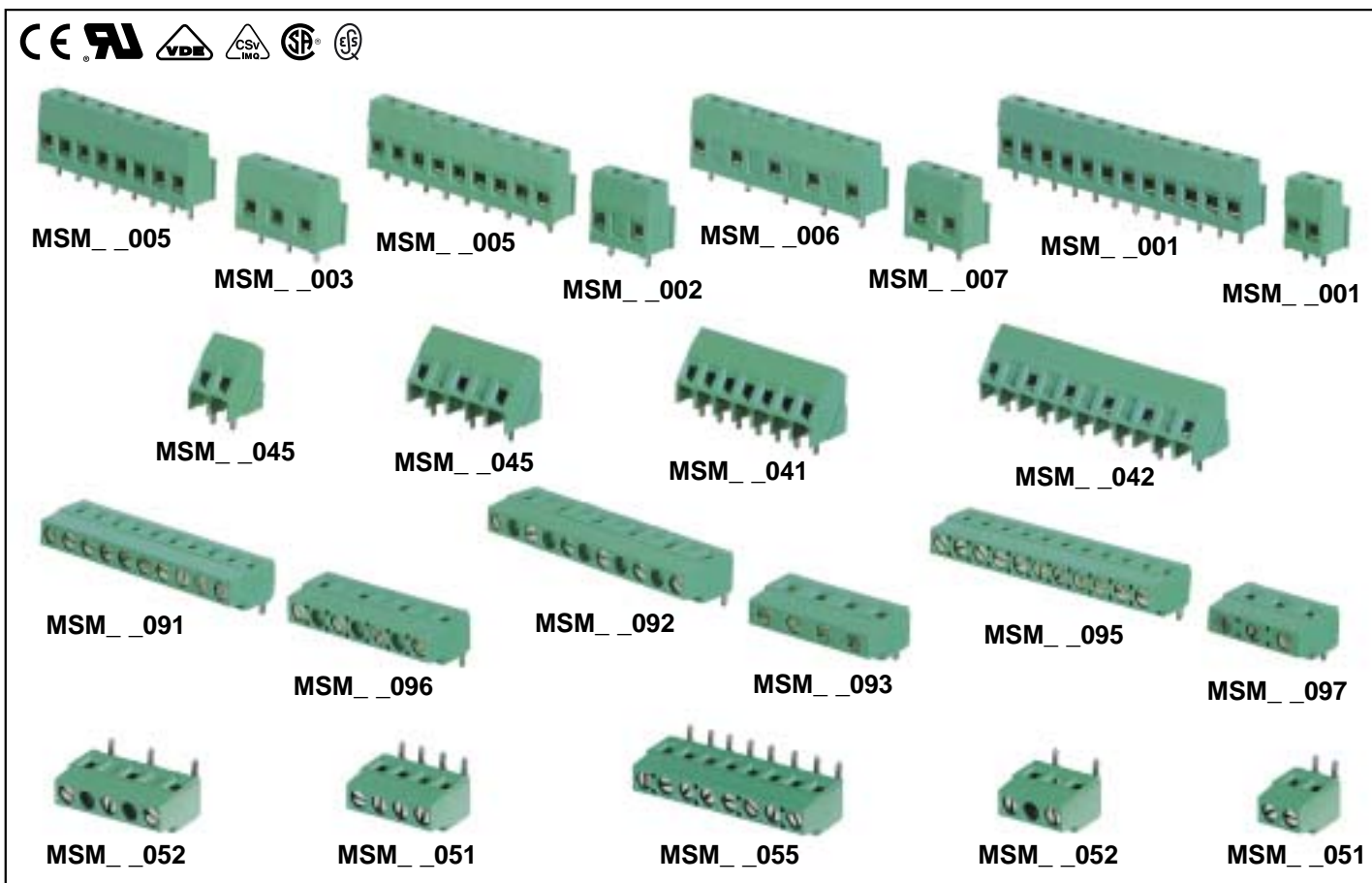




Dimensional Class: MEDIUM
Standard Color: GREEN
Height: .598 in (15.2 mm) Straight - .590 in (15.0 mm) 35°
 .354 in (9.0 mm) 90° and 270°
Cage Clamp Opening Size: .098 x .087 in (2.5 x 2.3 mm)
Wire Diameter: max. .087 in (3.80 mm²)
Versions: Modular with Dovetails
Single Mold Poles: from 2 to 25
Metric Pitches: .197 in (5 mm), .295 in (7.5 mm), .394 in (10 mm)
Imperial Pitches: .2 in (5.08 mm), .3 in (7.62 mm), .4 in (10.16 mm)

Classe Dimensionale: MEDIA
Colore Standard: VERDE
Altezza: 15,2 mm Dritto - 15,0 mm 35°
 9,0 mm 90° e 270°
Apertura Introduzione Filo: 2,5 x 2,3 mm
Diametro Filo Inseribile: max. 2,2 mm (3,80 mm²)
Versioni: Modulare con incastro a coda di rondine
Vie Monolitiche: da 2 a 25
Passi Metrici: 5 mm, 7,5 mm, 10 mm
Passi in Pollici: 5,08 mm, 7,62 mm, 10,16 mm

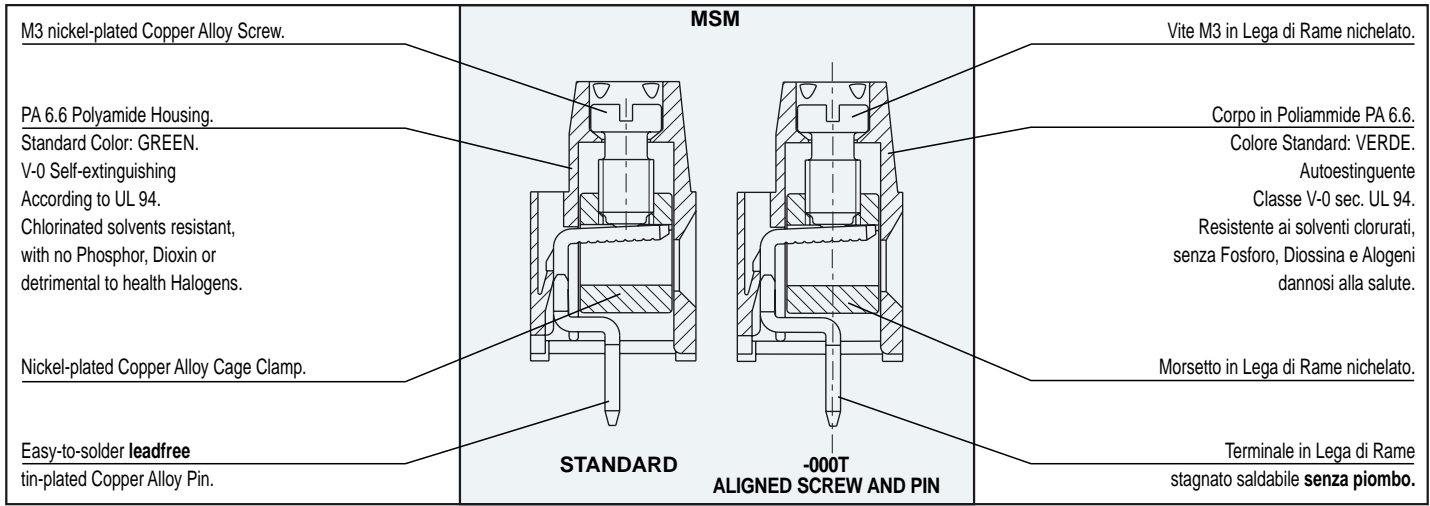


The modular MSM terminal block Series for printed circuit boards satisfies the user's mounting needs with the following possibilities:

- using individual single mold terminal blocks from 2 to 25 poles;
- combining single mold terminal blocks from 2 to 25 poles to obtain any number of poles; all MSM products, including single mold versions, have dovetail capabilities;
- minimizing the stock by storing only some base terminal blocks (ex. 2 - 3... 25 poles) to enable combinations as described above;
- being included in a custom Kit package to simplify the product management (part-numbers reduction), to minimize the stock, to improve the assembly and to reduce production errors.

La morsettiere modulare Serie MSM per circuiti stampati soddisfa le esigenze di montaggio dell'utilizzatore; infatti è possibile:

- utilizzare singolarmente le morsettiere base monolitiche da 2 a 25 vie;
- comporre le morsettiere base monolitiche da 2 a 25 vie per ottenere qualsiasi numero di vie;
- gestire uno stoccaggio minimo di morsettiere base (es. 2 - 3... 25 vie) per ottenere quanto sopra;
- utilizzare le confezioni Kit che permettono una semplificazione della gestione del prodotto (riduzione dei part-number), del magazzino, dell'assemblaggio, nonché una riduzione dei rischi d'errore.



Mechanical Characteristics

Recommended tightening torque:	0.8 Nm (UL)*
PCB thickness:	max. .110 in (max. 2.8 mm)
PCB hole diameter:	min. .055 in (min. 1.4 mm)
Stripping length:	.22 ÷ .26 in (5.5 ÷ 6.5 mm)
Operating temperature range:	-40 °F ÷ +230 °F (-40 °C ÷ +110 °C)
Climatic category:	40/110/21 According to IEC 68-1

Electrical Characteristics

Solid wire section:	30÷12 AWG - 0.05÷2.5 mm ² (UL, CSA)*
Stranded wire section:	30÷12 AWG - 0.05÷1.5 mm ² (UL, CSA)*
Rated voltage:	.197 in (5 mm) and .200 in (5.08 mm) pitch 300 V (UL, CSA)* .295 in (7.5 mm) and .300 in (7.62 mm) pitch 750 V (IMQ)* .394 in (10 mm) and .400 in (10.16 mm) pitch 750 V (IMQ)*
Rated current:	24 A (IMQ)*
Contact resistance:	<15 mΩ
Insulation resistance:	>10 ⁹ Ω (500V DC)

*All the a.m. data refer to the highest values amongst the certificated ones (). **V** voltage, **I** current values and tightening torque are related to the norms to be applied to the product and to its use.

Caratteristiche Meccaniche

Coppia di serraggio consigliata:	0,8 Nm (UL)*
Spessore circuito stampato:	max. 2,8 mm
Diametro fori circuito stampato:	min. 1,4 mm
Lunghezza di spellatura:	5,5 ÷ 6,5 mm
Temperature di funzionamento:	-40 °C ÷ +110 °C
Categoria climatica:	40/110/21 Secondo IEC 68-1

Caratteristiche Elettriche

Conduttore connettabile rigido:	0,05÷2,5 mm ² - 30÷12 AWG (UL, CSA)*
Conduttore connettabile flessibile:	0,05÷1,5 mm ² - 30÷12 AWG (UL, CSA)*
Tensione nominale:	passo 5 mm e 5,08 mm 300 V (UL, CSA)* passo 7,5 mm e 7,62 mm 750 V (IMQ)* passo 10 mm e 10,16 mm 750 V (IMQ)*
Corrente nominale:	24 A (IMQ)*
Resistenza di contatto:	<15 mΩ
Resistenza di isolamento:	>10 ⁹ Ω (500V CC)

*Per ogni caratteristica, i dati riportati si riferiscono ai massimi valori fra quelli certificati (). I valori di tensione **V** corrente **I** e, coppia di serraggio sono legati alle norme applicabili al prodotto ed al tipo di utilizzo.

Approvals

(see also "Certifications", page 22)



VDE: **Reg. N. 5659 ÜG**
250 V - 17,5 A - T 110 - 1.5 mm² for 5 mm and 5.08 mm pitch
450 V - 17,5 A - T 110 - 1.5 mm² for 7.5 mm and 7.62 mm pitch
750 V - 17,5 A - T 110 - 1.5 mm² for 10 mm and 10.16 mm pitch



IMQ: **Certificate with Surveillance IMQ CSv EA022**
ESS: 250 V - T 110 - 24 A - 2.5 mm² solid (17.5 A - 1.5 mm² stranded) for 5 mm and 5.08 mm pitch
750 V - T 110 - 24 A - 2.5 mm² solid (17.5 A - 1.5 mm² stranded) for 7.5 mm, 7.62 mm, 10 mm and 10.16 mm pitch



CSA: **File LR 102896-1**
300 V - 17.5 A - 30÷12 AWG for 5 mm and 5.08 mm pitch
450 V - 17.5 A - 30÷12 AWG for 7.5 mm and 7.62 mm pitch
600 V - 17.5 A - 30÷12 AWG for 10 mm and 10.16 mm pitch



UL: **File E 167473**
300 V - 17.5 A (Factory Wiring), 15 A (Field Wiring) - 30÷12 AWG for 5 mm, 5.08 mm, 7.5 mm and 7.62 mm pitch
600 V - 17.5 A (Factory Wiring), 15 A (Field Wiring) - 30÷12 AWG for 10 mm and 10.16 mm pitch
Application values for end-use equipment have to be in accordance to UL norms and applicable to it.



Certificazioni

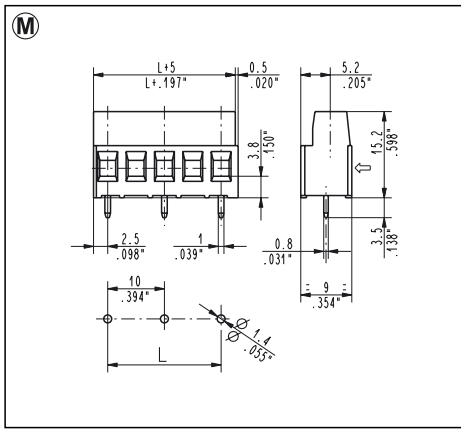
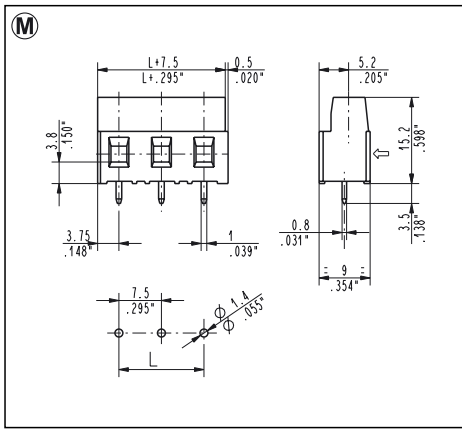
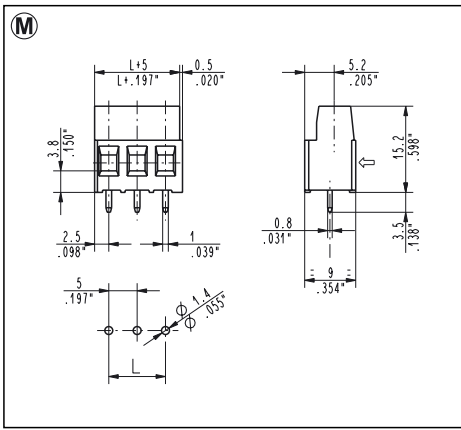
(vedi anche "Certificazioni", pag. 22)

VDE: **Reg. N. 5659 ÜG**
250 V - 17,5 A - T 110 - 1,5 mm² per passo 5 mm e 5,08 mm
450 V - 17,5 A - T 110 - 1,5 mm² per passo 7,5 mm e 7,62 mm
750 V - 17,5 A - T 110 - 1,5 mm² per passo 10 mm e 10,16 mm

IMQ: **Certificato con Sorveglianza IMQ CSv EA022**
ESS: 250 V - T 110 - 24 A - 2,5 mm² rigido (17,5 A - 1,5 mm² flessibile) per passo 5 mm e 5,08 mm
750 V - T 110 - 24 A - 2,5 mm² rigido (17,5 A - 1,5 mm² flessibile) per passo 7,5 mm, 7,62 mm, 10 mm e 10,16 mm

CSA: **File LR 102896-1**
300 V - 17,5 A - 30÷12 AWG per passo 5 mm e 5,08 mm
450 V - 17,5 A - 30÷12 AWG per passo 7,5 mm e 7,62 mm
600 V - 17,5 A - 30÷12 AWG per passo 10 mm e 10,16 mm

UL: **File E 167473**
300 V - 17,5 A (Factory Wiring), 15 A (Field Wiring) - 30÷12 AWG per passo 5 mm, 5,08 mm, 7,5 mm e 7,62 mm
600 V - 17,5 A (Factory Wiring), 15 A (Field Wiring) - 30÷12 AWG per passo 10 mm e 10,16 mm
I valori di utilizzo per l'apparecchiatura finale devono essere conformi alle norme UL ad essa applicabili.



MSM_001
5 mm / .197" Pitch
Straight, Side Entry
Weight per pole: 1.56 g

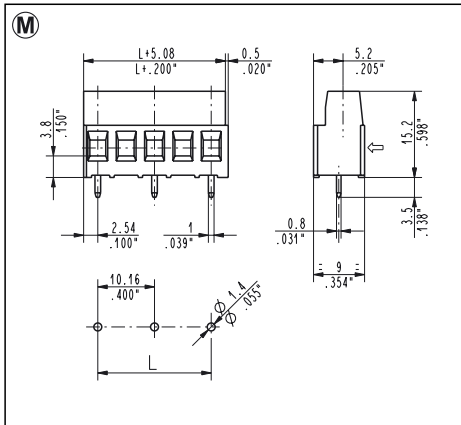
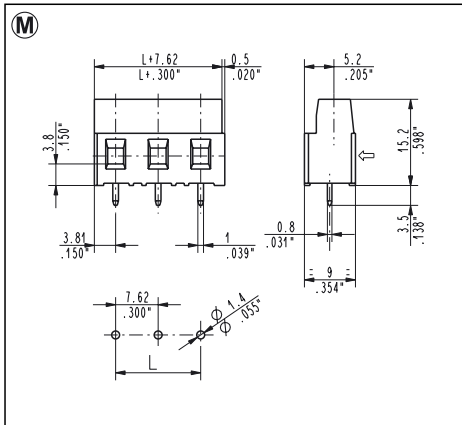
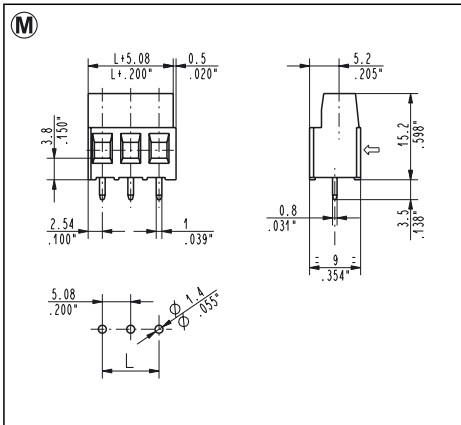
Poles	STD Code	L [mm]	L [inch]	Pcs/pack.	W [kg]
02	MSM02001	5.00	0.197	900	2.81
03	MSM03001	10.00	0.394	600	2.81
04	MSM04001	15.00	0.591	400	2.50
05	MSM05001	20.00	0.787	350	2.73
06	MSM06001	25.00	0.984	300	2.81
07	MSM07001	30.00	1.181	250	2.73
08	MSM08001	35.00	1.378	200	2.50
09	MSM09001	40.00	1.575	175	2.46
10	MSM10001	45.00	1.772	175	2.73
11	MSM11001	50.00	1.969	150	2.57
12	MSM12001	55.00	2.165	150	2.81
13	MSM13001	60.00	2.362	75	1.52
14	MSM14001	65.00	2.559	75	1.64
15	MSM15001	70.00	2.756	75	1.76
16	MSM16001	75.00	2.953	75	1.87
17	MSM17001	80.00	3.150	75	1.99
18	MSM18001	85.00	3.346	75	2.11
19	MSM19001	90.00	3.543	50	1.48
20	MSM20001	95.00	3.740	50	1.56
21	MSM21001	100.00	3.937	50	1.64
22	MSM22001	105.00	4.134	50	1.72
23	MSM23001	110.00	4.331	50	1.79
24	MSM24001	115.00	4.528	50	1.87
25	MSM25001	120.00	4.724	50	1.95

MSM_003
7.5 mm / .295" Pitch
Straight, Side Entry
Weight per pole: 1.75 g

Poles	STD Code	L [mm]	L [inch]	Pcs/pack.	W [kg]
02	MSM02003	7.50	0.295	300	1.05
03	MSM03003	15.00	0.591	200	1.05
04	MSM04003	22.50	0.886	150	1.05

MSM_002
10 mm / .394" Pitch
Straight, Side Entry
Weight per pole: 1.77 g

Poles	STD Code	L [mm]	L [inch]	Pcs/pack.	W [kg]
02	MSM02002	10.00	0.394	300	1.06
03	MSM03002	20.00	0.787	175	0.93
04	MSM04002	30.00	1.181	125	0.88
05	MSM05002	40.00	1.575	100	0.88
06	MSM06002	50.00	1.969	75	0.80
07	MSM07002	60.00	2.362	75	0.93
08	MSM08002	70.00	2.756	75	1.06
09	MSM09002	80.00	3.150	75	1.19
10	MSM10002	90.00	3.543	50	0.88
11	MSM11002	100.00	3.937	50	0.97
12	MSM12002	110.00	4.331	50	1.06
13	MSM13002	120.00	4.724	50	1.15



MSM_005
5.08 mm / .200" Pitch
Straight, Side Entry
Weight per pole: 1.56 g

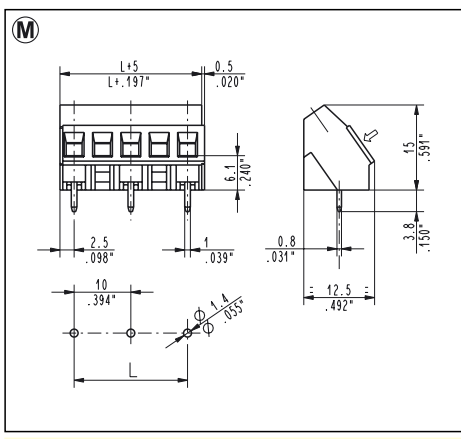
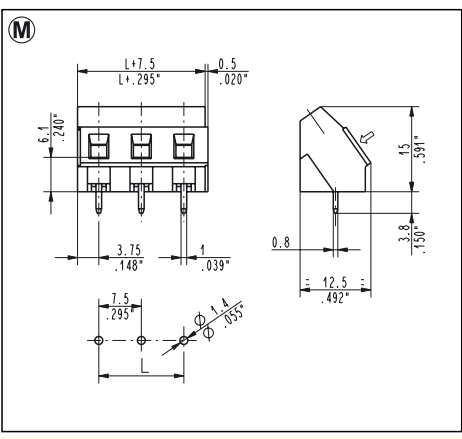
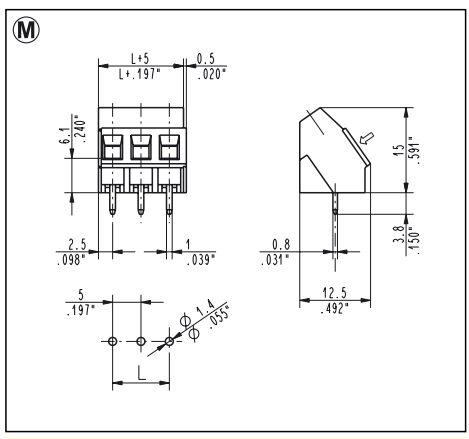
Poles	STD Code	L [mm]	L [inch]	Pcs/pack.	W [kg]
02	MSM02005	5.08	0.200	900	2.81
03	MSM03005	10.16	0.400	600	2.81
04	MSM04005	15.24	0.600	400	2.50
05	MSM05005	20.32	0.800	350	2.73
06	MSM06005	25.40	1.000	300	2.81
07	MSM07005	30.48	1.200	250	2.73
08	MSM08005	35.56	1.400	200	2.50
09	MSM09005	40.64	1.600	175	2.46
10	MSM10005	45.72	1.800	175	2.73
11	MSM11005	50.80	2.000	150	2.57
12	MSM12005	55.88	2.200	150	2.81
13	MSM13005	60.96	2.400	75	1.52
14	MSM14005	66.04	2.600	75	1.64
15	MSM15005	71.12	2.800	75	1.76
16	MSM16005	76.20	3.000	75	1.87
17	MSM17005	81.28	3.200	75	1.99
18	MSM18005	86.36	3.400	75	2.11
19	MSM19005	91.44	3.600	50	1.48
20	MSM20005	96.52	3.800	50	1.56
21	MSM21005	101.60	4.000	50	1.64
22	MSM22005	106.68	4.200	50	1.72
23	MSM23005	111.76	4.400	50	1.79
24	MSM24005	116.84	4.600	50	1.87
25	MSM25005	121.92	4.800	50	1.95

MSM_007
7.62 mm / .300" Pitch
Straight, Side Entry
Weight per pole: 1.75 g

Poles	STD Code	L [mm]	L [inch]	Pcs/pack.	W [kg]
02	MSM02007	7.62	0.300	300	1.05
03	MSM03007	15.24	0.600	200	1.05

MSM_006
10.16 mm / .400" Pitch
Straight, Side Entry
Weight per pole: 1.77 g

Poles	STD Code	L [mm]	L [inch]	Pcs/pack.	W [kg]
02	MSM02006	10.16	0.400	300	1.06
03	MSM03006	20.32	0.800	175	0.93
04	MSM04006	30.48	1.200	125	0.88
05	MSM05006	40.64	1.600	100	0.88
06	MSM06006	50.80	2.000	75	0.80
07	MSM07006	60.96	2.400	75	0.93
08	MSM08006	71.12	2.800	75	1.06
09	MSM09006	81.28	3.200	75	1.19
10	MSM10006	91.44	3.600	50	0.88
11	MSM11006	101.60	4.000	50	0.97
12	MSM12006	111.76	4.400	50	1.06
13	MSM13006	121.92	4.800	50	1.15



MSM_041 35°, Angled Entry
5 mm / .197" Pitch Weight per pole: 1.56 g

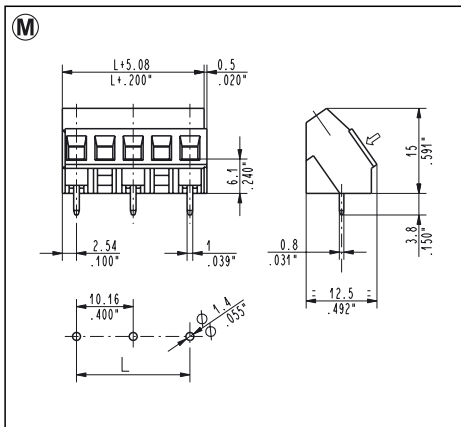
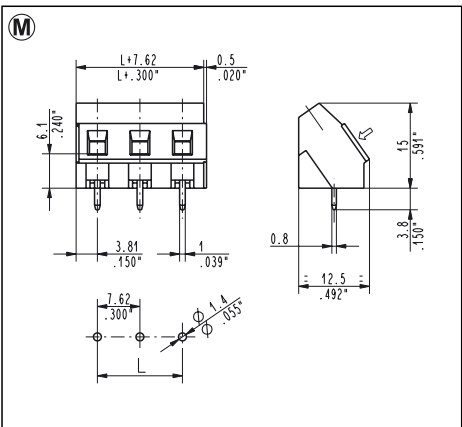
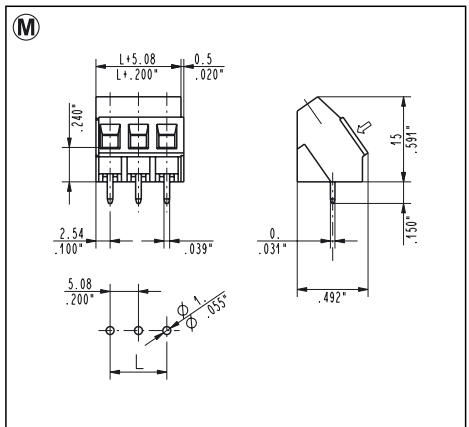
Poles	STD Code	L [mm]	L [inch]	Pcs/pack.	W [kg]
02	MSM02041	5.00	0.197	900	2.81
03	MSM03041	10.00	0.394	600	2.81
04	MSM04041	15.00	0.591	400	2.50
05	MSM05041	20.00	0.787	350	2.73
06	MSM06041	25.00	0.984	300	2.81
07	MSM07041	30.00	1.181	250	2.73
08	MSM08041	35.00	1.378	200	2.50
09	MSM09041	40.00	1.575	175	2.46
10	MSM10041	45.00	1.772	175	2.73
11	MSM11041	50.00	1.969	150	2.57
12	MSM12041	55.00	2.165	150	2.81

MSM_043 35°, Angled Entry
7.5 mm / .295" Pitch Weight per pole: 1.75 g

Poles	STD Code	L [mm]	L [inch]	Pcs/pack.	W [kg]
02	MSM02043	7.50	0.295	300	1.05
03	MSM03043	15.00	0.591	200	1.05
04	MSM04043	22.50	0.886	150	1.05
05	MSM05043	30.00	1.181	100	0.87
06	MSM06043	37.50	1.476	75	0.79
07	MSM07043	45.00	1.772	75	0.92
08	MSM08043	52.50	2.067	75	1.05
09	MSM09043	60.00	2.362	75	1.18
10	MSM10043	67.50	2.657	75	1.31
11	MSM11043	75.00	2.953	50	0.96
12	MSM12043	82.50	3.248	50	1.05

MSM_042 35°, Angled Entry
10 mm / .394" Pitch Weight per pole: 1.77 g

Poles	STD Code	L [mm]	L [inch]	Pcs/pack.	W [kg]
02	MSM02042	10.00	0.394	300	1.06
03	MSM03042	20.00	0.787	175	0.93
04	MSM04042	30.00	1.181	125	0.88
05	MSM05042	40.00	1.575	100	0.88
06	MSM06042	50.00	1.969	75	0.80



MSM_045 35°, Angled Entry
5.08 mm / .200" Pitch Weight per pole: 1.56 g

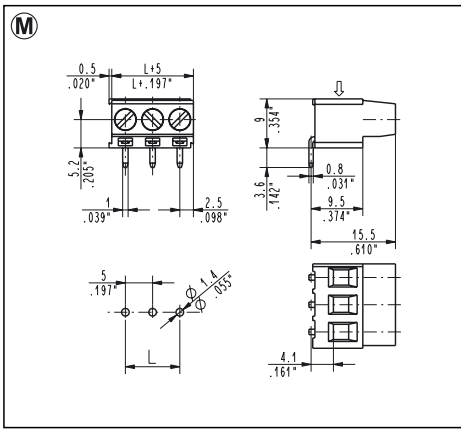
Poles	STD Code	L [mm]	L [inch]	Pcs/pack.	W [kg]
02	MSM02045	5.08	0.200	900	2.81
03	MSM03045	10.16	0.400	600	2.81
04	MSM04045	15.24	0.600	400	2.50
05	MSM05045	20.32	0.800	350	2.73
06	MSM06045	25.40	1.000	300	2.81
07	MSM07045	30.48	1.200	250	2.73
08	MSM08045	35.56	1.400	200	2.50
09	MSM09045	40.64	1.600	175	2.46
10	MSM10045	45.72	1.800	175	2.73
11	MSM11045	50.80	2.000	150	2.57
12	MSM12045	55.88	2.200	150	2.81
13	MSM13045	60.96	2.400	75	1.52
14	MSM14045	66.04	2.600	75	1.64
15	MSM15045	71.12	2.800	75	1.76
16	MSM16045	76.20	3.000	75	1.87
17	MSM17045	81.28	3.200	70	1.86
18	MSM18045	86.36	3.400	65	1.97
19	MSM19045	91.44	3.600	50	1.48
20	MSM20045	96.52	3.800	50	1.56
21	MSM21045	101.60	4.000	50	1.64
22	MSM22045	106.68	4.200	50	1.72
23	MSM23045	111.76	4.400	50	1.79
24	MSM24045	116.84	4.600	50	1.87
25	MSM25045	121.92	4.800	50	1.95

MSM_047 35°, Angled Entry
7.62 mm / .300" Pitch Weight per pole: 1.75 g

Poles	STD Code	L [mm]	L [inch]	Pcs/pack.	W [kg]
02	MSM02047	7.62	0.300	300	1.05
03	MSM03047	15.24	0.600	200	1.05
04	MSM04047	22.86	0.900	150	1.05
05	MSM05047	30.48	1.200	100	0.87
06	MSM06047	38.10	1.500	75	0.79
07	MSM07047	45.72	1.800	75	0.92
08	MSM08047	53.34	2.100	75	1.05
09	MSM09047	60.96	2.400	75	1.18
10	MSM10047	68.58	2.700	75	1.31
11	MSM11047	76.20	3.000	50	0.96
12	MSM12047	83.82	3.300	50	1.05

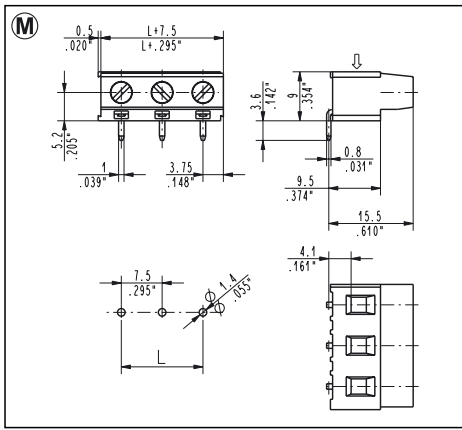
MSM_046 35°, Angled Entry
10.16 mm / .400" Pitch Weight per pole: 1.77 g

Poles	STD Code	L [mm]	L [inch]	Pcs/pack.	W [kg]
02	MSM02046	10.16	0.400	300	1.06
03	MSM03046	20.32	0.800	175	0.93
04	MSM04046	30.48	1.200	125	0.88
05	MSM05046	40.64	1.600	100	0.88
06	MSM06046	50.80	2.000	75	0.80
07	MSM07046	60.96	2.400	75	0.93
08	MSM08046	71.12	2.800	75	1.06
09	MSM09046	81.28	3.200	75	1.19
10	MSM10046	91.44	3.600	50	0.88
11	MSM11046	101.60	4.000	50	0.97
12	MSM12046	111.76	4.400	50	1.06
13	MSM13046	121.92	4.800	50	1.15



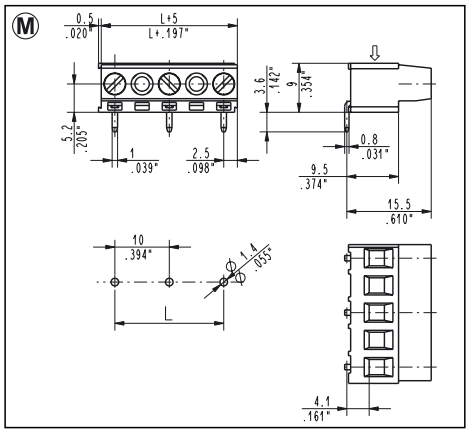
MSM_091 90°, Top Entry
5 mm / .197" Pitch Weight per pole: 1.56 g

Poles	STD Code	L [mm]	L [inch]	Pcs/pack.	W [kg]
02	MSM02091	5.00	0.197	900	2.81
03	MSM03091	10.00	0.394	600	2.81
04	MSM04091	15.00	0.591	400	2.50
05	MSM05091	20.00	0.787	350	2.73
06	MSM06091	25.00	0.984	300	2.81
07	MSM07091	30.00	1.181	250	2.73
08	MSM08091	35.00	1.378	200	2.50
09	MSM09091	40.00	1.575	175	2.46
10	MSM10091	45.00	1.772	175	2.73
11	MSM11091	50.00	1.969	150	2.57
12	MSM12091	55.00	2.165	150	2.81
13	MSM13091	60.00	2.362	75	1.52
14	MSM14091	65.00	2.559	75	1.64
15	MSM15091	70.00	2.756	75	1.76
16	MSM16091	75.00	2.953	75	1.87
17	MSM17091	80.00	3.150	75	1.99
18	MSM18091	85.00	3.346	75	2.11
19	MSM19091	90.00	3.543	50	1.48
20	MSM20091	95.00	3.740	50	1.56
21	MSM21091	100.00	3.937	50	1.64
22	MSM22091	105.00	4.134	50	1.72
23	MSM23091	110.00	4.331	50	1.79
24	MSM24091	115.00	4.528	50	1.87
25	MSM25091	120.00	4.724	50	1.95



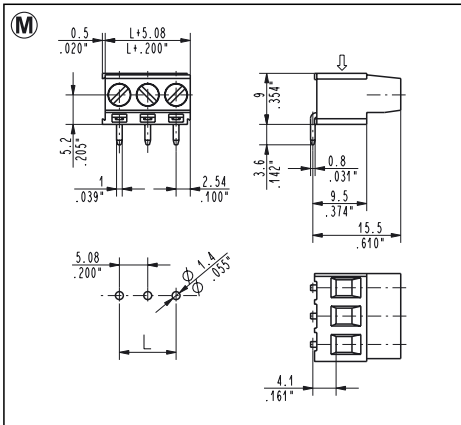
MSM_093 90°, Top Entry
7.5 mm / .295" Pitch Weight per pole: 1.75 g

Poles	STD Code	L [mm]	L [inch]	Pcs/pack.	W [kg]
02	MSM02093	7.50	0.295	300	1.05
03	MSM03093	15.00	0.591	200	1.05
04	MSM04093	22.50	0.886	150	1.05



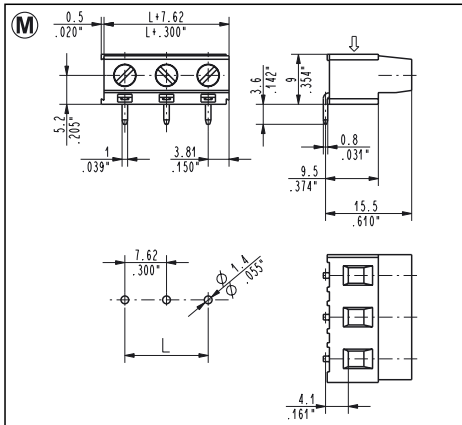
MSM_092 90°, Top Entry
10 mm / .394" Pitch Weight per pole: 1.77 g

Poles	STD Code	L [mm]	L [inch]	Pcs/pack.	W [kg]
02	MSM02092	10.00	0.394	300	1.06
03	MSM03092	20.00	0.787	175	0.93
04	MSM04092	30.00	1.181	125	0.88
05	MSM05092	40.00	1.575	100	0.88
06	MSM06092	50.00	1.969	75	0.80
07	MSM07092	60.00	2.362	75	0.93
08	MSM08092	70.00	2.756	75	1.06
09	MSM09092	80.00	3.150	75	1.19
10	MSM10092	90.00	3.543	50	0.88
11	MSM11092	100.00	3.937	50	0.97
12	MSM12092	110.00	4.331	50	1.06
13	MSM13092	120.00	4.724	50	1.15



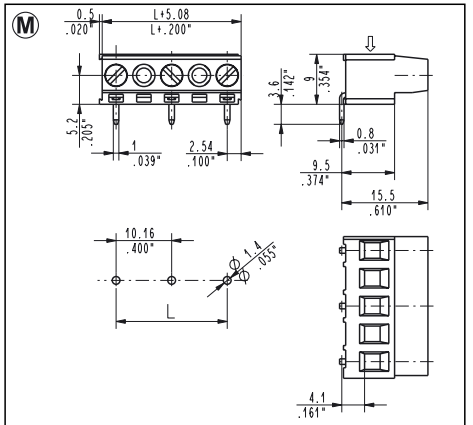
MSM_095 90°, Top Entry
5.08 mm / .200" Pitch Weight per pole: 1.56 g

Poles	STD Code	L [mm]	L [inch]	Pcs/pack.	W [kg]
02	MSM02095	5.08	0.200	900	2.81
03	MSM03095	10.16	0.400	600	2.81
04	MSM04095	15.24	0.600	400	2.50
05	MSM05095	20.32	0.800	350	2.73
06	MSM06095	25.40	1.000	300	2.81
07	MSM07095	30.48	1.200	250	2.73
08	MSM08095	35.56	1.400	200	2.50
09	MSM09095	40.64	1.600	175	2.46
10	MSM10095	45.72	1.800	175	2.73
11	MSM11095	50.80	2.000	150	2.57
12	MSM12095	55.88	2.200	150	2.81
13	MSM13095	60.96	2.400	75	1.52
14	MSM14095	66.04	2.600	75	1.64
15	MSM15095	71.12	2.800	75	1.76
16	MSM16095	76.20	3.000	75	1.87
17	MSM17095	81.28	3.200	75	1.99
18	MSM18095	86.36	3.400	75	2.11
19	MSM19095	91.44	3.600	50	1.48
20	MSM20095	96.52	3.800	50	1.56
21	MSM21095	101.60	4.000	50	1.64
22	MSM22095	106.68	4.200	50	1.72
23	MSM23095	111.76	4.400	50	1.79
24	MSM24095	116.84	4.600	50	1.87
25	MSM25095	121.92	4.800	50	1.95



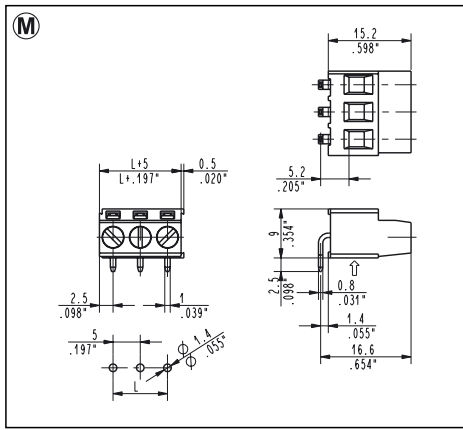
MSM_097 90°, Top Entry
7.62 mm / .300" Pitch Weight per pole: 1.75 g

Poles	STD Code	L [mm]	L [inch]	Pcs/pack.	W [kg]
02	MSM02097	7.62	0.300	300	1.05
03	MSM03097	15.24	0.600	200	1.05



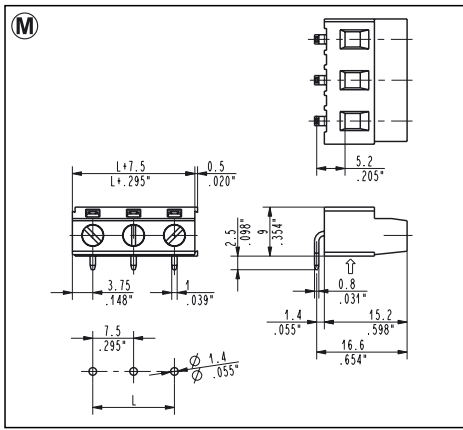
MSM_096 90°, Top Entry
10.16 mm / .400" Pitch Weight per pole: 1.77 g

Poles	STD Code	L [mm]	L [inch]	Pcs/pack.	W [kg]
02	MSM02096	10.16	0.400	300	1.06
03	MSM03096	20.32	0.800	175	0.93
04	MSM04096	30.48	1.200	125	0.88
05	MSM05096	40.64	1.600	100	0.88
06	MSM06096	50.80	2.000	75	0.80
07	MSM07096	60.96	2.400	75	0.93
08	MSM08096	71.12	2.800	75	1.06
09	MSM09096	81.28	3.200	75	1.19
10	MSM10096	91.44	3.600	50	0.88
11	MSM11096	101.60	4.000	50	0.97
12	MSM12096	111.76	4.400	50	1.06
13	MSM13096	121.92	4.800	50	1.15



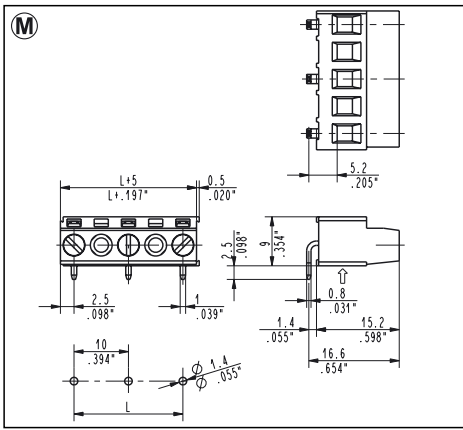
MSM_051
5 mm / .197" Pitch
270°, Bottom Entry
Weight per pole: 1.56 g

Poles	STD Code	L [mm]	L [inch]	Pcs/pack.	W [kg]
02	MSM02051	5.00	0.197	900	2.81
03	MSM03051	10.00	0.394	600	2.81
04	MSM04051	15.00	0.591	400	2.50
05	MSM05051	20.00	0.787	350	2.73
06	MSM06051	25.00	0.984	300	2.81
07	MSM07051	30.00	1.181	250	2.73
08	MSM08051	35.00	1.378	200	2.50
09	MSM09051	40.00	1.575	175	2.46
10	MSM10051	45.00	1.772	175	2.73
11	MSM11051	50.00	1.969	150	2.57
12	MSM12051	55.00	2.165	150	2.81
13	MSM13051	60.00	2.362	75	1.52
14	MSM14051	65.00	2.559	75	1.64
15	MSM15051	70.00	2.756	75	1.76
16	MSM16051	75.00	2.953	75	1.87
17	MSM17051	80.00	3.150	75	1.99
18	MSM18051	85.00	3.346	75	2.11
19	MSM19051	90.00	3.543	50	1.48
20	MSM20051	95.00	3.740	50	1.56
21	MSM21051	100.00	3.937	50	1.64
22	MSM22051	105.00	4.134	50	1.72
23	MSM23051	110.00	4.331	50	1.79
24	MSM24051	115.00	4.528	50	1.87
25	MSM25051	120.00	4.724	50	1.95



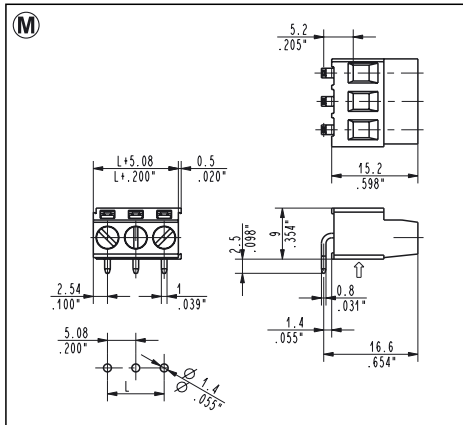
MSM_053
7.5 mm / .295" Pitch
270°, Bottom Entry
Weight per pole: 1.75 g

Poles	STD Code	L [mm]	L [inch]	Pcs/pack.	W [kg]
02	MSM02053	7.50	0.295	300	1.05
03	MSM03053	15.00	0.591	200	1.05
04	MSM04053	22.50	0.886	150	1.05



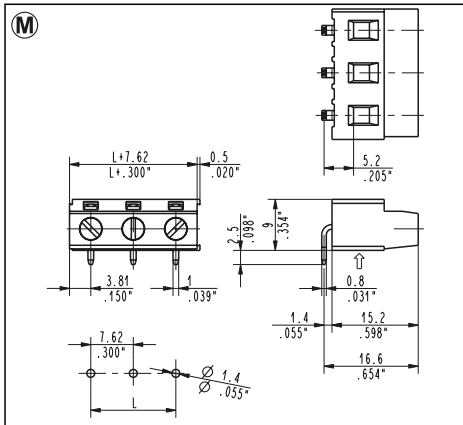
MSM_052
10 mm / .394" Pitch
270°, Bottom Entry
Weight per pole: 1.77 g

Poles	STD Code	L [mm]	L [inch]	Pcs/pack.	W [kg]
02	MSM02052	10.00	0.394	300	1.06
03	MSM03052	20.00	0.787	175	0.93
04	MSM04052	30.00	1.181	125	0.88
05	MSM05052	40.00	1.575	100	0.88
06	MSM06052	50.00	1.969	75	0.80
07	MSM07052	60.00	2.362	75	0.93
08	MSM08052	70.00	2.756	75	1.06
09	MSM09052	80.00	3.150	75	1.19
10	MSM10052	90.00	3.543	50	0.88
11	MSM11052	100.00	3.937	50	0.97
12	MSM12052	110.00	4.331	50	1.06
13	MSM13052	120.00	4.724	50	1.15



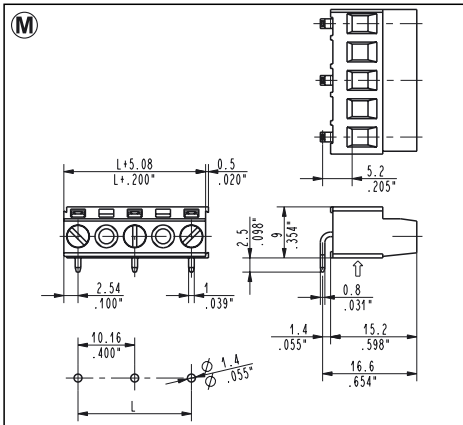
MSM_055
5.08 mm / .200" Pitch
270°, Bottom Entry
Weight per pole: 1.56 g

Poles	STD Code	L [mm]	L [inch]	Pcs/pack.	W [kg]
02	MSM02055	5.08	0.200	900	2.81
03	MSM03055	10.16	0.400	600	2.81
04	MSM04055	15.24	0.600	400	2.50
05	MSM05055	20.32	0.800	350	2.73
06	MSM06055	25.40	1.000	300	2.81
07	MSM07055	30.48	1.200	250	2.73
08	MSM08055	35.56	1.400	200	2.50
09	MSM09055	40.64	1.600	175	2.46
10	MSM10055	45.72	1.800	175	2.73
11	MSM11055	50.80	2.000	150	2.57
12	MSM12055	55.88	2.200	150	2.81
13	MSM13055	60.96	2.400	75	1.52
14	MSM14055	66.04	2.600	75	1.64
15	MSM15055	71.12	2.800	75	1.76
16	MSM16055	76.20	3.000	75	1.87
17	MSM17055	81.28	3.200	75	1.99
18	MSM18055	86.36	3.400	75	2.11
19	MSM19055	91.44	3.600	50	1.48
20	MSM20055	96.52	3.800	50	1.56
21	MSM21055	101.60	4.000	50	1.64
22	MSM22055	106.68	4.200	50	1.72
23	MSM23055	111.76	4.400	50	1.79
24	MSM24055	116.84	4.600	50	1.87
25	MSM25055	121.92	4.800	50	1.95



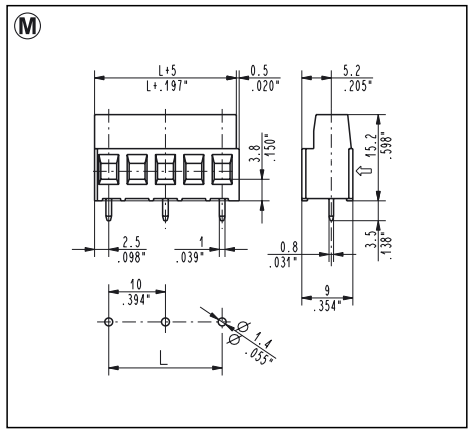
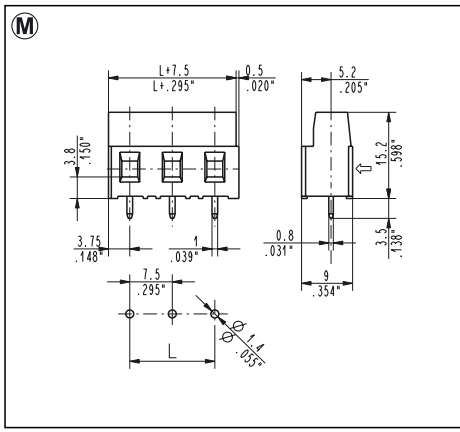
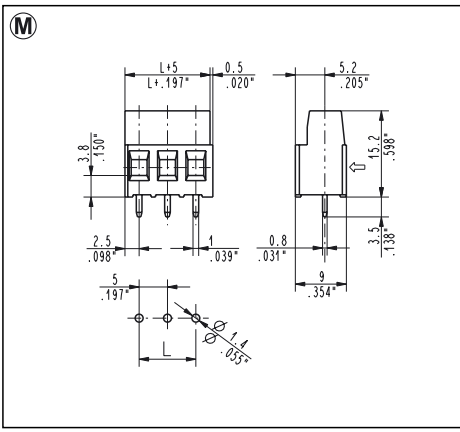
MSM_057
7.62 mm / .300" Pitch
270°, Bottom Entry
Weight per pole: 1.75 g

Poles	STD Code	L [mm]	L [inch]	Pcs/pack.	W [kg]
02	MSM02057	7.62	0.300	300	1.05
03	MSM03057	15.24	0.600	200	1.05



MSM_056
10.16 mm / .400" Pitch
270°, Bottom Entry
Weight per pole: 1.77 g

Poles	STD Code	L [mm]	L [inch]	Pcs/pack.	W [kg]
02	MSM02056	10.16	0.400	300	1.06
03	MSM03056	20.32	0.800	175	0.93
04	MSM04056	30.48	1.200	125	0.88
05	MSM05056	40.64	1.600	100	0.88
06	MSM06056	50.80	2.000	75	0.80
07	MSM07056	60.96	2.400	75	0.93
08	MSM08056	71.12	2.800	75	1.06
09	MSM09056	81.28	3.200	75	1.19
10	MSM10056	91.44	3.600	50	0.88
11	MSM11056	101.60	4.000	50	0.97
12	MSM12056	111.76	4.400	50	1.06
13	MSM13056	121.92	4.800	50	1.15



MSM_001 - 000T Straight, Side Entry
5 mm / .197" Pitch Weight per pole: 1.56 g

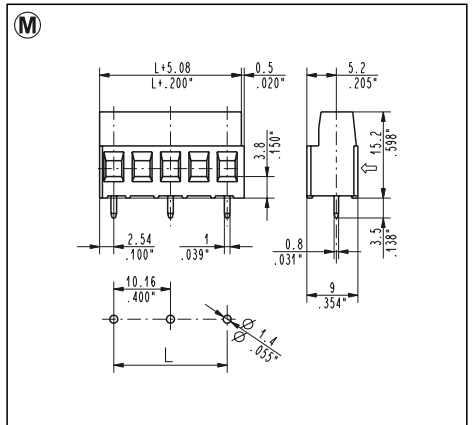
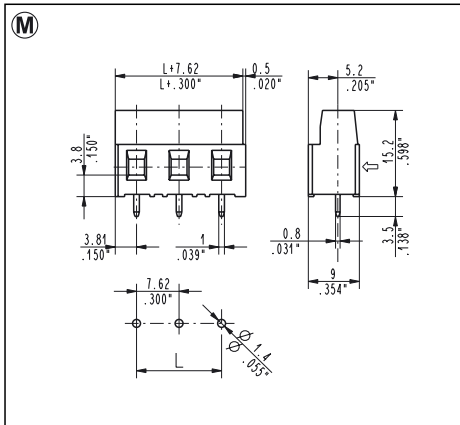
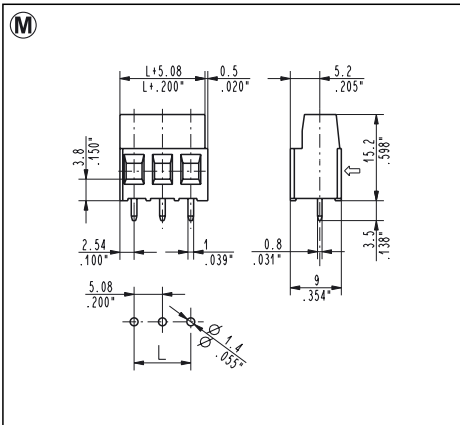
Poles	STD Code	L [mm]	L [inch]	Pcs/pack.	W [kg]
02	MSM02001	5.00	0.197	900	2.81
03	MSM03001	10.00	0.394	600	2.81
04	MSM04001	15.00	0.591	400	2.50
05	MSM05001	20.00	0.787	350	2.73
06	MSM06001	25.00	0.984	300	2.81
07	MSM07001	30.00	1.181	250	2.73
08	MSM08001	35.00	1.378	200	2.50
09	MSM09001	40.00	1.575	175	2.46
10	MSM10001	45.00	1.772	175	2.73
11	MSM11001	50.00	1.969	150	2.57
12	MSM12001	55.00	2.165	150	2.81
13	MSM13001	60.00	2.362	75	1.52
14	MSM14001	65.00	2.559	75	1.64
15	MSM15001	70.00	2.756	75	1.76
16	MSM16001	75.00	2.953	75	1.87
17	MSM17001	80.00	3.150	75	1.99
18	MSM18001	85.00	3.346	75	2.11
19	MSM19001	90.00	3.543	50	1.48
20	MSM20001	95.00	3.740	50	1.56
21	MSM21001	100.00	3.937	50	1.64
22	MSM22001	105.00	4.134	50	1.72
23	MSM23001	110.00	4.331	50	1.79
24	MSM24001	115.00	4.528	50	1.87
25	MSM25001	120.00	4.724	50	1.95

MSM_003 - 000T Straight, Side Entry
7.5 mm / .295" Pitch Weight per pole: 1.75 g

Poles	STD Code	L [mm]	L [inch]	Pcs/pack.	W [kg]
02	MSM02003	7.50	0.295	300	1.05
03	MSM03003	15.00	0.591	200	1.05
04	MSM04003	22.50	0.886	150	1.05

MSM_002 - 000T Straight, Side Entry
10 mm / .394" Pitch Weight per pole: 1.77 g

Poles	STD Code	L [mm]	L [inch]	Pcs/pack.	W [kg]
02	MSM02002	10.00	0.394	300	1.06
03	MSM03002	20.00	0.787	175	0.93
04	MSM04002	30.00	1.181	125	0.88
05	MSM05002	40.00	1.575	100	0.88
06	MSM06002	50.00	1.969	75	0.80
07	MSM07002	60.00	2.362	75	0.93
08	MSM08002	70.00	2.756	75	1.06
09	MSM09002	80.00	3.150	75	1.19
10	MSM10002	90.00	3.543	50	0.88
11	MSM11002	100.00	3.937	50	0.97
12	MSM12002	110.00	4.331	50	1.06
13	MSM13002	120.00	4.724	50	1.15



MSM_005 - 000T Straight, Side Entry
5.08 mm / .200" Pitch Weight per pole: 1.56 g

Poles	STD Code	L [mm]	L [inch]	Pcs/pack.	W [kg]
02	MSM02005	5.08	0.200	900	2.81
03	MSM03005	10.16	0.400	600	2.81
04	MSM04005	15.24	0.600	400	2.50
05	MSM05005	20.32	0.800	350	2.73
06	MSM06005	25.40	1.000	300	2.81
07	MSM07005	30.48	1.200	250	2.73
08	MSM08005	35.56	1.400	200	2.50
09	MSM09005	40.64	1.600	175	2.46
10	MSM10005	45.72	1.800	175	2.73
11	MSM11005	50.80	2.000	150	2.57
12	MSM12005	55.88	2.200	150	2.81
13	MSM13005	60.96	2.400	75	1.52
14	MSM14005	66.04	2.600	75	1.64
15	MSM15005	71.12	2.800	75	1.76
16	MSM16005	76.20	3.000	75	1.87
17	MSM17005	81.28	3.200	75	1.99
18	MSM18005	86.36	3.400	75	2.11
19	MSM19005	91.44	3.600	50	1.48
20	MSM20005	96.52	3.800	50	1.56
21	MSM21005	101.60	4.000	50	1.64
22	MSM22005	106.68	4.200	50	1.72
23	MSM23005	111.76	4.400	50	1.79
24	MSM24005	116.84	4.600	50	1.87
25	MSM25005	121.92	4.800	50	1.95

MSM_007 - 000T Straight, Side Entry
7.62 mm / .300" Pitch Weight per pole: 1.75 g

Poles	STD Code	L [mm]	L [inch]	Pcs/pack.	W [kg]
02	MSM02007	7.62	0.300	300	1.05
03	MSM03007	15.24	0.600	200	1.05

MSM_006 - 000T Straight, Side Entry
10.16 mm / .400" Pitch Weight per pole: 1.77 g

Poles	STD Code	L [mm]	L [inch]	Pcs/pack.	W [kg]
02	MSM02006	10.16	0.400	300	1.06
03	MSM03006	20.32	0.800	175	0.93
04	MSM04006	30.48	1.200	125	0.88
05	MSM05006	40.64	1.600	100	0.88
06	MSM06006	50.80	2.000	75	0.80
07	MSM07006	60.96	2.400	75	0.93
08	MSM08006	71.12	2.800	75	1.06
09	MSM09006	81.28	3.200	75	1.19
10	MSM10006	91.44	3.600	50	0.88
11	MSM11006	101.60	4.000	50	0.97
12	MSM12006	111.76	4.400	50	1.06
13	MSM13006	121.92	4.800	50	1.15

W [kg] : Approximate weight per box in kg