

MATERIAL

Body

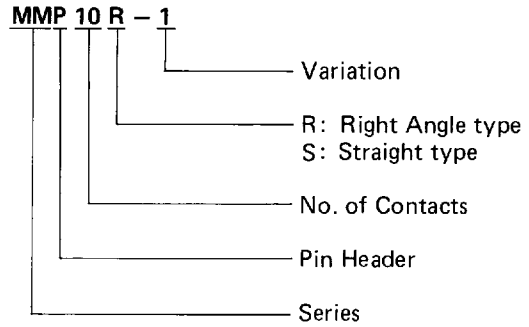
Pin Header
Socket Housing) Nylon
Color Black
Flammability Rating . . UL94V-0

Contact

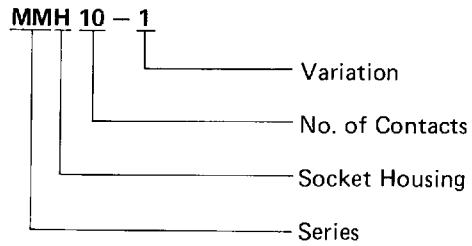
Pin Brass (Tin Alloy plated)
Socket Phosphor Bronze (Tin Alloy plated)

ORDERING INFORMATION

Pin Header



Socket Housing



PERFORMANCE CHARACTERISTICS

Operating Temperature $-25^{\circ}\text{C} \sim +85^{\circ}\text{C}$
Working Voltage A.C. 250V
Current Rating 1A
Contact Resistance $20\text{m}\Omega$ Max.
Insulation Resistance $1000\text{M}\Omega$ Min.
Dielectric Withstanding Voltage . . . A.C. 1000V (1 minute)
Durability Contact Resistance $50\text{m}\Omega$ Max.
after 20 insertions and withdrawals

DIMENSIONS

Pin Header (Right Angle type)

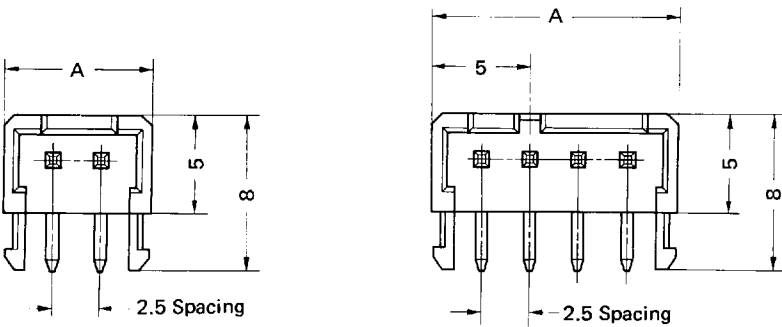


Fig. 1

Fig. 2

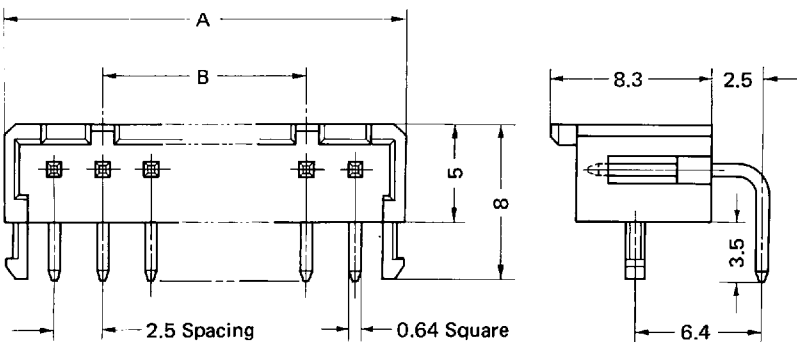


Fig. 3

Catalog Number	No. of Contacts	Fig. No.	Dimensions	
			A	B
MMP2R-1	2	1	7.5	—
MMP3R-1	3	2	10.0	—
MMP4R-1	4		12.5	—
MMP5R-1	5	3	15.0	5.0
MMP6R-1	6		17.5	7.5
MMP7R-1	7		20.0	10.0
MMP8R-1	8		22.5	12.5
MMP9R-1	9		25.0	15.0
MMP10R-1	10		27.5	17.5
MMP11R-1	11		30.0	20.0
MMP12R-1	12		32.5	22.5
MMP13R-1	13		35.0	25.0
MMP14R-1	14		37.5	27.5
MMP15R-1	15	40.0	30.0	
MMP16R-1	16	42.5	32.5	
MMP17R-1	17	45.0	35.0	
MMP18R-1	18	47.5	37.5	
MMP19R-1	19	50.0	40.0	
MMP20R-1	20	52.5	42.5	

NOTE: All dimensions in mm

Pin Header (Straight type)

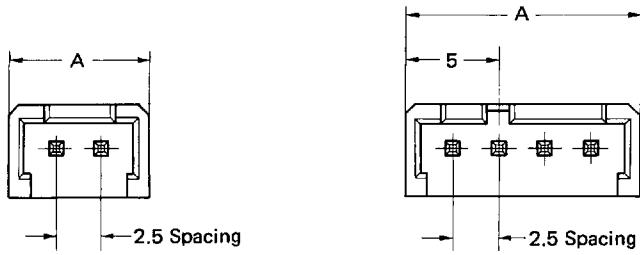


Fig. 1

Fig. 2

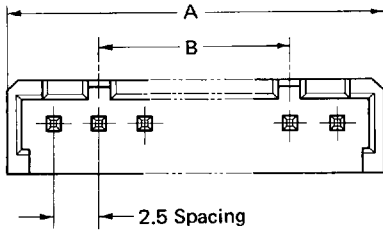
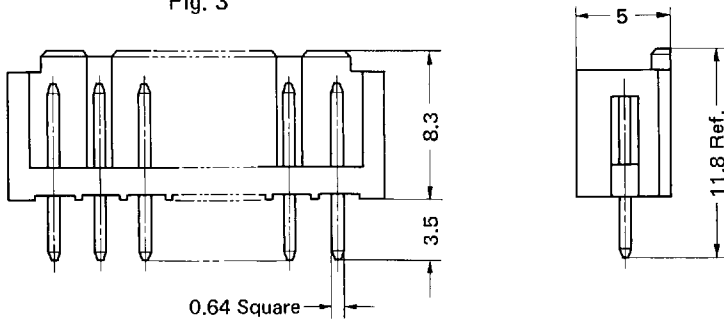


Fig. 3



Socket Housing

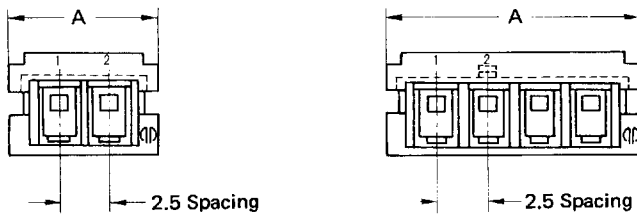


Fig. 1

Fig. 2

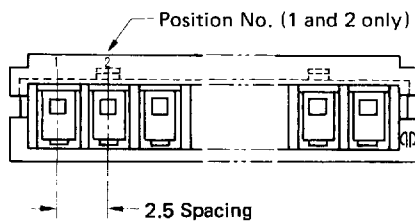
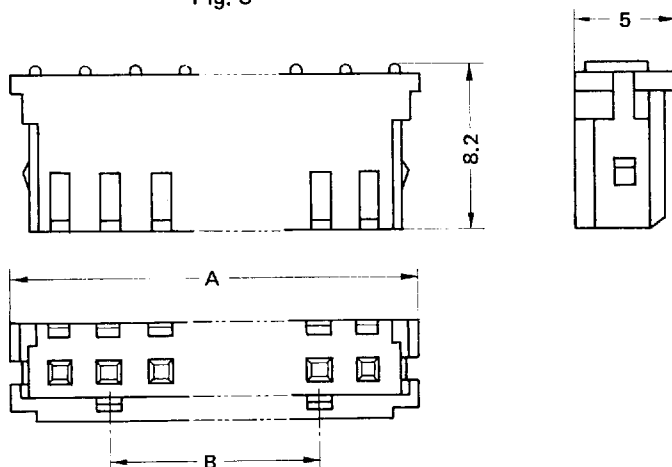


Fig. 3

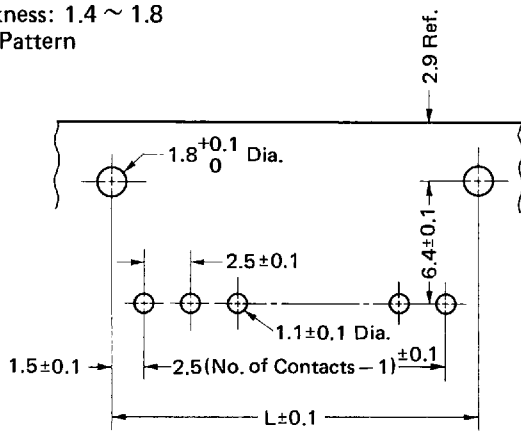


Catalog Number	No. of Contacts	Fig. No.	Dimensions	
			A	B
MMP2S-1	2	1	7.5	—
MMP3S-1	3	2	10.0	—
MMP4S-1	4		12.5	—
MMP5S-1	5	3	15.0	5.0
MMP6S-1	6		17.5	7.5
MMP7S-1	7		20.0	10.0
MMP8S-1	8		22.5	12.5
MMP9S-1	9		25.0	15.0
MMP10S-1	10		27.5	17.5
MMP11S-1	11		30.0	20.0
MMP12S-1	12		32.5	22.5
MMP13S-1	13		35.0	25.0
MMP14S-1	14		37.5	27.5
MMP15S-1	15		40.0	30.0
MMP16S-1	16		42.5	32.5
MMP17S-1	17		45.0	35.0
MMP18S-1	18	47.5	37.5	
MMP19S-1	19	50.0	40.0	
MMP20S-1	20	52.5	42.5	

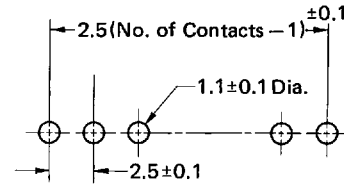
Catalog Number	No. of Contacts	Fig. No.	Dimensions	
			A	B
MMH2-1	2	1	7.5	—
MMH3-1	3	2	10.0	—
MMH4-1	4		12.5	—
MMH5-1	5	3	15.0	5.0
MMH6-1	6		17.5	7.5
MMH7-1	7		20.0	10.0
MMH8-1	8		22.5	12.5
MMH9-1	9		25.0	15.0
MMH10-1	10		27.5	17.5
MMH11-1	11		30.0	20.0
MMH12-1	12		32.5	22.5
MMH13-1	13		35.0	25.0
MMH14-1	14		37.5	27.5
MMH15-1	15		40.0	30.0
MMH16-1	16		42.5	32.5
MMH17-1	17		45.0	35.0
MMH18-1	18	47.5	37.5	
MMH19-1	19	50.0	40.0	
MMH20-1	20	52.5	42.5	

RECOMMENDED PC BOARD

- Thickness: 1.4 ~ 1.8
- Hole Pattern



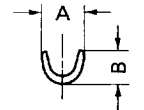
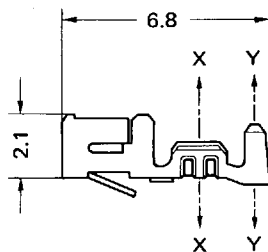
Right Angle type



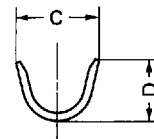
Straight type

No. of Contacts	2	3	4	5	6	7	8	9	10	11	12	13	14	15	16	17	18	19	20
L	5.5	8.0	10.5	13.0	15.5	18.0	20.5	23.0	25.5	28.0	30.5	33.0	35.5	38.0	40.5	43.0	45.5	48.0	50.5

CONTACT



Section X-X



Section Y-Y

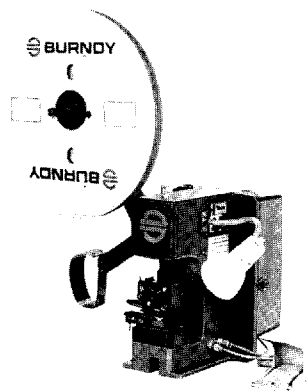
Catalog Number	Accommodated Wire			Dimensions				Installation Tool	
	Conductor Size (AWG)	Insulation Dia.	Strip Length	A	B	C	D	Manual	Semi-Auto
MMC28 - 1	#30 ~ #28	0.9 ~ 1.25	3.0 ± 0.5	1.1	0.95	2.2	1.7	Y24MHT	JCM-03K28
MMC24 - 1	#26 ~ #24	1.2 ~ 1.6		1.4	1.15	2.7	2.0		JCM-03K24

INSTALLATION TOOLING

● JCM - 03

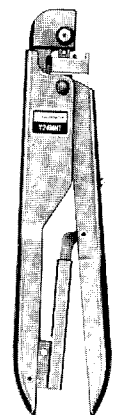
- Semi-automatic crimping machine
- Electrically operated to install strip feed contacts

Dimensions: 270^W x 410^D x 385^H
 Weight: 77.5kg
 Power: A.C. 100V 50/60Hz
 250W



● Y24MHT

- Manual crimping tool
- Pre-stripped wire (#30 ~ #24 AWG) and strip feed contacts can be installed and contacts can be cut away from the selvage strip.



NOTE: All dimensions in mm

BURNDY
JAPAN, Ltd.

5TH FLOOR, SHUWA-SHINAGAWA BLDG 26-33, 3-CHOME, TAKANAWA
 MINATO-KU, TOKYO, JAPAN TELEPHONE TOKYO 443-7212.
 TELEX NO. 242-5124 (BJTOK J). CABLE ADDRESS BURNDY JAPAN