

## MM54HC112/MM74HC112 Dual J-K Flip-Flops with Preset and Clear

### General Description

These high speed (30 MHz minimum) J-K Flip-Flops utilize advanced silicon-gate CMOS technology to achieve the low power consumption and high noise immunity of standard CMOS integrated circuits, along with the ability to drive 10 LS-TTL loads.

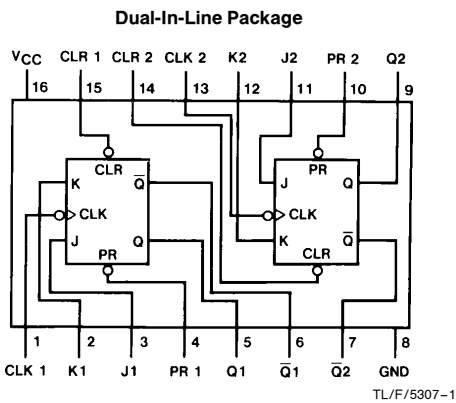
Each flip-flop has independent J, K, PRESET, CLEAR, and CLOCK inputs and Q and  $\bar{Q}$  outputs. These devices are edge sensitive to the clock input and change state on the negative going transition of the clock pulse. Clear and preset are independent of the clock and accomplished by a low logic level on the corresponding input.

The 54HC/74HC logic family is functionally as well as pin-out compatible with the standard 54LS/74LS logic family. All inputs are protected from damage due to static discharge by internal diode clamps to  $V_{CC}$  and ground.

### Features

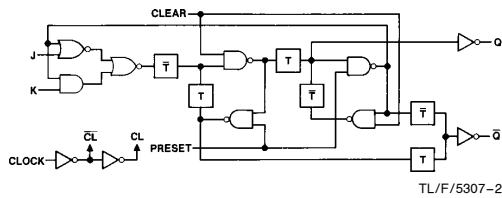
- Typical propagation delay: 16 ns
- Wide operating voltage range
- Low input current: 1  $\mu$ A maximum
- Low quiescent current: 40  $\mu$ A (74HC Series)
- High output drive: 10 LS-TTL loads

### Connection and Logic Diagrams



Top View

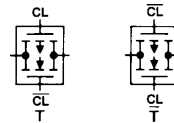
Order Number MM54HC112 or MM74HC112



### Truth Table

| Inputs |     |     |   |   | Outputs |            |
|--------|-----|-----|---|---|---------|------------|
| PR     | CLR | CLK | J | K | Q       | $\bar{Q}$  |
| L      | H   | X   | X | X | H       | L          |
| H      | L   | X   | X | X | L       | H          |
| L      | L   | X   | X | X | L*      | L*         |
| H      | H   | ↓   | L | L | Q0      | $\bar{Q}0$ |
| H      | H   | ↓   | H | L | H       | L          |
| H      | H   | ↓   | L | H | L       | H          |
| H      | H   | ↓   | H | H | TOGGLE  | TOGGLE     |
| H      | H   | H   | X | X | Q0      | $\bar{Q}0$ |

\*This is an unstable condition, and is not guaranteed



## Absolute Maximum Ratings (Notes 1 & 2)

If Military/Aerospace specified devices are required, please contact the National Semiconductor Sales Office/Distributors for availability and specifications.

|  |                         |
|--|-------------------------|
| Supply Voltage ( $V_{CC}$ )                      | -0.5 to +7.0V           |
| DC Input Voltage ( $V_{IN}$ )                    | -1.5 to $V_{CC} + 1.5V$ |
| DC Output Voltage ( $V_{OUT}$ )                  | -0.5 to $V_{CC} + 0.5V$ |
| Clamp Diode Current ( $I_{IK}, I_{OK}$ )         | $\pm 20$ mA             |
| DC Output Current, per pin ( $I_{OUT}$ )         | $\pm 25$ mA             |
| DC $V_{CC}$ or GND Current, per pin ( $I_{CC}$ ) | $\pm 50$ mA             |
| Storage Temperature Range ( $T_{STG}$ )          | -65°C to +150°C         |
| Power Dissipation ( $P_D$ ) (Note 3)             | 600 mW                  |
| S.O. Package only                                | 500 mW                  |
| Lead Temp. ( $T_L$ ) (Soldering 10 seconds)      | 260°C                   |

## Operating Conditions

|  | Min | Max      | Units |
|--|-----|----------|-------|
| Supply Voltage ( $V_{CC}$ )                      | 2   | 6        | V     |
| DC Input or Output Voltage ( $V_{IN}, V_{OUT}$ ) | 0   | $V_{CC}$ | V     |
| Operating Temp. Range ( $T_A$ )                  |     |          |       |
| MM74HC   | -40 | +85      | °C    |
| MM54HC   | -55 | +125     | °C    |
| Input Rise or Fall Times ( $t_r, t_f$ )          |     |          |       |
| $V_{CC} = 2.0V$                                  |     | 1000     | ns    |
| $V_{CC} = 4.5V$                                  |     | 500      | ns    |
| $V_{CC} = 6.0V$                                  |     | 400      | ns    |

## DC Electrical Characteristics (Note 4)

| Symbol   | Parameter                         | Conditions  | $V_{CC}$ | $T_A = 25^\circ C$          |                   |                              | Units     |         |
|----------|-----------------------------------|---|----------|-----------------------------|-------------------|------------------------------|-----------|---------|
|          |                                   |   |          | 74HC                        |                   | 54HC                         |           |         |
|          |                                   |   |          | $T_A = -40$ to $85^\circ C$ |                   | $T_A = -55$ to $125^\circ C$ |           |         |
|          |                                   |   |          | Typ                         | Guaranteed Limits |                              |           |         |
| $V_{IH}$ | Minimum High Level Input Voltage  |   | 2.0V     |                             | 1.5               | 1.5                          | 1.5       | V       |
|          |                                   |   | 4.5V     |                             | 3.15              | 3.15                         | 3.15      | V       |
|          |                                   |   | 6.0V     |                             | 4.2               | 4.2                          | 4.2       | V       |
| $V_{IL}$ | Maximum Low Level Input Voltage** |   | 2.0V     |                             | 0.5               | 0.5                          | 0.5       | V       |
|          |                                   |   | 4.5V     |                             | 1.35              | 1.35                         | 1.35      | V       |
|          |                                   |   | 6.0V     |                             | 1.8               | 1.8                          | 1.8       | V       |
| $V_{OH}$ | Minimum High Level Output Voltage | $V_{IN} = V_{IH}$ or $V_{IL}$<br>$ I_{OUT}  \leq 20 \mu A$                          | 2.0V     | 2.0                         | 1.9               | 1.9                          | 1.9       | V       |
|          |                                   |   | 4.5V     | 4.5                         | 4.4               | 4.4                          | 4.4       | V       |
|          |                                   |   | 6.0V     | 6.0                         | 5.9               | 5.9                          | 5.9       | V       |
|          |                                   | $V_{IN} = V_{IH}$ or $V_{IL}$<br>$ I_{OUT}  \leq 4.0$ mA<br>$ I_{OUT}  \leq 5.2$ mA | 4.5V     | 4.2                         | 3.98              | 3.84                         | 3.7       | V       |
|          |                                   |   | 6.0V     | 5.7                         | 5.48              | 5.34                         | 5.2       | V       |
|          |                                   |   |          |                             |                   |                              |           |         |
| $V_{OL}$ | Maximum Low Level Output Voltage  | $V_{IN} = V_{IH}$ or $V_{IL}$<br>$ I_{OUT}  \leq 20 \mu A$                          | 2.0V     | 0                           | 0.1               | 0.1                          | 0.1       | V       |
|          |                                   |   | 4.5V     | 0                           | 0.1               | 0.1                          | 0.1       | V       |
|          |                                   |   | 6.0V     | 0                           | 0.1               | 0.1                          | 0.1       | V       |
|          |                                   | $V_{IN} = V_{IH}$ or $V_{IL}$<br>$ I_{OUT}  \leq 4.0$ mA<br>$ I_{OUT}  \leq 5.2$ mA | 4.5V     | 0.2                         | 0.26              | 0.33                         | 0.4       | V       |
|          |                                   |   | 6.0V     | 0.2                         | 0.26              | 0.33                         | 0.4       | V       |
|          |                                   |   |          |                             |                   |                              |           |         |
| $I_{IN}$ | Maximum Input Current             | $V_{IN} = V_{CC}$ or GND  | 6.0V     |                             | $\pm 0.1$         | $\pm 1.0$                    | $\pm 1.0$ | $\mu A$ |
| $I_{CC}$ | Maximum Quiescent Supply Current  | $V_{IN} = V_{CC}$ or GND<br>$I_{OUT} = 0 \mu A$                                     | 6.0V     |                             | 4.0               | 40                           | 80        | $\mu A$ |

**Note 1:** Absolute Maximum Ratings are those values beyond which damage to the device may occur.

**Note 2:** Unless otherwise specified all voltages are referenced to ground.

**Note 3:** Power Dissipation temperature derating — plastic "N" package: -12 mW/°C from 65°C to 85°C; ceramic "J" package: -12 mW/°C from 100°C to 125°C.

**Note 4:** For a power supply of  $5V \pm 10\%$  the worst case output voltages ( $V_{OH}$  and  $V_{OL}$ ) occur for HC at 4.5V. Thus the 4.5V values should be used when designing with this supply. Worst case  $V_{IH}$  and  $V_{IL}$  occur at  $V_{CC} = 5.5V$  and 4.5V respectively. (The  $V_{IH}$  value at 5.5V is 3.85V.) The worst case leakage current ( $I_{IN}$ ,  $I_{CC}$ , and  $I_{OZ}$ ) occur for CMOS at the higher voltage and so the 6.0V values should be used.

\*\* $V_{IL}$  limits are currently tested at 20% of  $V_{CC}$ . The above  $V_{IL}$  specification (30% of  $V_{CC}$ ) will be implemented no later than Q1, CY'89.

### AC Electrical Characteristics $V_{CC}=5V, T_A=25^{\circ}C, C_L=15\text{ pF}, t_r=t_f=6\text{ ns}$

| Symbol             | Parameter   | Conditions | Typ | Guaranteed Limit | Units |
|--------------------|---|------------|-----|------------------|-------|
| $f_{MAX}$          | Maximum Operating Frequency                         |            | 50  | 30               | MHz   |
| $t_{PHL}, t_{PLH}$ | Maximum Propagation Delay, Clock to Q or $\bar{Q}$  |            | 16  | 21               | ns    |
| $t_{PHL}, t_{PLH}$ | Maximum Propagation Delay, Clear to Q or $\bar{Q}$  |            | 21  | 26               | ns    |
| $t_{PHL}, t_{PLH}$ | Maximum Propagation Delay, Preset to Q or $\bar{Q}$ |            | 23  | 28               | ns    |
| $t_{REM}$          | Minimum Removal Time, Preset or Clear to Clock      |            | 10  | 20               | ns    |
| $t_s$              | Minimum Setup Time J or K to Clock                  |            | 14  | 20               | ns    |
| $t_H$              | Minimum Hold Time J or K from Clock                 |            | -3  | 0                | ns    |
| $t_W$              | Minimum Pulse Width Clock Preset or Clear           |            | 10  | 16               | ns    |

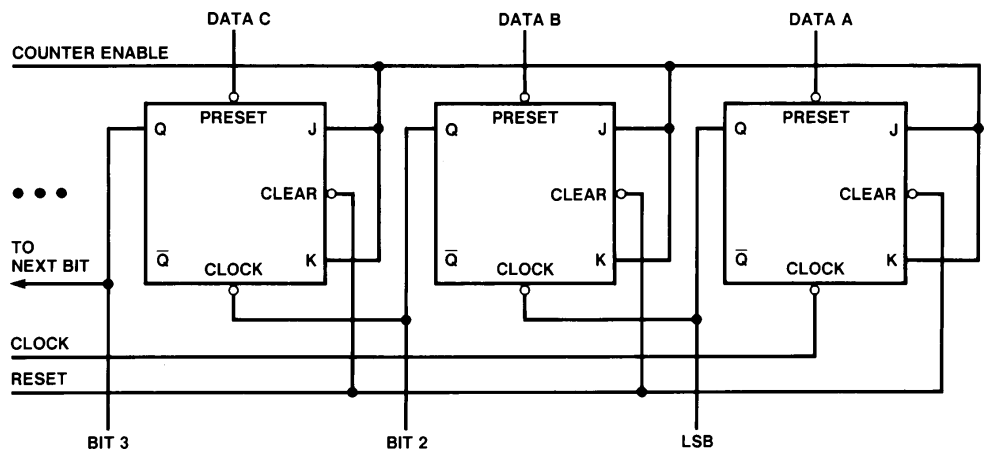
### AC Electrical Characteristics $C_L=50\text{ pF}, t_r=t_f=6\text{ ns}$ (unless otherwise specified)

| Symbol             | Parameter   | Conditions      | $V_{CC}$ | $T_A=25^{\circ}C$ |                   | $74HC$                          | $54HC$                           | Units |
|--------------------|---|-----------------|----------|-------------------|-------------------|---------------------------------|----------------------------------|-------|
|                    |   |                 |          |                   |                   | $T_A=-40\text{ to }85^{\circ}C$ | $T_A=-55\text{ to }125^{\circ}C$ |       |
|                    |   |                 |          | Typ               | Guaranteed Limits |                                 |                                  |       |
| $f_{MAX}$          | Maximum Operating Frequency                         |                 | 2.0V     | 9                 | 5                 | 4                               | 3                                | MHz   |
|                    |   |                 | 4.5V     | 45                | 27                | 21                              | 18                               | MHz   |
|                    |   |                 | 6.0V     | 53                | 31                | 24                              | 20                               | MHz   |
| $t_{PHL}, t_{PLH}$ | Maximum Propagation Delay, Clock to Q or $\bar{Q}$  |                 | 2.0V     | 100               | 126               | 160                             | 183                              | ns    |
|                    |   |                 | 4.5V     | 20                | 25                | 32                              | 37                               | ns    |
|                    |   |                 | 6.0V     | 17                | 21                | 27                              | 32                               | ns    |
| $t_{PHL}, t_{PLH}$ | Maximum Propagation Delay, Clear to Q or $\bar{Q}$  |                 | 2.0V     | 126               | 155               | 191                             | 250                              | ns    |
|                    |   |                 | 4.5V     | 25                | 31                | 39                              | 47                               | ns    |
|                    |   |                 | 6.0V     | 21                | 26                | 33                              | 40                               | ns    |
| $t_{PHL}, t_{PLH}$ | Maximum Propagation Delay, Preset to Q or $\bar{Q}$ |                 | 2.0V     | 137               | 165               | 210                             | 240                              | ns    |
|                    |   |                 | 4.5V     | 27                | 33                | 41                              | 50                               | ns    |
|                    |   |                 | 6.0V     | 23                | 28                | 35                              | 40                               | ns    |
| $t_{REM}$          | Minimum Removal Time Preset or Clear to Clock       |                 | 2.0V     | 55                | 100               | 125                             | 150                              | ns    |
|                    |   |                 | 4.5V     | 11                | 20                | 25                              | 30                               | ns    |
|                    |   |                 | 6.0V     | 9.4               | 17                | 21                              | 25                               | ns    |
| $t_s$              | Minimum Setup Time J or K to Clock                  |                 | 2.0V     | 77                | 100               | 125                             | 150                              | ns    |
|                    |   |                 | 4.5V     | 15                | 20                | 25                              | 30                               | ns    |
|                    |   |                 | 6.0V     | 13                | 17                | 21                              | 25                               | ns    |
| $t_H$              | Minimum Hold Time J or K from Clock                 |                 | 2.0V     | -3                | 0                 | 0                               | 0                                | ns    |
|                    |   |                 | 4.5V     | -3                | 0                 | 0                               | 0                                | ns    |
|                    |   |                 | 6.0V     | -3                | 0                 | 0                               | 0                                | ns    |
| $t_W$              | Minimum Pulse Width Preset, Clear or Clock          |                 | 2.0V     | 55                | 80                | 100                             | 120                              | ns    |
|                    |   |                 | 4.5V     | 11                | 16                | 20                              | 24                               | ns    |
|                    |   |                 | 6.0V     | 9                 | 14                | 18                              | 20                               | ns    |
| $t_{TLH}, t_{THL}$ | Maximum Output Rise and Fall Time                   |                 | 2.0V     | 30                | 75                | 95                              | 110                              | ns    |
|                    |   |                 | 4.5V     | 8                 | 15                | 19                              | 22                               | ns    |
|                    |   |                 | 6.0V     | 7                 | 13                | 16                              | 19                               | ns    |
| $t_r, t_f$         | Maximum Input Rise and Fall Time                    |                 | 2.0V     |                   | 1000              | 1000                            | 1000                             | ns    |
|                    |   |                 | 4.5V     |                   | 500               | 500                             | 500                              | ns    |
|                    |   |                 | 6.0V     |                   | 400               | 400                             | 400                              | ns    |
| $C_{PD}$           | Power Dissipation Capacitance (Note 5)              | (per flip-flop) |          | 80                |                   |                                 |                                  | pF    |
| $C_{IN}$           | Maximum Input Capacitance                           |                 |          | 5                 | 10                | 10                              | 10                               | pF    |

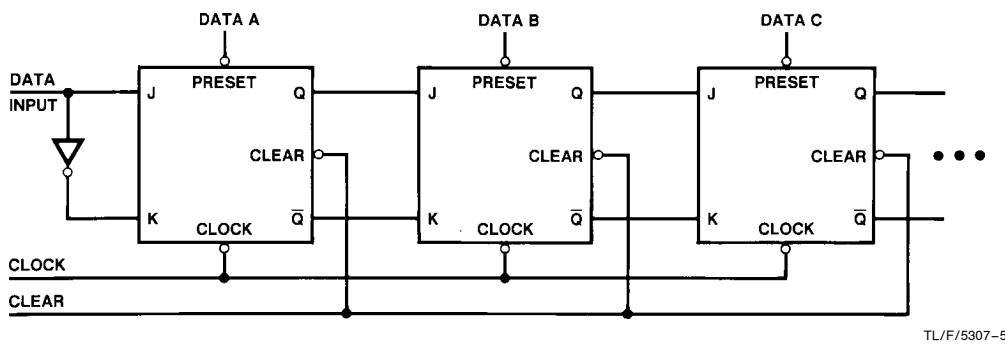
**Note 5:**  $C_{PD}$  determines the no load dynamic power consumption,  $P_D = C_{PD} V_{CC}^2 f + I_{CC} V_{CC}$ , and the no load dynamic current consumption,  $I_S = C_{PD} V_{CC} f + I_{CC}$ .

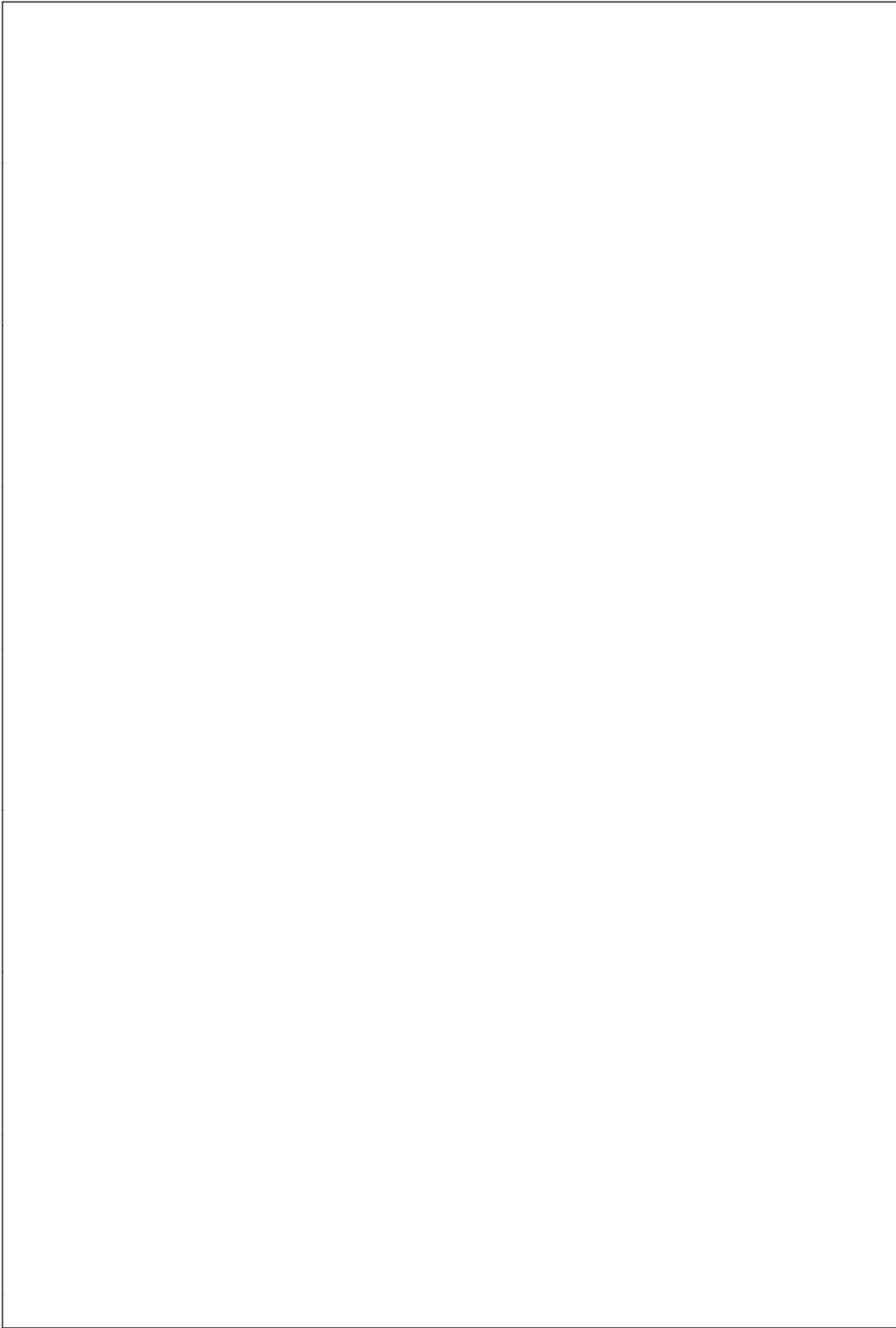
## Typical Applications

N Bit Presettable Ripple Counter with Enable and Reset

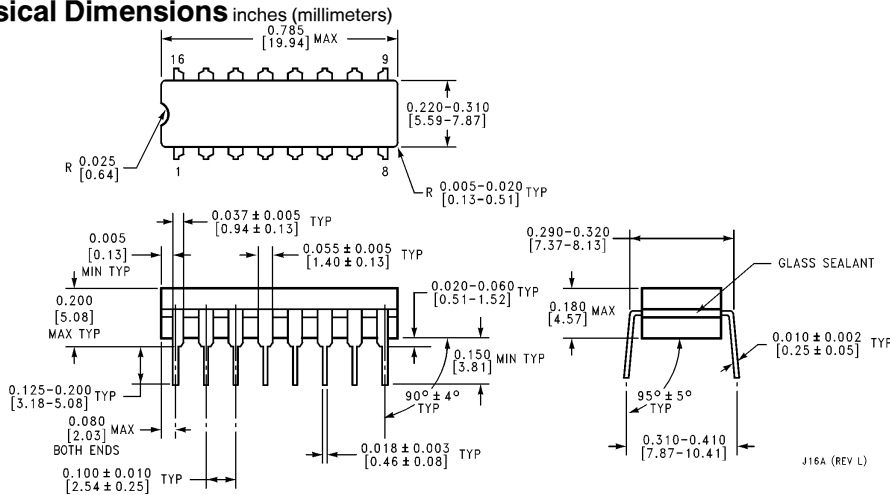


N Bit Parallel Load/Serial Load Shift Register with Clear

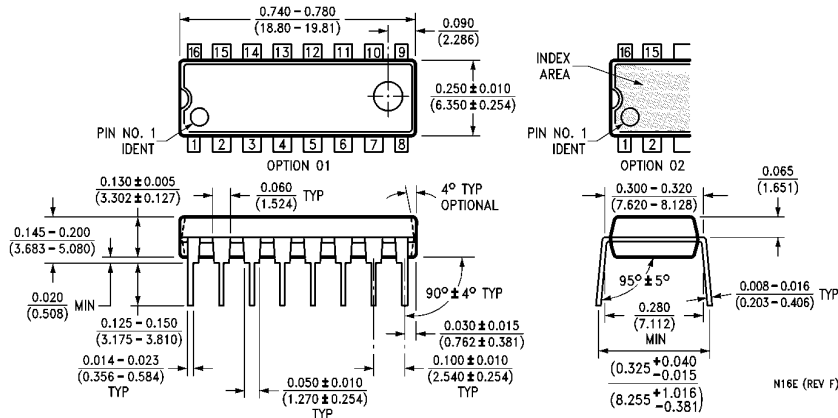




**Physical Dimensions** inches (millimeters)



**Ceramic Dual-In-Line Package (J)**  
**Order Number MM54HC112J or MM74HC112J**  
**NS Package Number J16A**



**Molded Dual-In-Line Package (N)**  
**Order Number MM74HC112N**  
**NS Package Number N16E**

**LIFE SUPPORT POLICY**

NATIONAL'S PRODUCTS ARE NOT AUTHORIZED FOR USE AS CRITICAL COMPONENTS IN LIFE SUPPORT DEVICES OR SYSTEMS WITHOUT THE EXPRESS WRITTEN APPROVAL OF THE PRESIDENT OF NATIONAL SEMICONDUCTOR CORPORATION. As used herein:

1. Life support devices or systems are devices or systems which, (a) are intended for surgical implant into the body, or (b) support or sustain life, and whose failure to perform, when properly used in accordance with instructions for use provided in the labeling, can be reasonably expected to result in a significant injury to the user.
2. A critical component is any component of a life support device or system whose failure to perform can be reasonably expected to cause the failure of the life support device or system, or to affect its safety or effectiveness.



**National Semiconductor Corporation**  
 1111 West Bardin Road  
 Arlington, TX 76017  
 Tel: (800) 272-9959  
 Fax: (800) 737-7018

**National Semiconductor Europe**  
 Fax: (+49) 0-180-530 85 86  
 Email: cnjwge@tevm2.nsc.com  
 Deutsch Tel: (+49) 0-180-530 85 85  
 English Tel: (+49) 0-180-532 78 32  
 Français Tel: (+49) 0-180-532 93 58  
 Italiano Tel: (+49) 0-180-534 16 80

**National Semiconductor Hong Kong Ltd.**  
 19th Floor, Straight Block,  
 Ocean Centre, 5 Canton Rd.  
 Tsimshatsui, Kowloon  
 Hong Kong  
 Tel: (852) 2737-1600  
 Fax: (852) 2736-9960

**National Semiconductor Japan Ltd.**  
 Tel: 81-043-299-2309  
 Fax: 81-043-299-2408

National does not assume any responsibility for use of any circuitry described, no circuit patent licenses are implied and National reserves the right at any time without notice to change said circuitry and specifications.