

BIPOLAR BUS ARBITER

MBL 8289
MBL 8289-1

April 1986
Edition 4.0

BIPOLAR BUS ARBITER FOR MBL 8086/8088/80186/80188/8089

The Fujitsu MBL 8289 Bus Arbiter is a 20-pin, 5-volt-only bipolar component for use with medium to large MBL 8086/8088/80186/80188 multi-master/multiprocessing systems. The MBL 8289 provides system bus arbitration for systems with multiple bus masters, such as an MBL 8086/8088/80186/80188 CPU with MBL 8089 IOP in its REMOTE mode, while providing bipolar buffering and drive capability.

- Provides Multi-Master System Bus Protocol
- Synchronizes MBL 8086/8088/80186/80188/8089 Processors with Multi-Master Bus:
 - 5MHz, 8MHz (MBL 8086/8088/8089), and 6MHz (MBL 80186/80188) with MBL 8289
 - 10MHz (MBL 8086/8088) and 8MHz (MBL 80186/80188) with MBL 8289-1
- Provides Simple Interface with MBL 8288 Bus Controllers
- Four Operating Modes for Flexible System Configuration
- Compatible with Intel Bus Standard MULTI-BUS*
- Provides System Bus Arbitration for MBL 8089 IOP in Remote Mode
- Two Package Options:
 - 20-Pin Cerdip (Suffix: -CZ)
 - 20-Pin Plastic DIP (Suffix: -P)

Fig. 1 - BLOCK DIAGRAM

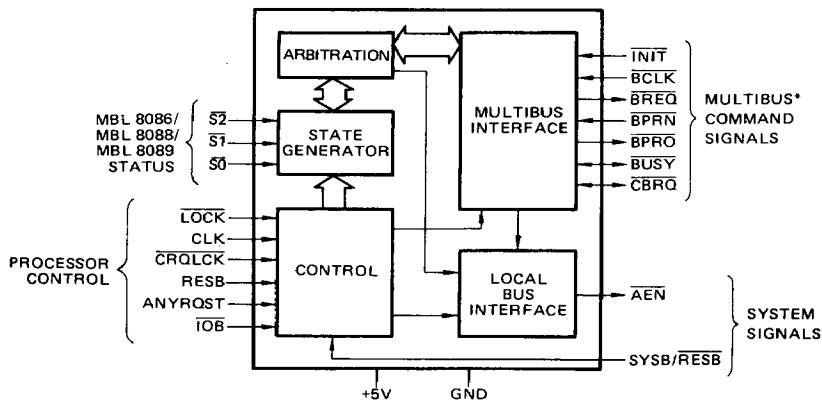


Fig. 2 - PIN CONFIGURATION

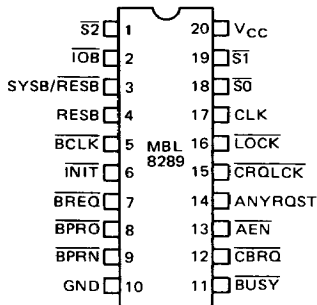
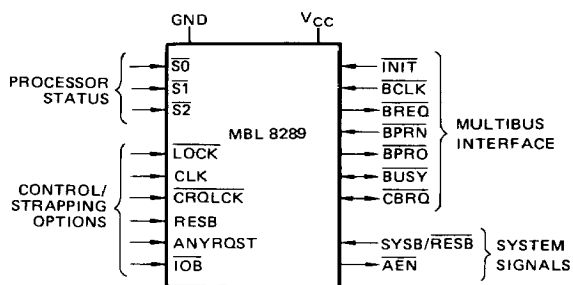


Fig. 3 - FUNCTIONAL PINOUT



*Trade Mark of Intel Corporation
Portion Reprinted by permission of Intel Corporation
© Intel Corporation, 1983

PIN DESCRIPTION

TABLE 1 – PIN DESCRIPTION

Symbol	Type	Name and Function
V _{CC}		Power: +5V supply ±10%.
GND		Ground.
S ₀ , S ₁ , S ₂	I	Status Input Pins: The status input pins from an MBL 8086, MBL 8088, MBL 80186, MBL 80188 or MBL 8089 processor. The MBL 8289 decodes these pins to initiate bus request and surrender actions. (See Table 2.)
CLK	I	Clock: From the MBL 8284A clock chip and serves to establish when bus arbiter actions are initiated.
LOCK	I	Lock: A processor generated signal which when activated (low) prevents the arbiter from surrendering the multi-master system bus to any other bus arbiter, regardless of its priority.
CRQLCK	I	Common Request Lock: An active low signal which prevents the arbiter from surrendering the multi-master system bus to any other bus arbiter requesting the bus through the CBRQ input pin.
RESB	I	Resident Bus: A strapping option to configure the arbiter to operate in systems having both a multi-master system bus and a Resident Bus. Strapped high, the multi-master system bus is requested or surrendered as a function of the SYSB/RESB input pin. Strapped low, the SYSB/RESB input is ignored.
ANYRQST	I	Any Request: A strapping option which permits the multi-master system bus to be surrendered to a lower priority arbiter as if it were an arbiter of higher priority (i.e., when a lower priority arbiter requests the use of the multi-master system bus, the bus is surrendered as soon as it is possible). When ANYRQST is strapped low, the bus is surrendered according to Table 2. If ANYRQST is strapped high and CBRQ is activated, the bus is surrendered at the end of the present bus cycle. Strapping CBRQ low and ANYRQST high forces the MBL 8289 arbiter to surrender the multi-master system bus after each transfer cycle. Note that when surrender occurs BREQ is driven false (high).
IOB	I	IO Bus: A strapping option which configures the MBL 8289 Arbiter to operate in systems having both an IO Bus (Peripheral Bus) and a multi-master system bus. The arbiter requests and surrenders the use of the multi-master system bus as a function of the status line, S ₂ . The multi-master system bus is permitted to be surrendered while the processor is performing IO commands and is requested whenever the processor performs a memory command. Interrupt cycles are assumed as coming from the peripheral bus and are treated as an IO command.

Symbol	Type	Name and Function
AEN	O	Address Enable: The output of the MBL 8289 Arbiter to the processor's address latches to the MBL 8288 Bus Controller and 8284A Clock Generator. AEN serves to instruct the Bus Controller and address latches when to tri-state their output drivers.
SYSB/ RESB	I	System Bus/Resident Bus: An input signal when the arbiter is configured in the S.R. Mode (RESB is strapped high) which determines when the multi-master system bus is requested and multi-master system bus surrendering is permitted. The signal is intended to originate from a form of address-mapping circuitry, as a decoder or PROM attached to the resident address bus. Signal transitions and glitches are permitted on this pin from φ1 of T4 to φ1 of T2 of the processor cycle. During the period from φ1 of T2 to φ1 of T4, only clean transitions are permitted on this pin (no glitches). If a glitch occurs, the arbiter may capture or miss it, and the multi-master system bus may be requested or surrendered, depending upon the state of the glitch. The arbiter requests the multi-master system bus in the S.R. Mode when the state of the SYSB/RESB pin is high and permits the bus to be surrendered when this pin is low.
CBRQ	I/O	Common Bus Request: An input signal which instructs the arbiter if there are any other arbiters of lower priority requesting the use of the multi-master system bus. The CBRQ pins (open-collector output) of all the MBL 8289 Bus Arbiters which surrender to the multi-master system bus upon request are connected together. The Bus Arbiter running the current transfer cycle will not itself pull the CBRQ line low. Any other arbiter connected to the CBRQ line can request the multi-master system bus. The arbiter presently running the current transfer cycle drops its BREQ signal and surrenders the bus whenever the proper surrender conditions exist. Strapping CBRQ low and ANYRQST high allows the multi-master system bus to be surrendered after each transfer cycle. See the pin definition of ANYRQST.
INIT	I	Initialize: An active low multi-master system bus input signal used to reset all the bus arbiters on the multi-master system bus. After initialization, no arbiters have the use of the multi-master system bus.
BCLK	I	Bus Clock: The multi-master system bus clock to which all multi-master system bus interface signals are synchronized.

1

TABLE 1 – PIN DESCRIPTION (Continued)

Symbol	Type	Name and Function
BREQ	O	Bus Request: An active low output signal in the parallel Priority Resolving Scheme which the arbiter activates to request the use of the multi-master system bus.
BPRN	I	Bus Priority In: The active low signal returned to the arbiter to instruct if that it may acquire the multi-master system bus on the next falling edge of BCLK. BPRN indicates to the arbiter that it is the highest priority requesting arbiter presently on the bus. The loss of BPRN instructs the arbiter that it has lost priority to a higher priority arbiter.
BPRO	O	Bus Priority Out: An active low output signal used in the serial priority resolving scheme where BPRO is daisy-chained to BPRN of the next lower priority arbiter.

Symbol	Type	Name and Function
BUSY	I/O	Busy: An active low open collector multi-master system bus interface signal used to instruct all the arbiters on the bus when the multi-master system bus is available. When the multi-master system bus is available the highest requesting arbiter (determined by BPRN) seizes the bus and pulls BUSY low to keep other arbiters off of the bus. When the arbiter is done with the bus, it releases the BUSY signal, permitting it to go high and thereby allowing another arbiter to acquire the multi-master system bus.

FUNCTIONAL DESCRIPTION

The MBL 8289 Bus Arbiter operates in conjunction with the MBL 8288 Bus Controller to interface MBL 8086/8088/80186/188 processors to a multi-master system bus (both the MBL 8086 and MBL 8088 are configured in their max mode). The processor is unaware of the arbiter's existence and issues commands as though it has exclusive use of the system bus. If the processor does not have the use of the multi-master system bus, the arbiter prevents the Bus Controller (MBL 8288), the data transceivers and the address latches from accessing the system bus (e.g. all bus driver outputs are forced into the high impedance state). Since the command sequence was not issued by the MBL 8288, the system bus will appear as "Not Ready" and the processor will enter wait states. The processor will remain in Wait until the Bus Arbiter acquires the use of the multi-master system bus whereupon the arbiter will allow the bus controller, the data transceivers, and the address latches to access the system. Typically, once the command has been issued and a data transfer has taken place, a transfer acknowledgment (XACK) is returned to the processor to indicate "READY" from the accessed slave device. The processor then completes its transfer cycle. Thus the arbiter serves to multiplex a processor (or bus master) onto a multi-master system bus and avoid contention problems between bus masters.

ARBITRATION BETWEEN BUS MASTERS

In general, higher priority masters obtain the bus when a lower priority master completes its present transfer cycle. Lower priority bus masters obtain the bus when a higher priority master is not accessing the system bus. A strapping option (ANYRQST) is provided to allow the arbiter

to surrender the bus to a lower priority master as though it were a master of higher priority. If there are no other bus masters requesting the bus, the arbiter maintains the bus so long as its processor has not entered the HALT State. The arbiter will not voluntarily surrender the system bus and has to be forced off by another master's bus request, the HALT State being the only exception. Additional strapping options permit other modes of operation wherein the multi-master system bus is surrendered or requested under different sets of conditions.

PRIORITY RESOLVING TECHNIQUES

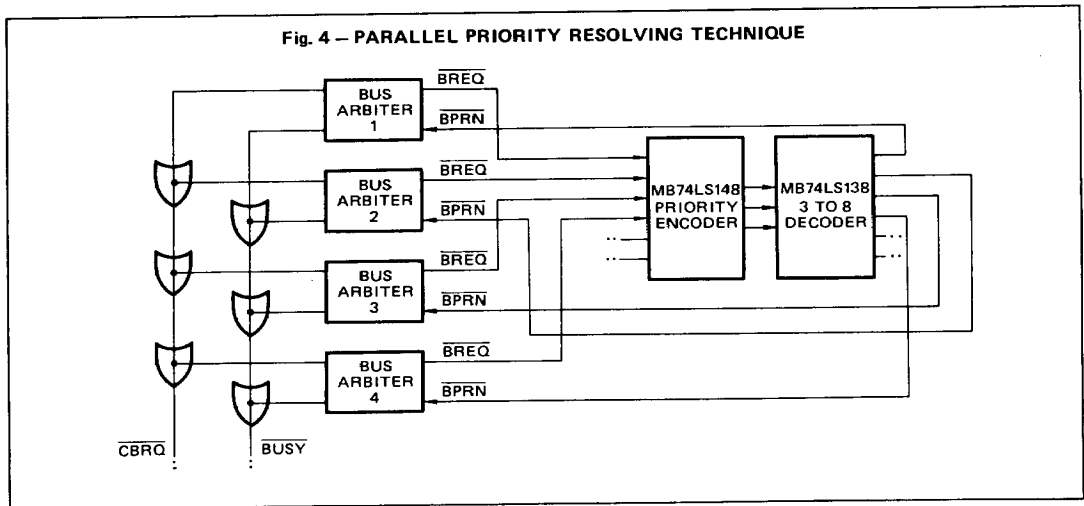
Since there can be many bus masters on a multi-master system bus, some means of resolving priority between bus masters simultaneously requesting the bus must be provided. The MBL 8289 Bus Arbiter provides several resolving techniques. All the techniques are based on a priority concept that at a given time one bus master will have priority above all the rest. There are provisions for using parallel priority resolving techniques, serial priority resolving techniques, and rotating priority techniques.

PARALLEL PRIORITY RESOLVING

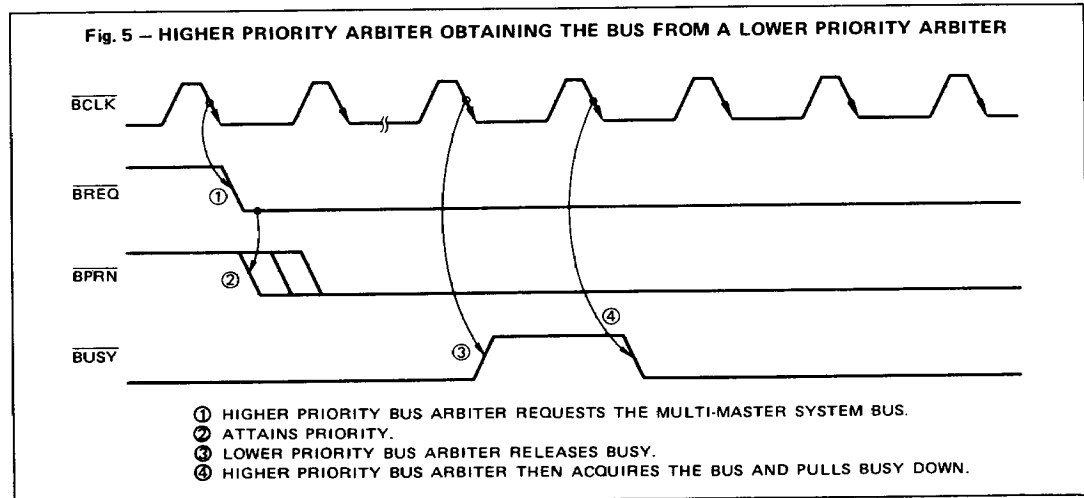
The parallel priority resolving technique uses a separate bus request line (BREQ) for each arbiter on the multi-master system bus, see Figure 4. Each BREQ line enters into a priority encoder which generates the binary address of the highest priority BREQ line which is active. The binary address is decoded by a decoder to select the corresponding BPRN (Bus Priority In) line to be returned to the highest priority requesting arbiter. The arbiter receiving priority (BPRN true) then allows its associated bus master

onto the multi-master system bus as soon as it becomes available (i.e., the bus is no longer busy). When one bus arbiter gains priority over another arbiter it cannot immediately seize the bus, it must wait until the present bus transaction is complete. Upon completing its transaction the present bus occupant recognizes that it no longer has priority and surrenders the bus by releasing $\overline{\text{BUSY}}$. $\overline{\text{BUSY}}$ is an active low "OR" tied signal line which goes to every

bus arbiter on the system bus. When $\overline{\text{BUSY}}$ goes inactive (high), the arbiter which presently has bus priority ($\overline{\text{BPRN}}$ true) then seizes the bus and pulls $\overline{\text{BUSY}}$ low to keep other arbiters off of the bus. See waveform timing diagram, Figure 5. Note that all multi-master system bus transactions are synchronized to the bus clock ($\overline{\text{BCLK}}$). This allows the parallel priority resolving circuitry or any other priority resolving scheme employed to settle.

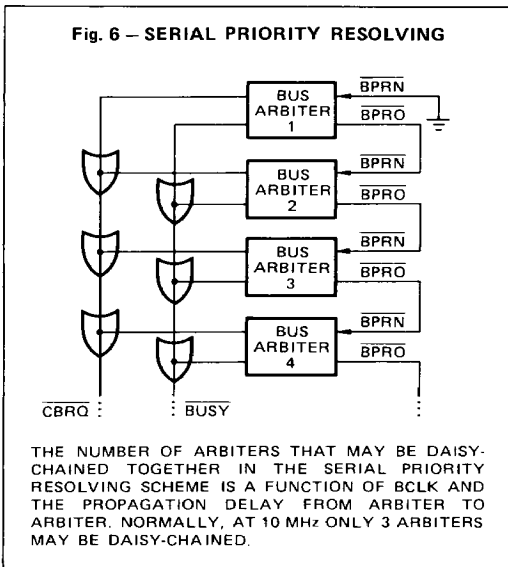


1



SERIAL PRIORITY RESOLVING

The serial priority resolving technique eliminates the need for the priority encoder-decoder arrangement by daisy-chaining the bus arbiters together, connecting the higher priority bus arbiter's \overline{BPRO} (Bus Priority Out) output to the \overline{BPRN} of the next lower priority. See Figure 6.



ROTATING PRIORITY RESOLVING

The rotating priority resolving technique is similar to that of the parallel priority resolving technique except that priority is dynamically reassigned. The priority encoder is replaced by a more complex circuit which rotates priority between requesting arbiters thus allowing each arbiter an equal chance to use the multi-master system bus, over time.

WHICH PRIORITY RESOLVING TECHNIQUE TO USE

There are advantages and disadvantages for each of the techniques described above. The rotating priority resolving technique requires substantial external logic to implement while the serial technique uses no external logic but can accommodate only a limited number of bus arbiters before the daisy-chain propagation delay exceeds the multi-master's system bus clock (\overline{BCLK}). The parallel priority resolving technique is in general a good compromise between the other two techniques. It allows for many arbiters to be present on the bus while not requiring too much logic to implement.

MBL 8289 MODES OF OPERATION

There are two types of processors in the MBL 8086/80186 family. An Input/Output processor (the MBL 8089 IOP) and the MBL 8086/8088/80186/80188 CPUs. Consequently, there are two basic operating modes in the MBL 8289 bus arbiter. One, the IOB (I/O Peripheral Bus) mode, permits the processor access to both an I/O Peripheral Bus and a multi-master system bus. The second, the RESB (Resident Bus mode), permits the processor to communicate over both a Resident Bus and a multi-master system bus. An I/O Peripheral Bus is a bus where all devices on that bus, including memory, are treated as I/O devices and are addressed by I/O commands. All memory commands are directed to another bus, the multi-master system bus. A Resident Bus can issue both memory and I/O commands, but it is a distinct and separate bus from the multi-master system bus. The distinction is that the Resident Bus has only one master, providing full availability and being dedicated to that one master.

The \overline{IOB} strapping option configures the MBL 8289 Bus Arbiter into the IOB mode and the strapping option RESB configures it into the RESB mode. It might be noted at this point that if both strapping options are strapped false, the arbiter interfaces the processor to a multi-master system bus only (see Figure 7). With both options strapped true, the arbiter interfaces the processor to a multi-master system bus, a Resident Bus, and an I/O Bus.

In the \overline{IOB} mode, the processor communicates and controls a host of peripherals over the Peripheral Bus. When the I/O Processor needs to communicate with system memory, it does so over the system memory bus. Figure 8 shows a possible I/O Processor system configuration.

The MBL 8086/8088/80186/80188 processors can communicate with a Resident Bus and a multi-master system bus. Two bus controllers and only one Bus Arbiter would be needed in such a configuration as shown in Figure 9. In such a system configuration the processor would have access to memory and peripherals of both busses. Memory mapping techniques are applied to select which bus is to be accessed. The SYSB/RESB input on the arbiter serves to instruct the arbiter as to whether or not the system bus is to be accessed. The signal connected to SYSB/RESB also enables or disables commands from one of the bus controllers.

A summary of the modes that the MBL 8289 has, along with its response to its status line inputs, is summarized in Table 2.

*In some system configurations it is possible for a non-I/O Processor to have access to more than one Multi-Master System Bus, see Intel's 8289 Application Note.

TABLE 2 – SUMMARY OF MBL 8289 MODES, REQUESTING AND RELINQUISHING THE MULTI-MASTER SYSTEM BUS

Command	Status Lines From MBL 8086 / 8088 / 8089 / 80186 / 80188			IOB Mode Only	RESB (Mode) Only		IOB Mode RESB Mode		Single Bus Mode
	S ₂	S ₁	S ₀		IOB = High	RESB = High	IOB = Low	RESB = High	
I/O COMMANDS	0	0	0	IOB = Low	SYSB/RESB = High	SYSB/RESB = Low	SYSB/RESB = High	SYSB/RESB = Low	
	0	0	1	x		x	x	x	
	0	1	0	x		x	x	x	
HALT	0	1	1	x	x	x	x	x	x
MEM COMMANDS	1	0	0			x		x	
	1	0	1			x		x	
	1	1	0			x		x	
IDLE	1	1	1	x	x	x	x	x	x

NOTES:

- x = Multi-Master System Bus is allowed to be Surrendered.
- = Multi-Master System Bus is Requested.

Mode	Pin Strapping	Multi-Master System Bus	
		Requested**	Surrendered*
Single Bus Multi-Master Mode	IOB = High RESB = Low	Whenever the processor's status lines go active	HLT + TI · CBRQ + HPBRQ [†]
RESB Mode Only	IOB = High RESB = High	SYSB/RESB = High · ACTIVE STATUS	(SYSB/RESB = Low + TI) · CBRQ + HLT + HPBRQ
IOB Mode Only	IOB = Low RESB = Low	Memory Commands	((I/O Status + TI) · CBRQ + HLT + HPBRQ
IOB Mode · RESB Mode	IOB = Low RESB = High	(Memory Command) · (SYSB/RESB = High)	((I/O Status Commands) + (SYSB/RESB = Low)) · CBRQ + HPBRQ [†] + HLT

1

NOTES:

- * LOCK prevents surrender of Bus to any other arbiter, CRQLCK prevents surrender of Bus to any lower priority arbiter.
- ** Except for HALT and Passive or IDLE Status.
- † HPBRQ, Higher priority Bus request or BPRN = 1.
 - IOB Active Low.
 - RESB Active High.
 - + is read as "OR" and · as "AND."
 - TI = Processor Idle Status S₂, S₁, S₀ = 111
 - HLT = Processor Halt Status S₂, S₁, S₀ = 011

Fig.7 – TYPICAL MEDIUM COMPLEXITY CPU SYSTEM

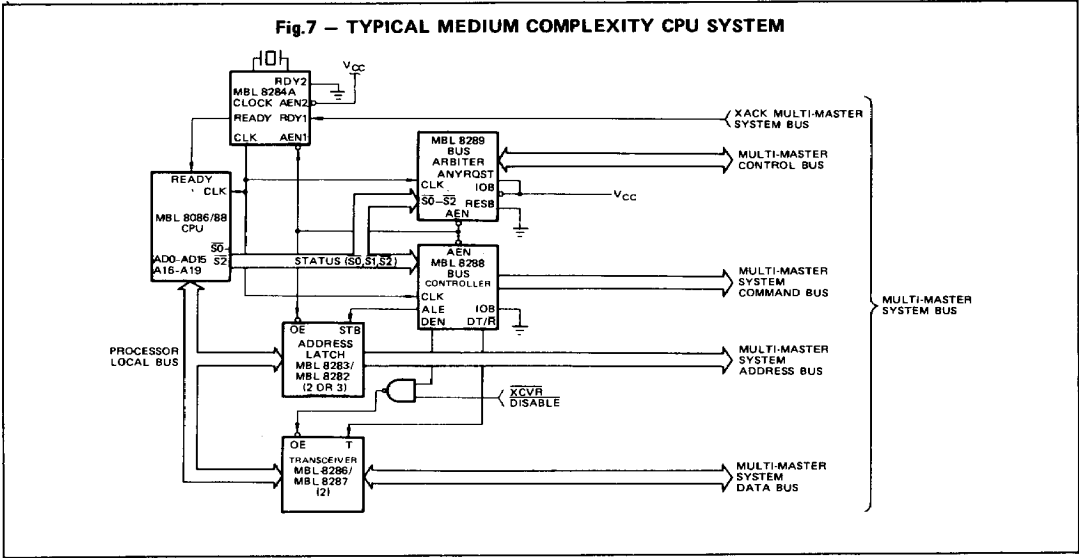


Fig.8 – TYPICAL MEDIUM COMPLEXITY IOB SYSTEM

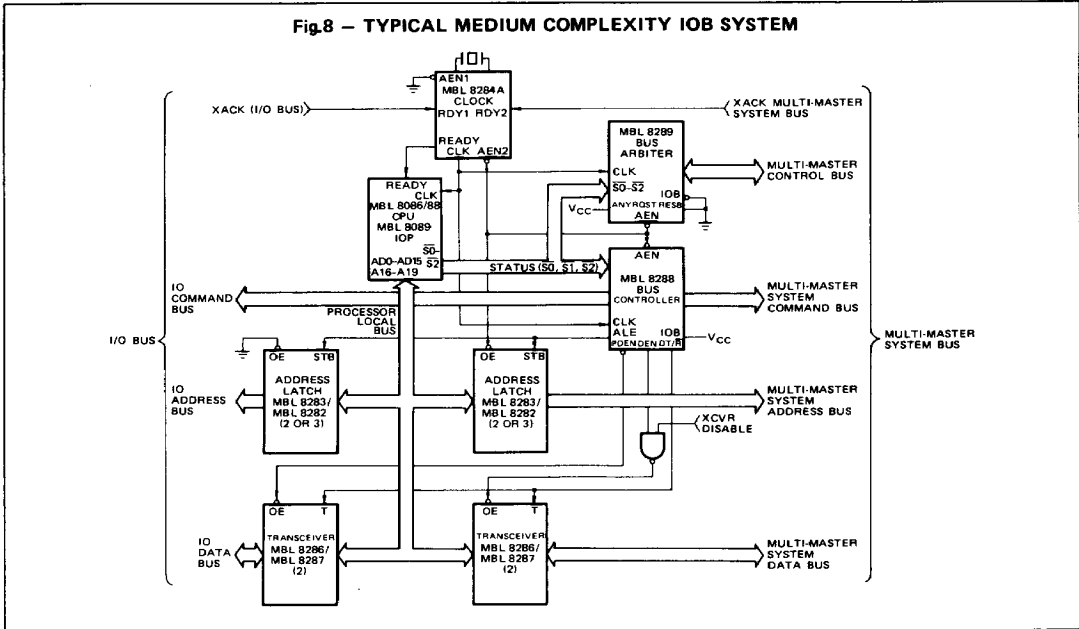
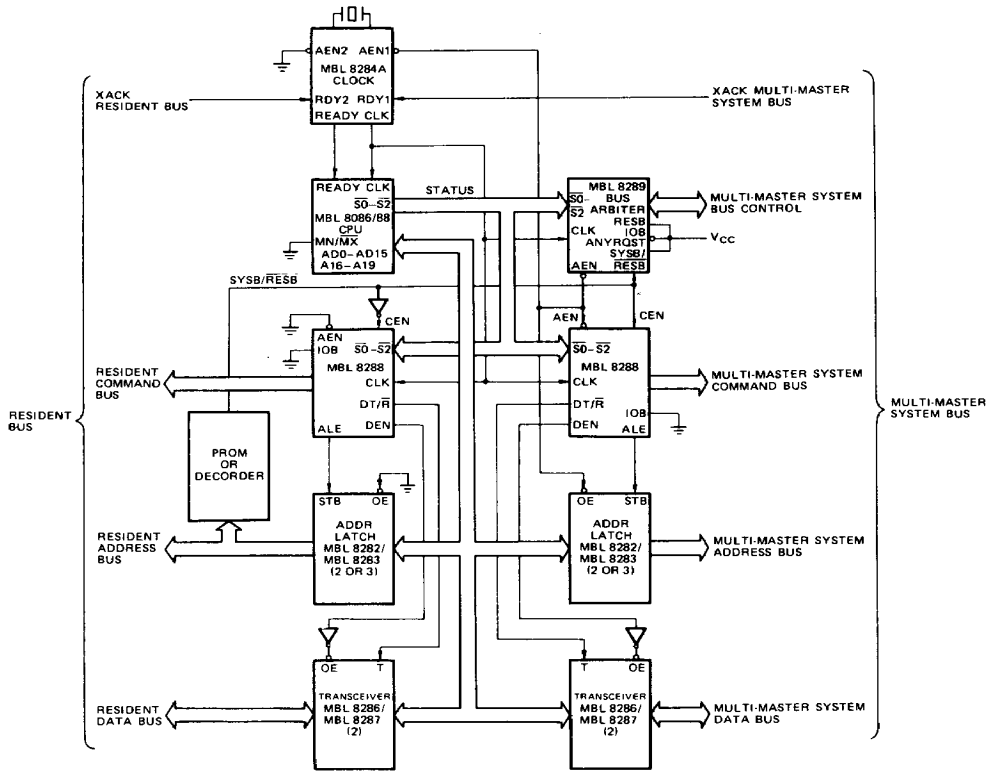


Fig. 9 - MBL 8289 BUS ARBITER SHOWN IN SYSTEM-RESIDENT BUS CONFIGURATION



* BY ADDING ANOTHER MBL 8289 ARBITER AND CONNECTING ITS \overline{AEN} TO THE MBL 8288 WHOSE \overline{AEN} IS PRESENTLY GROUNDING, THE PROCESSOR COULD HAVE ACCESS TO TWO MULTI-MASTER BUSES.

ABSOLUTE MAXIMUM RATINGS*

Temperature Under Bias 0°C to 70°C
 Storage Temperature -65°C to +150°C
 All Output and Supply Voltages -0.5V to +7.0V
 All Input Voltages -0.5V to +5.5V
 Power Dissipation 1.0W

***NOTE:** Permanent device damage may occur if ABSOLUTE MAXIMUM RATINGS are exceeded. Functional operation should be restricted to the conditions as detailed in the operational sections of this data sheet. Exposure to absolute maximum rating conditions for extended periods may affect device reliability.

D.C. CHARACTERISTICS ($V_{CC} = +5V \pm 10\%$, $T_A = 0^\circ C$ to $70^\circ C$)

Symbol	Parameter	Min.	Max.	Units	Test Condition
V_C	Input Clamp Voltage		-1.0	V	$V_{CC} = 4.50V, I_C = -5mA$
I_F	Input Forward Current		-0.5	mA	$V_{CC} = 5.50V, V_F = 0.45V$
I_R	Reverse Input Leakage Current		60	μA	$V_{CC} = 5.50V, V_R = 5.50V$
V_{OL}	Output Low Voltage	BUSY, CBRQ	0.45	V	$I_{OL} = 20mA$
		AEN	0.45	V	$I_{OL} = 16mA$
		BPRO, BREQ	0.45	V	$I_{OL} = 10mA$
V_{OH}	Output High Voltage	BUSY, CBRQ	Open Collector		
		AEN, BPRO, BREQ	2.4	V	$I_{OH} = 400\mu A$
I_{CC}	Power Supply Current		95	mA	
V_{IL}	Input Low Voltage		0.8	V	
V_{IH}	Input High Voltage	2.0		V	
Cin Status	Input Capacitance		25	pF	
Cin (Others)	Input Capacitance		12	pF	

A.C. CHARACTERISTICS ($V_{CC} = +5V \pm 10\%$, $T_A = 0^\circ C$ to $70^\circ C$)

TIMING REQUIREMENTS

Symbol	Parameter	MBL 8289	MBL 8289-1	Max.	Unit	Test Condition
		Min	Min.			
TCLCL	CLK Cycle Period	125	100		ns	
TCLCH	CLK Low Time	65	53		ns	
TCHCL	CLK High Time	35	26		ns	
TSVCH	Status Active Setup	65	55	TCLCL-10	ns	
TSHCL	Status Inactive Setup	50	45	TCLCL-10	ns	
THVCH	Status Active Hold	10	10		ns	
THVCL	Status Inactive Hold	10	10		ns	
TBYSBL	BUSY \uparrow Setup to BCLK \downarrow	20	20		ns	
TCBSBL	CBRQ \uparrow Setup to BCLK \downarrow	20	20		ns	
TBLBL	BCLK Cycle Time	100	100		ns	
TBHCL	BCLK High Time	30	30	0.65[TBLBL]	ns	
TCLL1	LOCK Inactive Hold	10	10		ns	
TCLL2	LOCK Active Setup	40	40		ns	
TPNBL	BPRN \downarrow to BCLK Setup Time	15	15		ns	
TCLSR1	SYSB/RESB Setup	0	0		ns	
TCLSR2	SYSB/RESB Hold	20	20		ns	
TIVIH	Initialization Pulse Width	3 TBLBL + 3 TCLCL	3 TBLBL + 3 TCLCL		ns	

A.C. CHARACTERISTICS (Continued)

TIMING RESPONSES

Symbol	Parameter	Min.	Max.	Unit	Test Condition
TBLBRL	\overline{BCLK} to \overline{BREQ} Delay ↓↑		35	ns	
TBLPOH	\overline{BCLK} to \overline{BPRO} ↓↑ (See Note 1)		40	ns	
TPNPO	\overline{BPRN} ↓↑ to \overline{BPRO} ↓↑ Delay (See Note 1)		25	ns	
TBLBYL	\overline{BCLK} to \overline{BUSY} Low		60	ns	
TBLBYH	\overline{BCLK} to \overline{BUSY} Float (See Note 2)		35	ns	
TCLAEH	CLK to \overline{AEN} High		65	ns	
TBLAEL	\overline{BCLK} to \overline{AEN} Low		40	ns	
TBLCBL	\overline{BCLK} to \overline{CBRO} Low		60	ns	
TBLCBH	\overline{BCLK} to \overline{CBRO} Float (See Note 2)		35	ns	
TOLOH	Output Rise Time		20	ns	From 0.8V to 2.0V
TOHOL	Output Fall Time		12	ns	From 2.0V to 0.8V

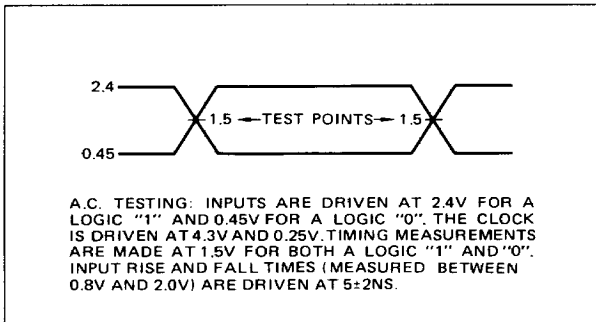
↓↑ Denotes that spec applies to both transition of the signal.

NOTES:

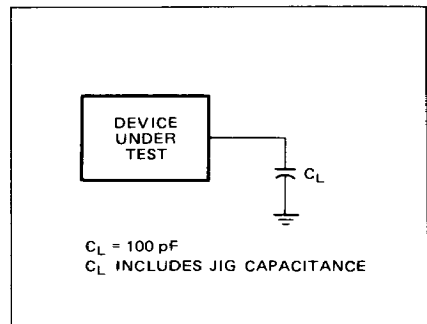
1. \overline{BCLK} generates the first \overline{BPRO} wherein subsequent \overline{BPRO} changes lower in the chain are generated through \overline{BPRN} .
2. Measured at .5V above GND.

1

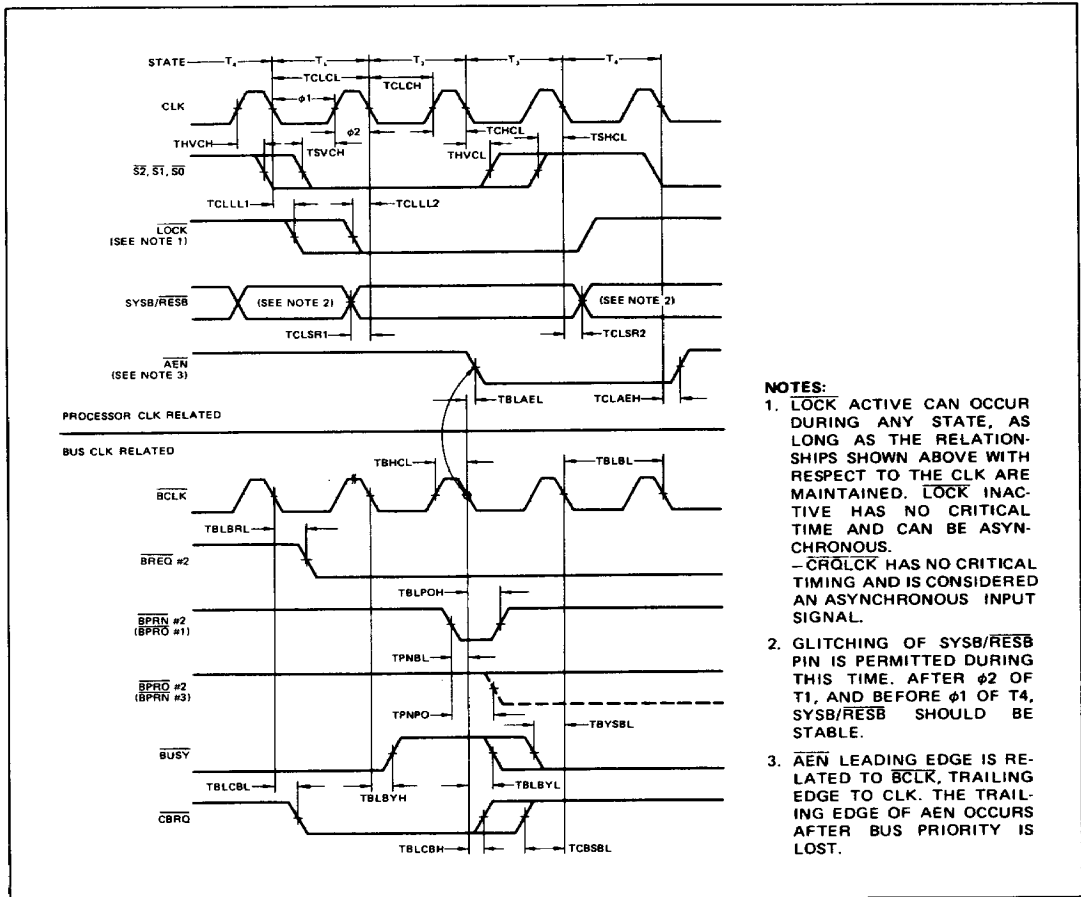
A.C. TESTING INPUT, OUTPUT WAVEFORM



A.C. TESTING LOAD CIRCUIT



WAVEFORMS



- NOTES:**
1. LOCK ACTIVE CAN OCCUR DURING ANY STATE, AS LONG AS THE RELATIONSHIPS SHOWN ABOVE WITH RESPECT TO THE CLK ARE MAINTAINED. LOCK INACTIVE HAS NO CRITICAL TIME AND CAN BE ASYNCHRONOUS. - CROCLK HAS NO CRITICAL TIMING AND IS CONSIDERED AN ASYNCHRONOUS INPUT SIGNAL.
 2. GLITCHING OF SYSB/RESB PIN IS PERMITTED DURING THIS TIME. AFTER $\phi 2$ OF T1, AND BEFORE $\phi 1$ OF T4, SYSB/RESB SHOULD BE STABLE.
 3. AEN LEADING EDGE IS RELATED TO BCLK, TRAILING EDGE TO CLK. THE TRAILING EDGE OF AEN OCCURS AFTER BUS PRIORITY IS LOST.

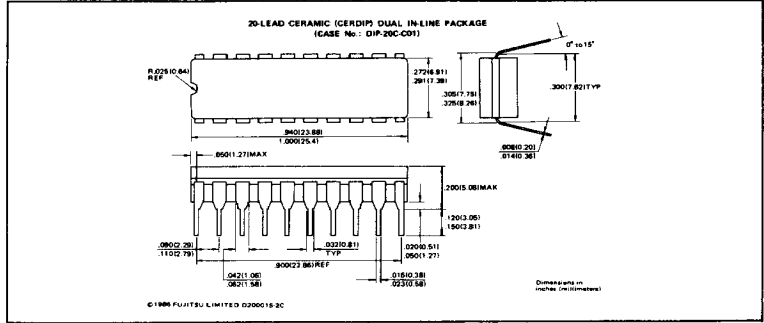
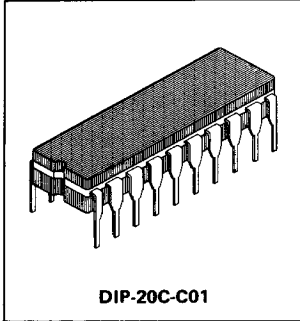
ADDITIONAL NOTES:

The signals related to CLK are typical processor signals, and do not relate to the depicted sequence of events of the signals referenced to BCLK. The signals shown related to the BCLK represent a hypothetical sequence of events for illustration. Assume 3 bus arbiters of priorities 1, 2 and 3 configured in serial priority resolving scheme as shown in Figure 6. Assume arbiter 1 has the bus and is holding busy low. Arbiter #2 detects its processor wants the bus and pulls low BREQ#2. If BPRN#2 is high (as shown), arbiter #2 will pull low CBRQ line. CBRQ signals to the higher priority arbiter #1 that a lower priority arbiter wants the bus. [A higher priority arbiter would be granted BPRN when it makes the bus request rather than having to wait for another arbiter to release the bus through CBRQ].** Arbiter #1 will relinquish the multi-master system bus when it enters a state not requiring it (see Table 1), by lowering its BPRO#1 (tied to BPRN#2) and releasing BUSY. Arbiter #2 now sees that it has priority from BPRN#2 being low and releases CBRQ. As soon as BUSY signifies the bus is available (high), arbiter #2 pulls BREQ low on next falling edge of BCLK. Note that if arbiter #2 didn't want the bus at the time it received priority, it would pass priority to the next lower priority arbiter by lowering its BPRO#2 [TPNPO].

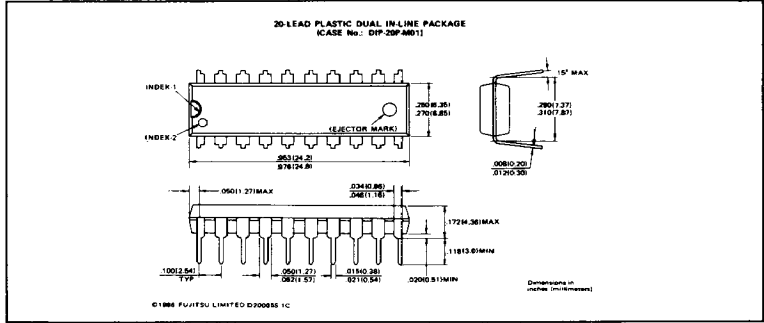
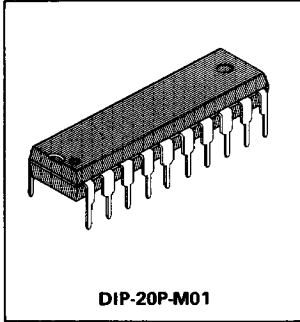
**Note that even a higher priority arbiter which is acquiring the bus through BPRN will momentarily drop CBRQ until it has acquired the bus.

PACKAGE ILLUSTRATION AND DIMENSIONS

CERAMIC DIP (Suffix: CZ)



PLASTIC DIP (Suffix: P)



1