

Customer Information Sheet

DRAWING No.: M40-600XX46

SHEET 2 OF 2

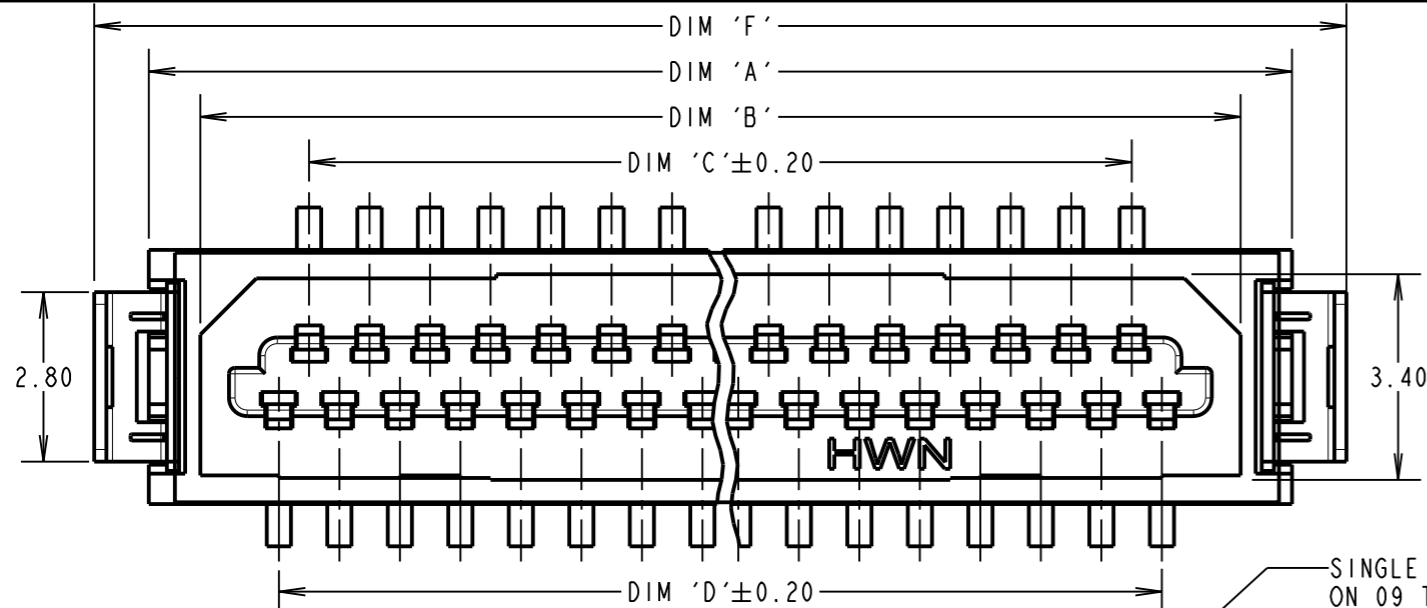
IF IN DOUBT - ASK

©

NOT TO SCALE

THIRD ANGLE PROJECTION

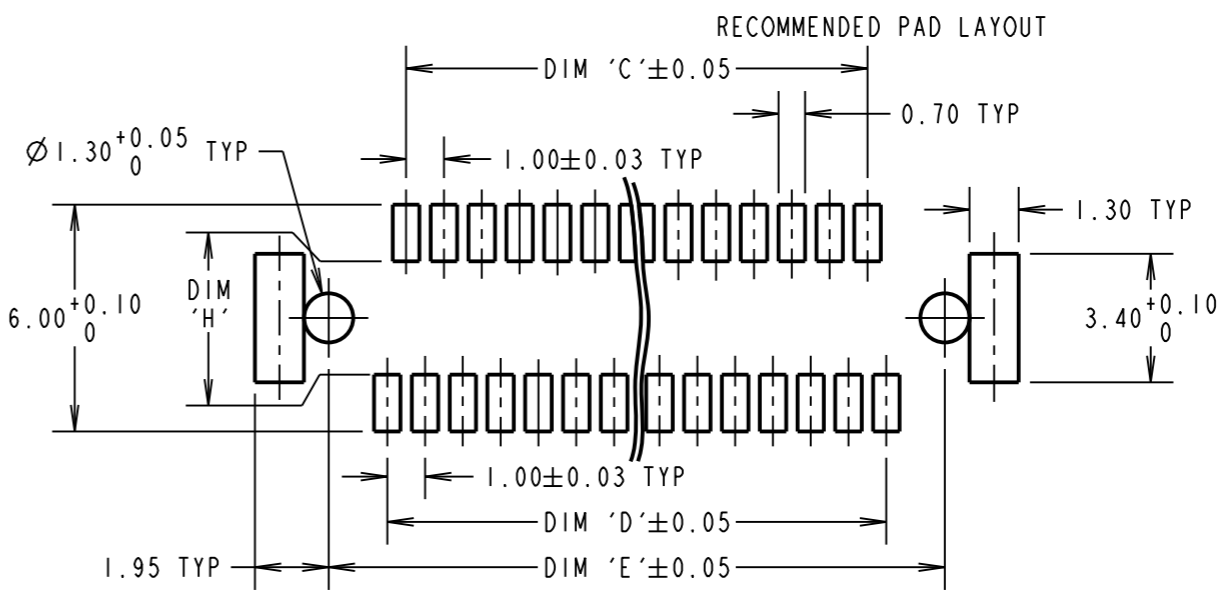
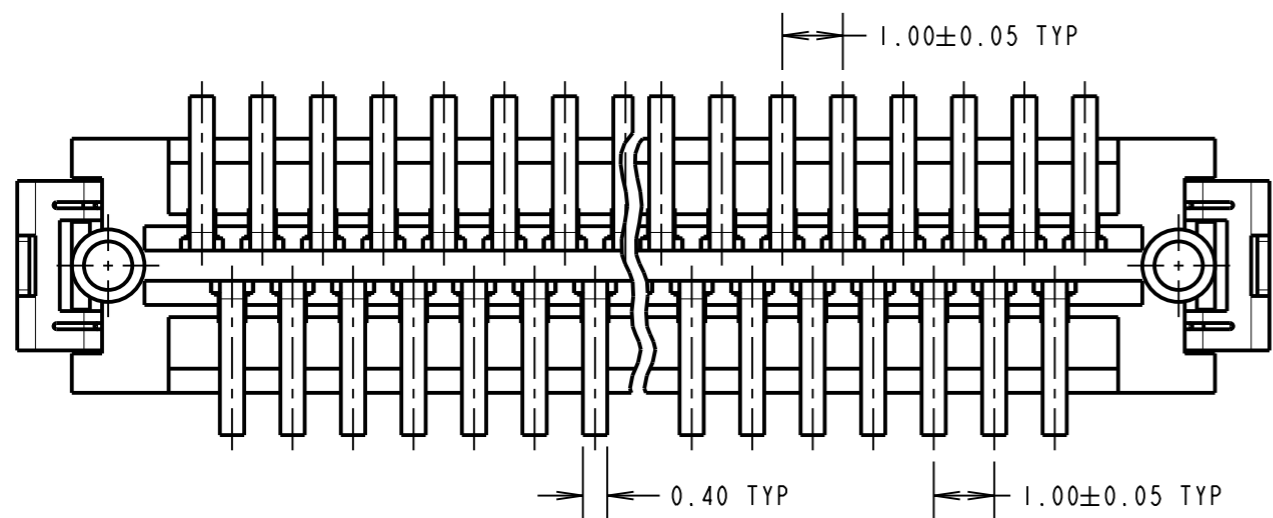
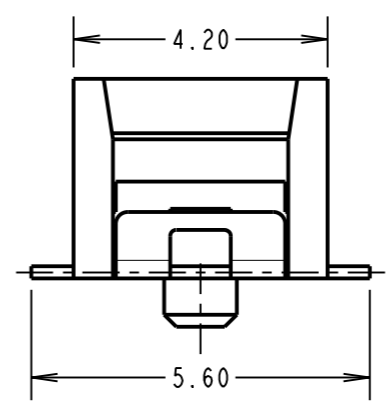
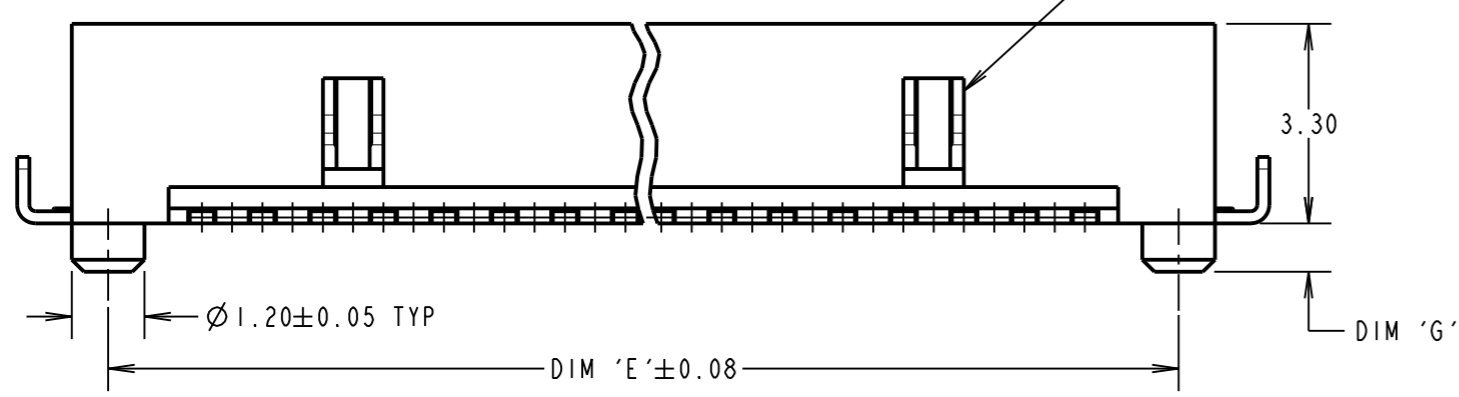
ALL DIMENSIONS IN mm



PART No.	No. OF CONTACTS	DIM 'A'	DIM 'B'	DIM 'C'	DIM 'D'	DIM 'E'	DIM 'F'	DIM 'G'	DIM 'H'
M40-6000946	9	8.30	6.60	3.00	4.00	7.10	10.10	1.00	1.84 ^{+0.10} -0.00
M40-6001546	15	11.30	9.60	6.00	7.00	10.10	13.10		
M40-6002146	21	14.30	12.60	9.00	10.00	13.10	16.10		
M40-6002546	25	16.30	14.60	11.00	12.00	15.10	18.10	0.80	3.00 ^{+0.00} -0.10
M40-6003146	31	19.30	17.60	14.00	15.00	18.10	21.10		
M40-6004146	41	24.30	22.60	19.00	20.00	23.10	26.10		
M40-6005146	51	29.30	27.60	24.00	25.00	28.10	31.10		

SPECIFICATIONS:
MATERIAL:
 MOULDING = LCP, NATURAL, UL94V-0
 CONTACTS AND RETAINER = BRASS
 FINISH = 2.03µ MIN 100% TIN, OVER 1.27µ MIN NICKEL
ELECTRICAL:
 CURRENT RATING = 0.5 A
 VOLTAGE RATING = 150V AC
 DIELECTRIC STRENGTH = 250V AC FOR 1 MINUTE
 INSULATION RESISTANCE = 500 MΩ MIN
 CONTACT RESISTANCE = 50 mΩ MAX
MECHANICAL:
 DURABILITY = 30 CYCLES (TIN), 100 CYCLES (GOLD)
ENVIRONMENTAL:
 TEMPERATURE RANGE = -20°C TO +125°C
PACKING:
 TUBE

SINGLE CENTRALLY PLACED FEATURE ON 09 TO 25 WAYS



NOTES:
 1. MATES WITH M40-620XX46 TO GIVE 4.3mm BOARD TO BOARD HEIGHT.
 2. ALL TOLERANCES ARE ±0.25 UNLESS OTHERWISE STATED.

ORDER CODE: **M40-600XX46**
 No. OF CONTACTS: 9, 15, 21, 25, 31, 41, 51.
 FINISH: 46 = 100% TIN

HARWIN
 www.harwin.com
 technical@harwin.com

THIS DRAWING AND ANY INFORMATION OR DESCRIPTIVE MATTER SET OUT HEREON ARE CONFIDENTIAL AND COPYRIGHT PROPERTY OF THE HARWIN GROUP AND MUST NOT BE DISCLOSED, LOANED, COPIED OR USED FOR MANUFACTURING, TENDERING OR FOR ANY OTHER PURPOSE WITHOUT THEIR WRITTEN PERMISSION.

TOLERANCES
 X = ±1mm
 X.X = ±0.25mm
 X.XX = ±0.10mm
 X.XXX = ±0.01mm
 ANGLES = ±5°
 UNLESS STATED

MATERIAL:
 SEE ABOVE
FINISH: SEE ABOVE
S/AREA: mm²

TITLE:
 1.00mm PITCH SMT PLUG CONNECTOR
DRAWING NUMBER:
M40-600XX46

SB	12	12.11.12	11867
NAME	ISS.	DATE	C/NOTE
APPROVED:		S.BENNETT	
CHECKED:		M.PLESTED	
DRAWN:		R.ADDE	
CUSTOMER REF.:			
ASSEMBLY DRG:			