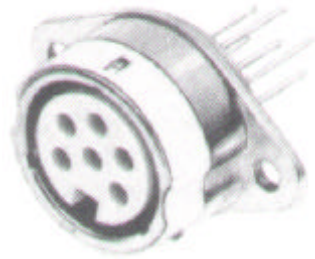




L1904C/LPCS DIN STYLE CONNECTOR



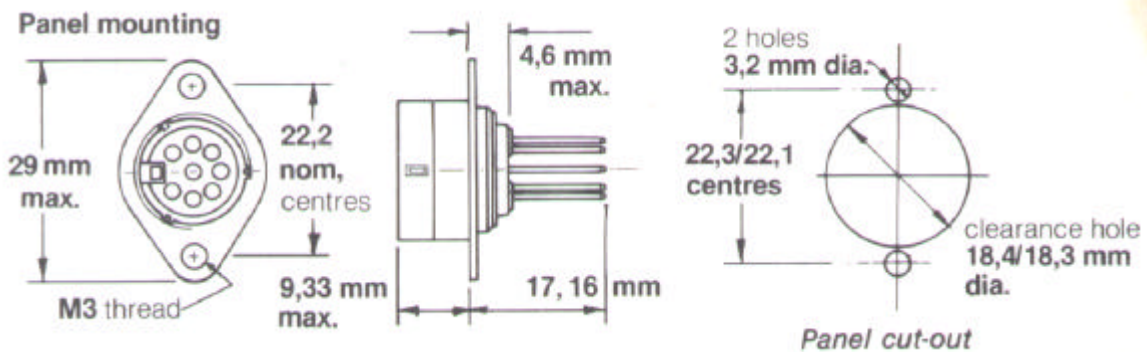
MATERIALS

BODY:	Zinc alloy, nickel-plated
RECEPTACLE INSULATOR	Glass, filled nylon
CONTACTS:	Brass, silver plated
CONTACT TERMINATION:	Dip solder
PINS:	Brass, silver plated
SPACERS:	Aluminium alloy (supplied loose)
DESCRIPTION:	LPCS style is designed for fitting to a panel, terminating with a PCB mounted behind

ORDERING REFERENCE:
PANEL MOUNTING L1904*/LPCS

*number of poles

Note: Only available in 5, 6, 7 and 8 way configuration



Dialight BLP reserve the right to change without prior notice the information contained within this leaflet

Dialight BLP Ltd., Exning Road, Newmarket, Suffolk, CB8 0AX, England
Tel: +44 (0)1638 665161 Fax: +44 (0)1638 660718 email: sales@blpcomp.com www.blpcomp.com