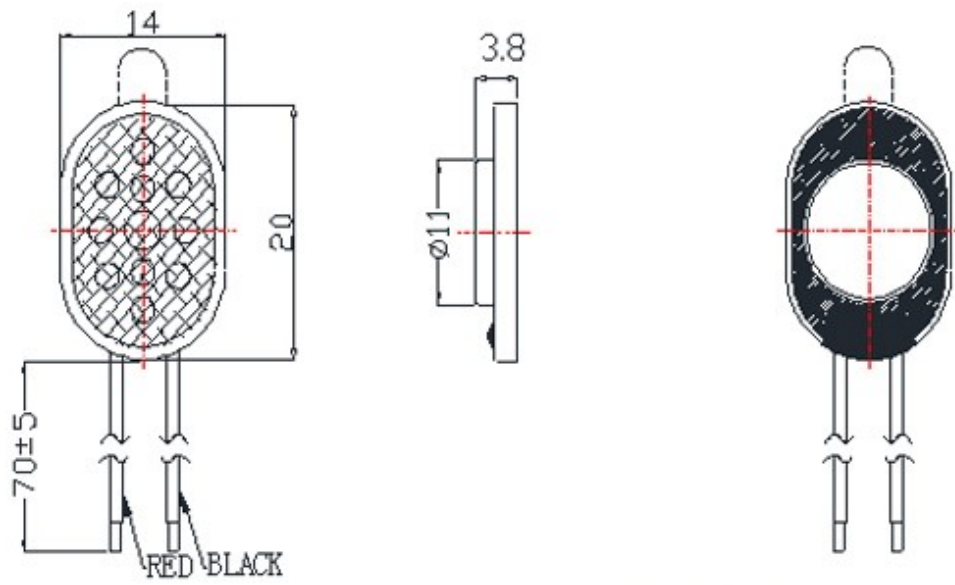


Speaker Drawing



WIRE: UL1571#32AWG

Unit:mm Tolerance: ± 0.3

