

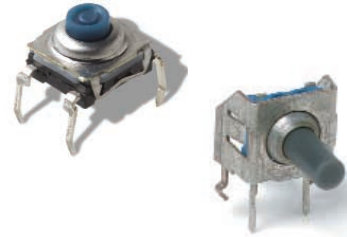
KSA & KSL Series Sealed Tact Switch

Features/Benefits

- Designed for automatic or manual insertion
- Cambered terminals to ensure self retention
- Top or side actuated
- Washable option available
- Large choice of caps

Typical Applications

- Automotive
- Industrial
- Telecommunication networks



B Tactile Switches

Specification

CONTACT ARRANGEMENT: SPST, N.O.
 DOUBLE OVERMOLDING ON TERMINAL
 MEMBRANE SEALING
 TERMINALS: PC pins, ground pin optional

Electrical

| | | |
|------------------|--------|--------|
| | Silver | Gold |
| MAXIMUM POWER: | 1 VA | 0.2 VA |
| MAXIMUM VOLTAGE: | 50 VDC | 50 VDC |
| MINIMUM VOLTAGE: | 20 mV | 20 mV |
| MAXIMUM CURRENT: | 50 mA | 10 mA |
| MINIMUM CURRENT: | 1 mA | 1 mA |

Mechanical

| Type | Actuation force N (grams) | Operating life (operations) | Travel to make |
|----------|---------------------------|-----------------------------|----------------|
| KSA0M211 | 1.3 (130) | 500,000 | 0,5 ± 0,2 |
| KSA0M311 | 1.3 (130) | 1,000,000 | 0,5 ± 0,2 |
| KSA0M411 | 3.0 (300) | 100,000 | 0,6 ± 0,2 |
| KSA0M511 | 5.0 (500) | 100,000 | 0,7 ± 0,2 |
| KSA0M911 | 3.0 (300) | 500,000 | 0,6 ± 0,2 |
| KSL0M211 | 1.3 (130) | 500,000 | 0,5 ± 0,2 |
| KSL0M311 | 1.3 (130) | 1,000,000 | 0,5 ± 0,2 |
| KSL0M411 | 3.0 (300) | 100,000 | 0,6 ± 0,2 |
| KSL0M511 | 5.0 (500) | 100,000 | 0,7 ± 0,2 |
| KSL0M911 | 3.0 (300) | 500,000 | 0,6 ± 0,2 |

DIELECTRIC STRENGTH: 300 Vrms
 CONTACT RESISTANCE: < 50 mΩ
 INSULATION RESISTANCE (100 V): > 10¹¹ Ω
 BOUNCE TIME: < 1 ms

Environmental

| | | |
|------------------------|---------------|----------------|
| | Silver | Gold |
| OPERATING TEMPERATURE: | -40°C to 90°C | -40°C to 125°C |
| STORAGE TEMPERATURE: | -40°C to 90°C | -55°C to 125°C |

Process

Wave soldering EIA-RS448-2

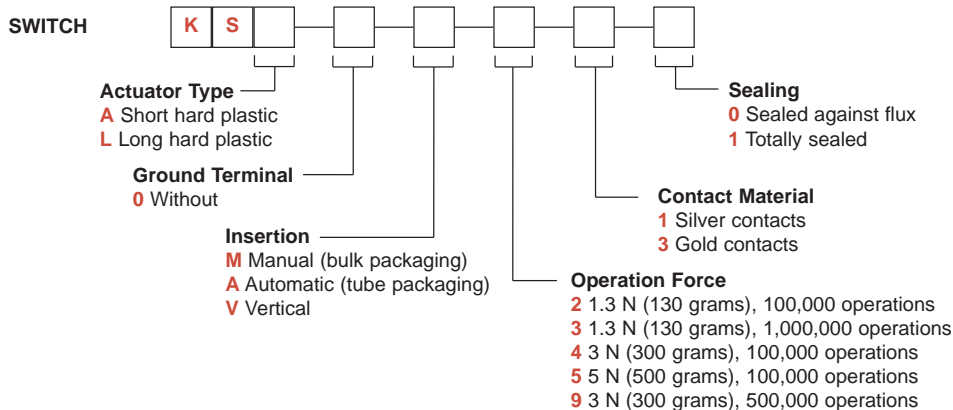
Packaging

Can be delivered in tubes of 65 pieces for automatic insertion or in boxes of 500 pieces for manual insertion (250 pieces for KSL, KSLV, KSAV).

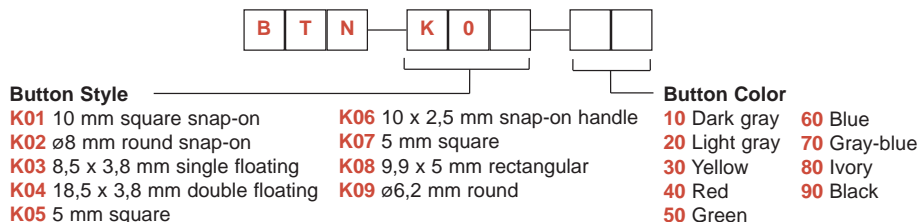
NOTE: Part numbers listed above do not represent all possible configurations. For information on specific and custom switches, consult Customer Service Center.

How To Order

Our easy build-a-switch concept allows you to mix and match options to create the switch you need. To order, select desired option from each category and place it in the appropriate box.



BUTTONS Buttons must be ordered separately and will be supplied in bulk.

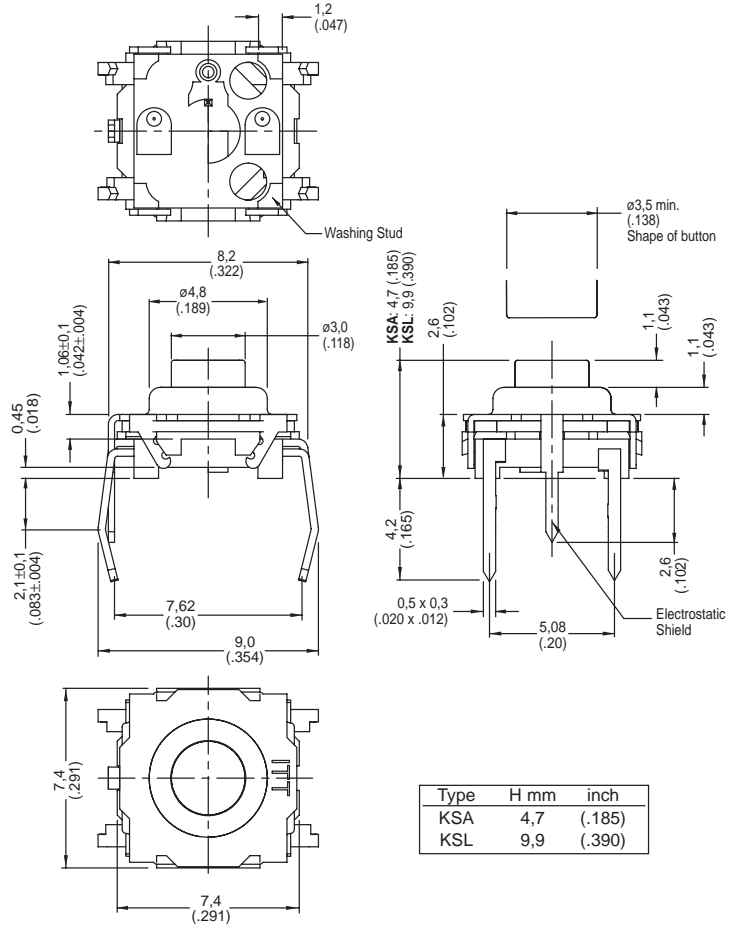


KSA & KSL Series Sealed Tact Switch

ACTUATOR TYPE

KSA & KSL

Tactile Switches



GROUND TERMINAL

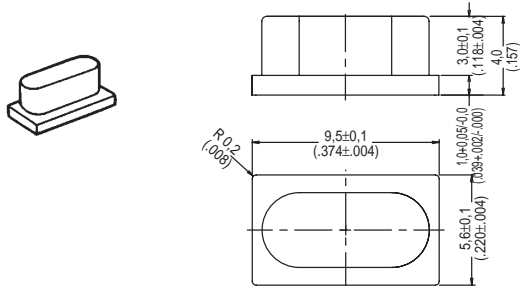
0 WITHOUT

KSA & KSL Series Sealed Tact Switch

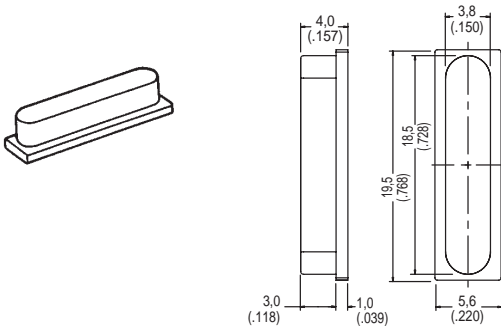


Tactile Switches

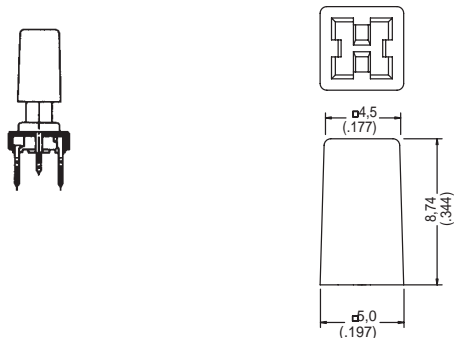
K03



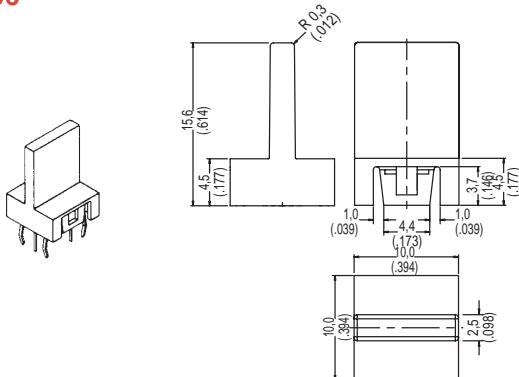
K04



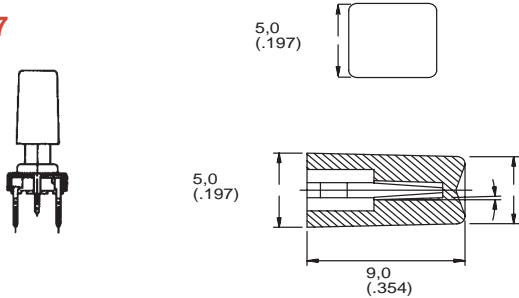
K05



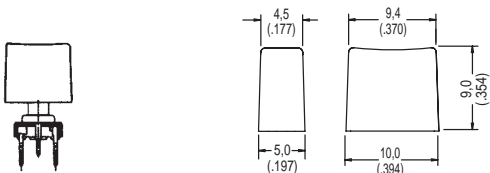
K06



K07



K08



K09

