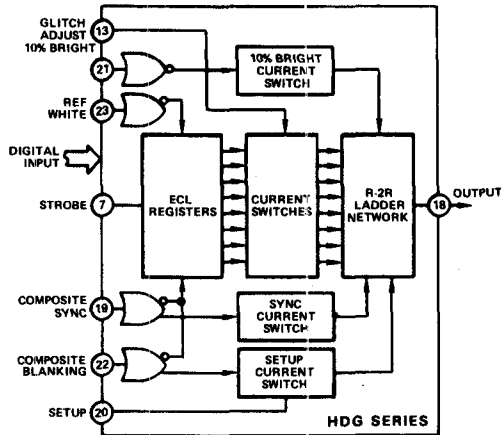


# Video Display D/A Converters



## HDG SERIES

Ultra Fast 7ns Settling Time to 0.4% (8ns max)  
 Low 50 pV-s max Glitch Energy  
 Operates from Single -5.2V Power Supply  
 Complete Composite Inputs  
 Designed for General Output Compatibility with EIA  
 Standard RS-170 and RS-343, Including  
 10% Brightness

### HDG-0805

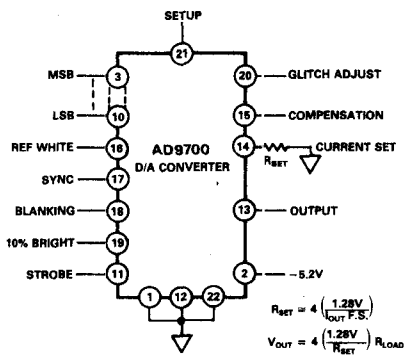
Resolution: 8 Bits  
 % of Gray: 0.4%  
 Settling Time: 8ns

### HDG-0605

Resolution: 6 Bits  
 % of Gray: 1.6%  
 Settling Time: 6ns

### HDG-0405

Resolution: 4 Bits  
 % of Gray: 6.4%  
 Settling Time: 4ns



## AD9700

Update Rates to 125MHz  
 2ns Rise Time  
 On-Chip Reference Voltage  
 Single -5.2V Power Supply  
 Complete Composite Inputs

### APPLICATIONS

Raster Scan Displays  
 Color Graphics  
 Automated Test Equipment  
 TV Video Reconstruction

Page  
 Vol. I  
 9-309

10

Vol. I  
 9-259