

HN62314B Series

HN62334B Series

4M (512K x 8-bit) Mask ROM

DESCRIPTION

The Hitachi HN62314B/HN62334B Series is a 4-Megabit CMOS Mask Programmable Read Only Memory organized as 524,288 x 8-bit.

The low power consumption of this device makes it ideal for battery powered, portable systems. In addition, the high density and high speed provide enough capacity and high performance to be used as a character generator in laser printers.

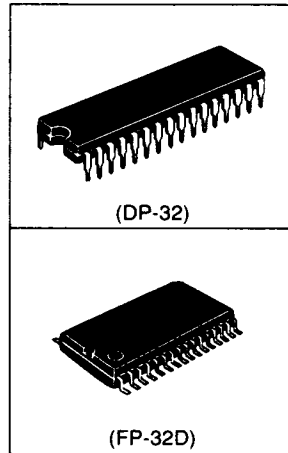
Hitachi's HN62314B/HN62334B Series are offered with JEDEC-Standard Byte-Wide EPROM pinouts in 32-pin Plastic DIP and 32-lead Plastic SOP packages. This allows socket replacement with EPROMs and Flash Memory.

FEATURES

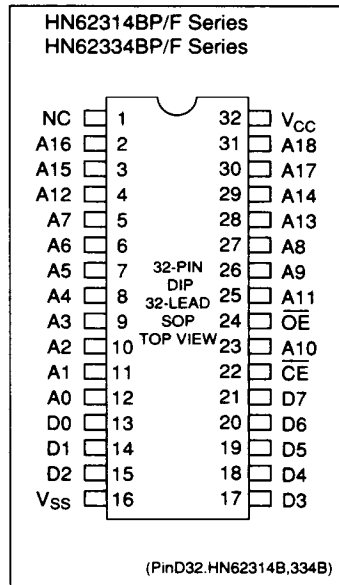
- Single Power Supply:
 - $V_{CC} = 5 V \pm 10\%$
- Fast Access Times:
 - 150 ns/170 ns/200 ns (max)
- Low Power Consumption:
 - Active Current: 100 mW (typ)
 - Standby Current: 5 μ W (typ)
- Byte-Wide Data Organization
- TTL-Compatible Inputs and Outputs
- Three-State Data Outputs
- Pin Arrangement:
 - JEDEC Standard Byte-Wide EPROM
 - EPROM and Flash Memory Compatible
- Packages:
 - 32-pin Plastic DIP
 - 32-lead Plastic SOP

ORDERING INFORMATION

Type No.	Access Time	Package
HN62334BP-15	150 ns	32-pin Plastic DIP
HN62314BP-17	170 ns	(DP-32)
HN62314BP-20	200 ns	
HN62334BF-15	150 ns	32-lead Plastic SOP
HN62314BF-17	170 ns	(FP-32D)
HN62314BF-20	200 ns	



PIN ARRANGEMENT

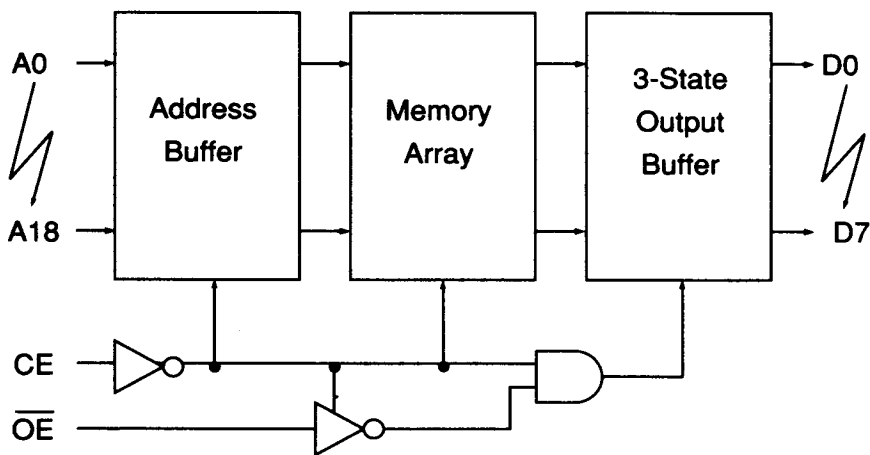


HITACHI

■ PIN DESCRIPTION

Pin Name	Function
A ₀ - A ₁₈	Address
D ₀ - D ₇	Output
\overline{CE}	Chip Enable
\overline{OE}	Output Enable
V _{cc}	Power Supply
V _{ss}	Ground
NC	No Connection

■ BLOCK DIAGRAM



(BD.HN62314B,334B)

■ ABSOLUTE MAXIMUM RATINGS

Item	Symbol	Value	Unit
Supply Voltage ¹	V_{CC}	-0.3 to +7.0	V
Terminal Voltage ¹	V_T	-0.3 to $V_{CC} + 0.3$	V
Operating Temperature Range	T_{OPR}	0 to +70	°C
Storage Temperature Range	T_{STG}	-55 to +125	°C
Temperature Under Bias	T_{BIAS}	-20 to +85	°C

Notes: 1. With respect to V_{SS} .

■ CAPACITANCE

($V_{CC} = 5V \pm 10\%$, $V_{SS} = 0V$, $T_a = 25^\circ C$, $V_{IN} = 0V$, $f = 1MHz$)

Item	Symbol	Min.	Max.	Unit
Input Capacitance ¹	C_{IN}	-	15	pF
Output Capacitance ¹	C_{OUT}	-	15	pF

Notes: 1. This parameter is sampled and not 100% tested.

■ DC ELECTRICAL CHARACTERISTICS FOR READ OPERATION

($V_{CC} = 5V \pm 10\%$, $V_{SS} = 0V$, $T_a = 0$ to $70^\circ C$)

Item	Symbol	Min.	Max.	Unit	Test Condition
Input Leakage Current	I_{LI}	-	10	μA	$V_{IN} = 0$ to V_{CC}
Output Leakage Current	I_{LO}	-	10	μA	$\overline{CE} = 2.2V$, $V_{OUT} = 0$ to V_{CC}
Operating V_{CC} Current	I_{CC}	-	50	mA	$V_{CC} = 5.5V$, $I_{DOUT} = 0mA$, $t_{RC} = \text{min.}$
Standby V_{CC} Current	I_{SB}	-	30	μA	$V_{CC} = 5.5V$, $\overline{CE} \geq V_{CC} - 0.2V$
Input Voltage	V_{IH}	2.2	$V_{CC} + 0.3$	V	
	V_{IL}	-0.3	0.8	V	
Output Voltage	V_{OH}	2.4	-	V	$I_{OH} = -205 \mu A$
	V_{OL}	-	0.4	V	$I_{OL} = 1.6mA$

HITACHI

AC ELECTRICAL CHARACTERISTICS FOR READ OPERATION

($V_{CC} = 5V \pm 10\%$, $V_{SS} = 0V$, $T_a = 0$ to $70^\circ C$)

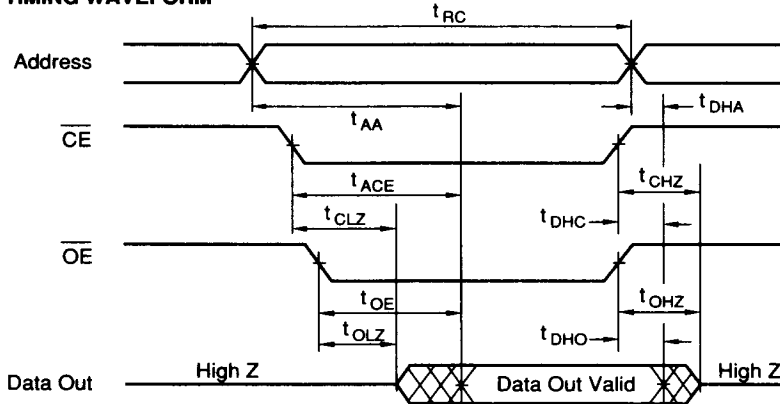
Test Conditions

- Input pulse levels: 0.8 V / 2.4 V
- Input rise and fall times: ≤ 10 ns
- Output load: 1 TTL Gate + CL = 100 pF (Including jig capacitance)
- Input/Output Timing Reference level: 1.5 V

Item	Symbol	HN62334B-15		HN62314B-17		HN62314B-20		Unit
		Min.	Max.	Min.	Max.	Min.	Max.	
Read Cycle Time	t_{RC}	150	-	170	-	200	-	ns
Address Access Time	t_{AA}	-	150	-	170	-	200	ns
\overline{CE} Access Time	t_{ACE}	-	150	-	170	-	200	ns
\overline{OE} Access Time	t_{OE}	-	70	-	70	-	100	ns
Output Hold Time from Address Change	t_{DHA}	0	-	0	-	0	-	ns
Output Hold Time from \overline{CE}	t_{DHC}	0	-	0	-	0	-	ns
Output Hold Time from \overline{OE}	t_{DHO}	0	-	0	-	0	-	ns
\overline{CE} to Output in High Z	t_{CHZ}^1	-	70	-	70	-	70	ns
\overline{OE} to Output in High Z	t_{OHZ}^1	-	70	-	70	-	70	ns
\overline{CE} to Output in Low Z	t_{CLZ}	10	-	10	-	10	-	ns
\overline{OE} to Output in Low Z	t_{OLZ}	10	-	10	-	10	-	ns

Note: 1. t_{CHZ} and t_{OHZ} define the time at which the output becomes an open circuit and are not referenced to output voltage levels.

READ TIMING WAVEFORM



(TD.R.HN62314B,334B)

- Note:
1. t_{DHA} , t_{DHC} , t_{DHO} are determined by the faster time.
 2. t_{AA} , t_{ACE} , t_{OE} are determined by the slower time.
 3. t_{CLZ} , t_{OLZ} are determined by the slower time.

HITACHI

Hitachi America, Ltd. • 2000 Sierra Point Pkwy. • Brisbane, CA 94005-1819 • (415) 589-8300

5-61