



ODU FLAKAFIX

Socket Connectors with
IDC Contacts, grid spacing 2,54 mm
Headers for Solder-In, SMT, Press-Fit and
Pin-in-Paste Technology



The latest version of this catalogue
is posted on our websites:
www.odu.de our **www.odu-usa.com**

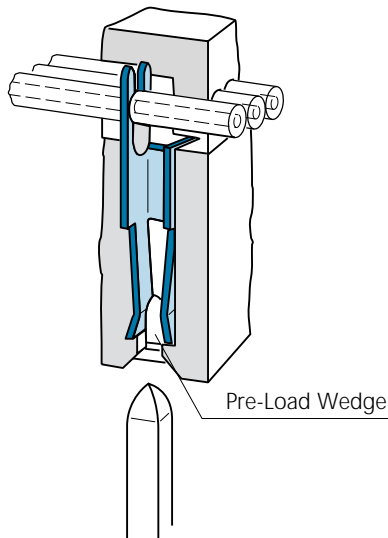
All data and specifications subject
to change without notice.
All dimensions in mm.
All pictures are illustrations.

FLAKAFIX® -System	2
ODU U-Shaped IDC Contact	2
Termination Technologies on the PCB	3
Typical using area	4
Socket connectors Series 517	5 - 8
Header Series 511	9 - 42
-Solder-In Technology	9 - 18
-SMT (Surface Mounting Technology) <i>NEW</i>	19 - 24
-Press-Fit Technology <i>NEW</i>	25 - 30
-Pin-in-Paste Technology <i>NEW</i>	31 - 40
-Accessories Series 511	41 - 42
Transition Series 533, Ribbon Connector Series 538	43 - 46
D-SUB Connectors, Series 620/621	47 - 54
-D-SUB Connectors Male Series 620	48 - 50
-D-SUB Connectors Female Series 621	51 - 53
-Strain Relief for D-SUB Connectors Series 620/621	54
FLAKAFIX® Ribbon Cable Series 659	55 - 58
Application Tooling for FLAKAFIX® -Connectors	59 - 64
Part Number Keys/Packing units	65 - 69

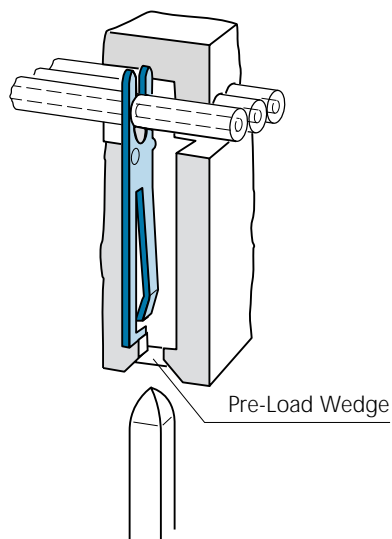
FLAKAFIX® -System

For most of today's electronic applications a modular approach is very desirable. The FLAKAFIX® system is a mass-termination insulation displacement (IDC) connector system for parallel wiring. Its modular design offers reliable yet cost effective solutions to common circuit board interconnect problems. Outstanding features are high contact reliability, long operating life, low contact resistance, and gas-tight connections at the conductor.

When used with proper hand-held or automatic termination equipment it meets all requirements for maximum efficiency and highest quality.



Single-U, double-action
wiping IDC contact



Single-U, single-action
wiping IDC contact

ODU U-shaped IDC contact:

The most significant feature of the FLAKAFIX® -System is the U-shaped cutting blade (IDC) contact. When combined with sockets, spring contacts, wirewrap posts or solder pins it provides a fast and reliable termination method.

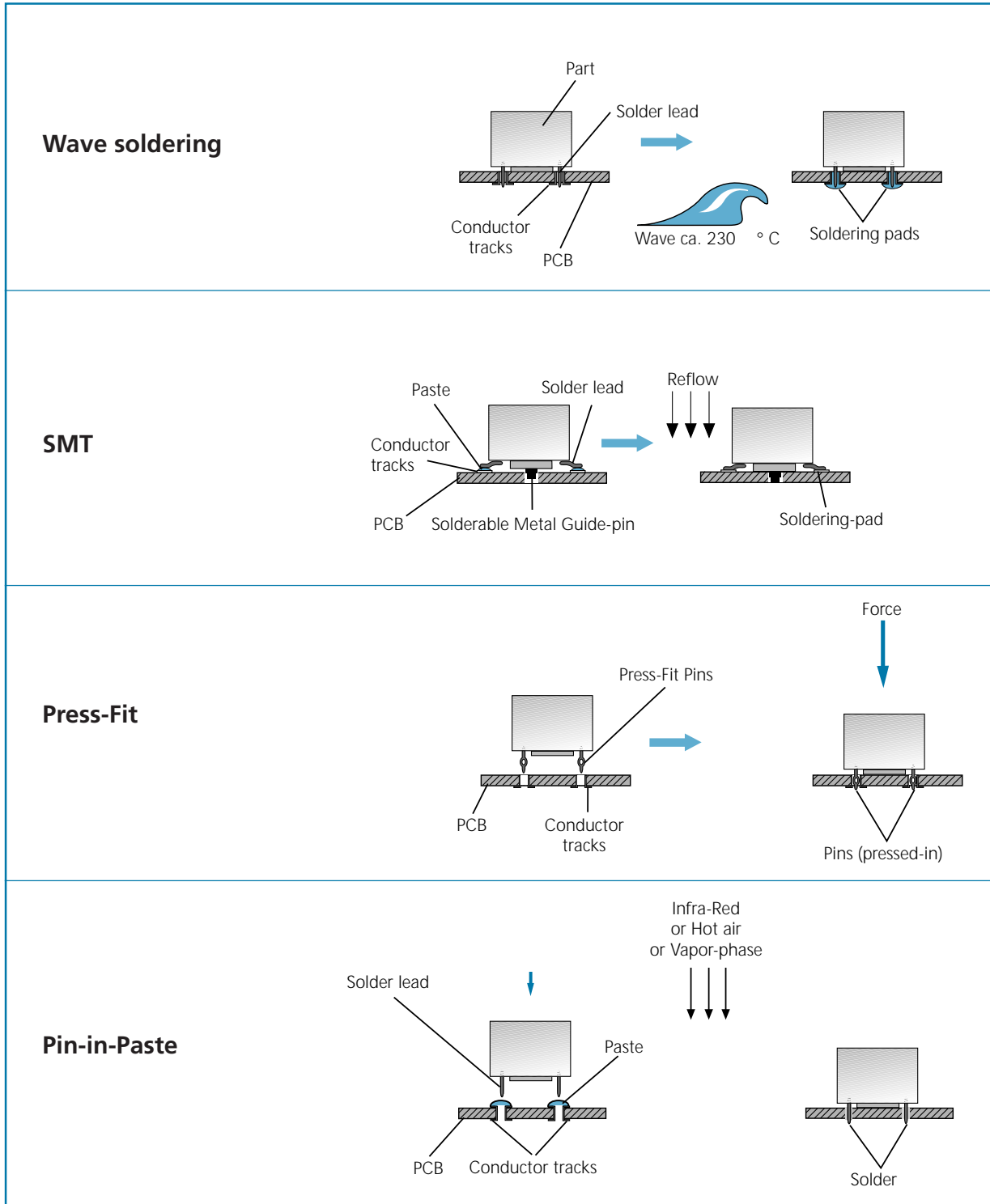
FLAKAFIX® connectors with IDC termination can be used for:

- Wire-to-board devices to connect cable and PCB circuitry.
- Separable connections between sockets and headers.
- Dual-in-Line plugs for permanent connection of ribbon cable to PCBs or separable connections between boards and DIP sockets.

In-house and independent tests, as well as many actual applications of the FLAKAFIX® system have demonstrated its high quality and reliability.

Test reports are available upon request.

Termination Technologies on the PCB



- ODU has a wide experience with all technologies shown.
- Main focus are SMT and Solder-In Technology.

Typical using area for the ODU FLAKAFIX® System



- All areas of medium data technique
- Measuring- and control technique
- Automation
- Telecommunication and mobile phones
- Electrical measuring devices
- Machine- and equipment building
- Test-equipment
- Consumer electronics

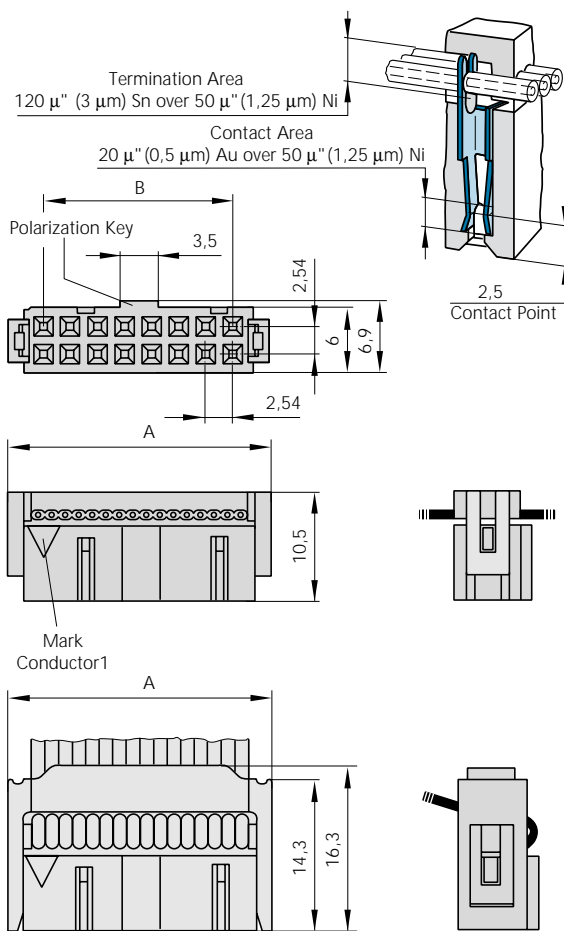
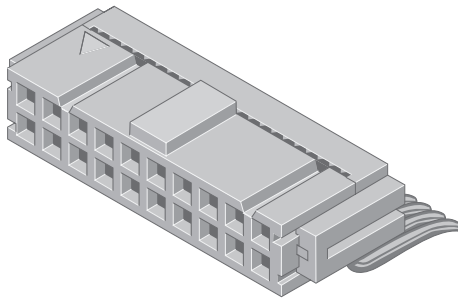


Single U-IDC Contact, Double Action Wiping Spring Contact 6
 Single U-IDC Contact, Single Action Wiping Spring Contact 7
 Strain relief 8
 Locking latches 8



Socket connectors Series 517

Socket connectors SERIES 517
with Single-U IDC Contact,
Double-action Wiping spring contact



Features

- Mates with headers pins .025" (.64 mm)
- Compatible with other leading manufacturers
- Available with or without strain relief
- 10 - 64 positions
- With polarization key
- Acc. to DIN EN60603-13 (DIN 41 651)
- Available with metal spring locking clip
- **UL** recognized

Technical Data

Electrical Specifications

Current Rating: ≤ 1 A max. for conductor 0,08 mm² (AWG 28)
≤ 1,5 A max. for conductor 0,14 mm² (AWG 26)

Test Voltage: 1000 Volt eff.

Mechanical Specifications

Operating Temperature: -55°C to +125°C
Humidity: 75% rel. humidity acc. to DIN 40 040 MIL-C-21 097B

Materials and Surface Finish

Contact Finish
Contact Area: 20 μm (0,5 μm) Au over 50 μm (1,25 μm) Ni MIL-G-45 204B Class 00

Termination Area: 120 μm (3,0 μm) Sn over 50 μm (1,25 μm) Ni

Insulation Body: PBT glass-filled grey
UL flammability rated 94 V-0

Contact: Cu alloy


Ordering Information and Dimensions (All Dimensions in mm)

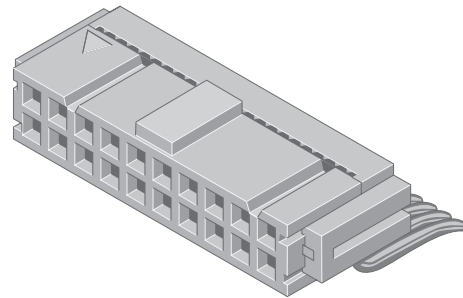
Pos.	Part Number without strain relief	Part Number with strain relief	Dim. A	Dim. B	Additional ordering information
10	517.075.003.010.XXX	517.076.003.010.XXX	17,3	10,16	For other versions with different surface finishes please see page 66
14	517.075.003.014.XXX	517.076.003.014.XXX	22,4	15,24	
16	517.075.003.016.XXX	517.076.003.016.XXX	24,9	17,78	
20	517.075.003.020.XXX	517.076.003.020.XXX	30,0	22,86	
26	517.075.003.026.XXX	517.076.003.026.XXX	37,6	30,48	
34	517.075.003.034.XXX	517.076.003.034.XXX	47,8	40,64	
40	517.075.003.040.XXX	517.076.003.040.XXX	55,4	48,26	
50	517.075.003.050.XXX	517.076.003.050.XXX	68,1	60,96	
60	517.075.003.060.XXX	517.076.003.060.XXX	80,8	73,66	
64	517.075.003.064.XXX	517.076.003.064.XXX	85,8	78,74	

XXX = see page 69

Socket connectors SERIES 517
with **Single-U IDC Contact**,
Single-Action Wiping Spring Contact

Features

- Mates with headers pins .025" (.64 mm)
- Compatible with other leading manufacturers
- Available with or without strain relief
- 10 - 64 positions
- With polarization key
- Acc. to DIN EN60603-13 (DIN 41 651)
- Available with metal spring locking clip
-  US recognized



Technical Data

Electrical Specifications

Current Rating: ≤ 1 A max. for conductor
0,08 mm² (AWG 28)
≤ 1,5 A max. for conductor
0,14 mm² (AWG 26)

Test Voltage: 1000 Volt eff.

Mechanical Specifications

Operating Temperature: -55°C to +125°C
Humidity: 75% rel. humidity acc. to
DIN 40 040
MIL-C-21 097B

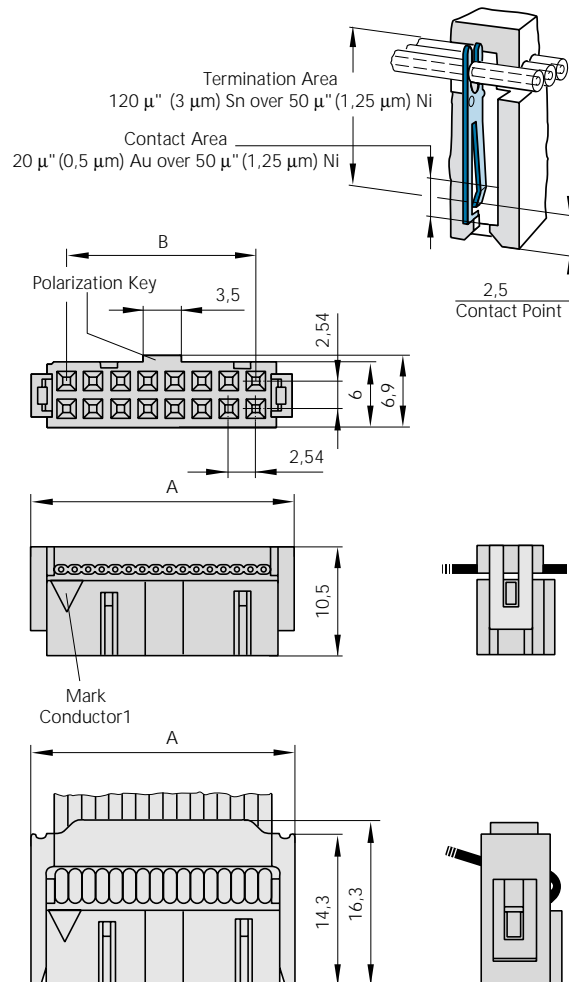
Materials and Surface Finish

Contact Finish
Contact Area: 20 μ" (0,5 μm) Au over 50 μ" (1,25 μm) Ni
MIL-G-45 204B Class 00

Termination Area: 120 μ" (3,0 μm) Sn over 50 μ" (1,25 μm) Ni

Insulation Body: PBT glass-filled
grey
UL flammability rated 94 V-0

Contact: Cu alloy

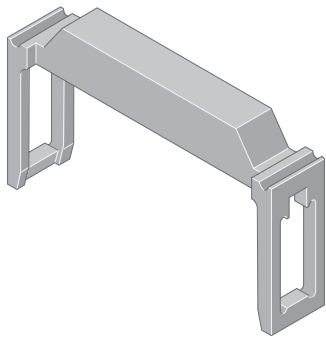


Ordering Information and Dimensions (All Dimensions in mm)

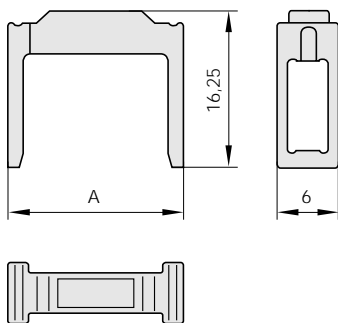
Pos.	Part Number without strain relief	Part Number with strain relief	Dim. A	Dim. B	Additional ordering information
10	517.065.003.010.XXX	517.066.003.010.XXX	17,3	10,16	For other versions with different surface finishes please see page 66
14	517.065.003.014.XXX	517.066.003.014.XXX	22,4	15,24	
16	517.065.003.016.XXX	517.066.003.016.XXX	24,9	17,78	
20	517.065.003.020.XXX	517.066.003.020.XXX	30,0	22,86	
26	517.065.003.026.XXX	517.066.003.026.XXX	37,6	30,48	
34	517.065.003.034.XXX	517.066.003.034.XXX	47,8	40,64	
40	517.065.003.040.XXX	517.066.003.040.XXX	55,4	48,26	
50	517.065.003.050.XXX	517.066.003.050.XXX	68,1	60,96	
60	517.065.003.060.XXX	517.066.003.060.XXX	80,8	73,66	
64	517.065.003.064.XXX	517.066.003.064.XXX	85,8	78,74	

XXX = see page 69

Strain Relief for Socket Connectors SERIES 517



Dimensions

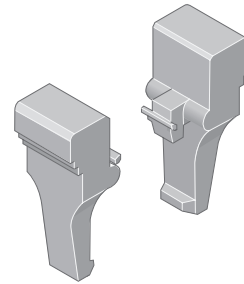


(All Dimensions in mm)

Ordering Information and Dimensions

Pos.	Part Number	Dim. A
10	517.062.710.923.000	17,3
14	517.062.714.923.000	22,4
16	517.062.716.923.000	24,9
20	517.062.720.923.000	30,0
26	517.062.726.923.000	37,6
34	517.062.734.923.000	47,8
40	517.062.740.923.000	55,4
50	517.062.750.923.000	68,1
60	517.062.760.923.000	80,8
64	517.062.764.923.000	85,8

Locking Latch for Socket Connectors SERIES 517



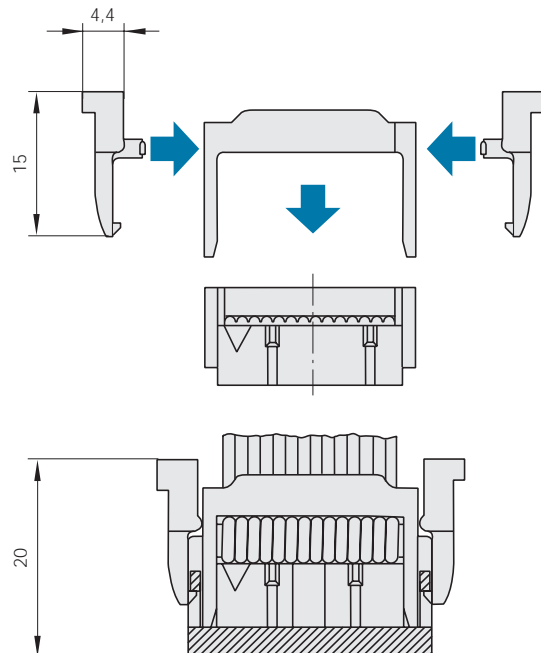
Features

- Can be added after connector assembly
- Serves as additional locking mechanism
- For low profile designs
- us recognized

latches for socket connectors SERIES 517 and low profile headers can be installed in the strain relief without the use of special tools.

The latches serve also as ejectors. They can be installed after the IDC termination process.

Attachment of the latches to the completed connector is simple and without special skill requirements.

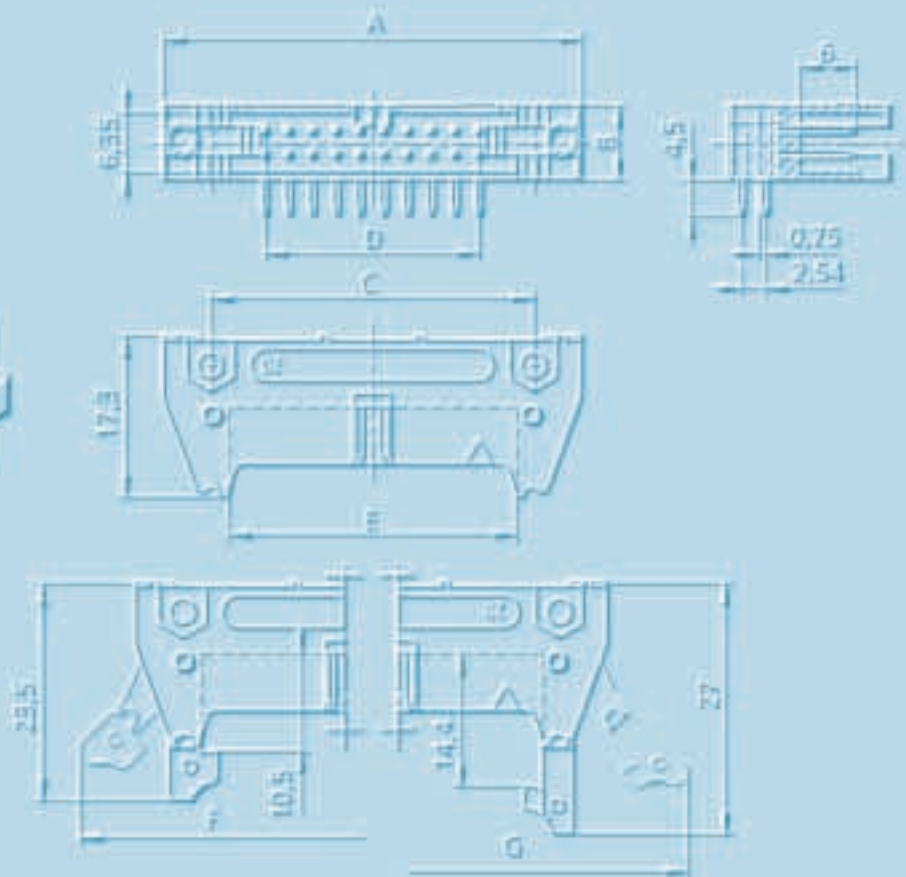
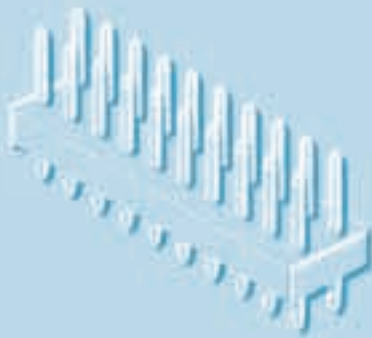


Ordering Information

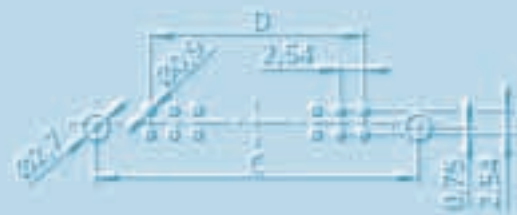
Part Number
517.063.105.923.000



Header 2-rows DIN EN 60 603-13, straight with Solder Pins L = 3.2 mm, without, short or long latches	10
Header 2-rows DIN EN 60 603-13, straight with Solder Pins L = 4.5 mm, without, short or long latches	11
Header 2-rows DIN EN 60 603-13, right-angle with Solder Pins L = 3.2 mm, without, short or long latches	12
Header 2-rows DIN EN 60 603-13, right-angle with Solder Pins L = 4.5 mm, without, short or long latches	13
Header 2-rows low Profile, straight with Solder Pins L = 3.2 or 4.5 mm	14
Header 2-rows low Profile, right-angle with Solder Pins L = 3.2 or 4.5 mm	15
Header 2-rows, unprotected, straight	16
Header 2-rows, unprotected, right-angle	17




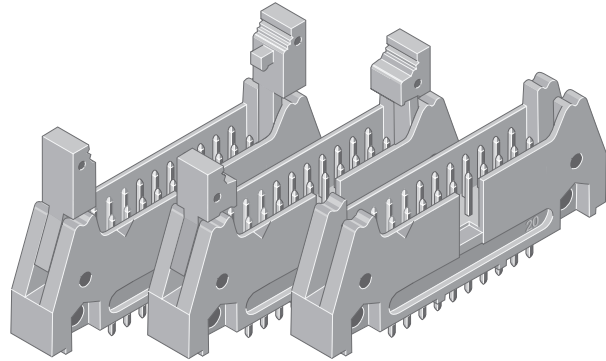
Headers Solder-In Technology



Header Series 511
DIN EN 60 603-13 (DIN 41651), Straight, Solder Pin Length 3,2 mm

Features

- Grid 2,54 x 2,54 mm
- 2-rows
- Shrouded design
- Center polarization
- Straight contacts, cross-section 0,64 x 0,64 mm
- 10 to 64 positions
- Available without, short or long latches
-  US recognized



Technical Data

Electrical Specifications

Current Rating: ≤ 5 A
 Test Voltage: 1000 Volt eff.

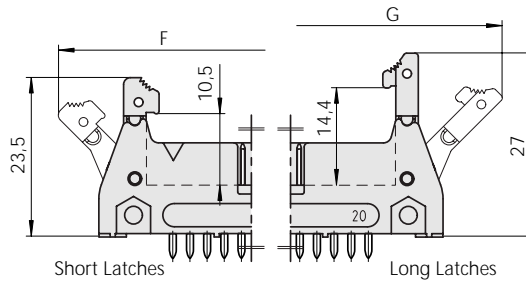
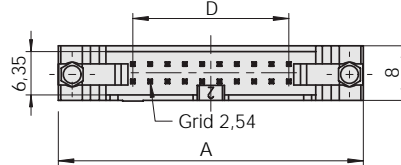
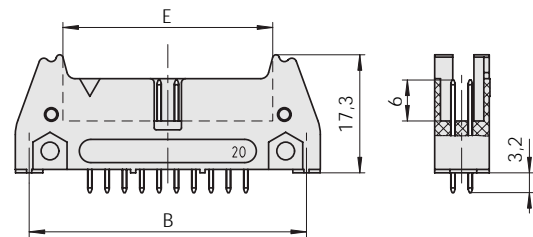
Mechanical Specifications

Operating Temperature: -55°C to +125°C
 Humidity: 75% rel. humidity acc. to
 DIN 40 040
 MIL-C-21 097B

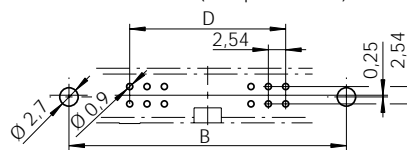
Materials and Surface Finish

Contact Finish
 Contact Area: 20 μ" (0,5 μm) Au over 50 μ" (1,25 μm) Ni
 MIL-G-45 204B Class 00
 Termination Area: 120 μ" (3,0 μm) Sn over 50 μ" (1,25 μm) Ni
 Insulation Body: PBT glass-filled grey
 UL flammability rated 94 V-0
 Contact: Cu alloy

For other versions with different surface finishes please see page 67



PCB Pattern (Component Side)

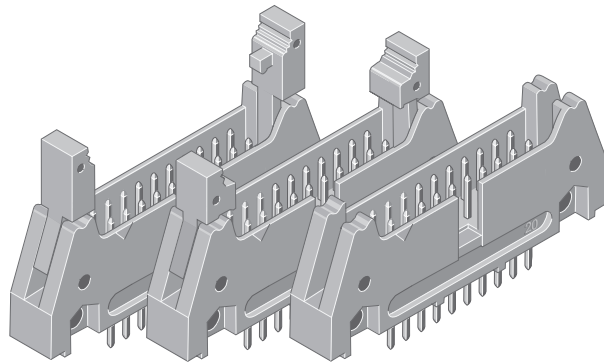


Ordering Information and Dimensions (All Dimensions in mm)


Pos.	Part Number without latches	Part Number with short latches	Part Number with long latches	Dim. A	Dim. B	Dim. D	Dim. E	Dim. F	Dim. G
10	511.060.003.010.XXX	511.061.003.010.XXX	511.062.003.010.XXX	32,0	27,94	10,16	18,05	48,0	52,0
14	511.060.003.014.XXX	511.061.003.014.XXX	511.062.003.014.XXX	37,1	33,02	15,24	23,15	53,1	57,1
16	511.060.003.016.XXX	511.061.003.016.XXX	511.062.003.016.XXX	39,6	35,56	17,78	25,65	55,6	59,6
20	511.060.003.020.XXX	511.061.003.020.XXX	511.062.003.020.XXX	44,7	40,64	22,86	30,75	60,7	64,7
26	511.060.003.026.XXX	511.061.003.026.XXX	511.062.003.026.XXX	52,3	48,26	30,48	38,35	68,3	72,3
34	511.060.003.034.XXX	511.061.003.034.XXX	511.062.003.034.XXX	62,5	58,42	40,64	48,55	78,5	82,5
40	511.060.003.040.XXX	511.061.003.040.XXX	511.062.003.040.XXX	70,1	66,04	48,26	56,15	86,1	90,1
50	511.060.003.050.XXX	511.061.003.050.XXX	511.062.003.050.XXX	82,8	78,74	60,96	68,85	98,8	102,8
60	511.060.003.060.XXX	511.061.003.060.XXX	511.062.003.060.XXX	95,5	91,44	73,66	81,55	111,5	115,5
64	511.060.003.064.XXX	511.061.003.064.XXX	511.062.003.064.XXX	100,6	96,52	78,74	86,65	116,6	120,6

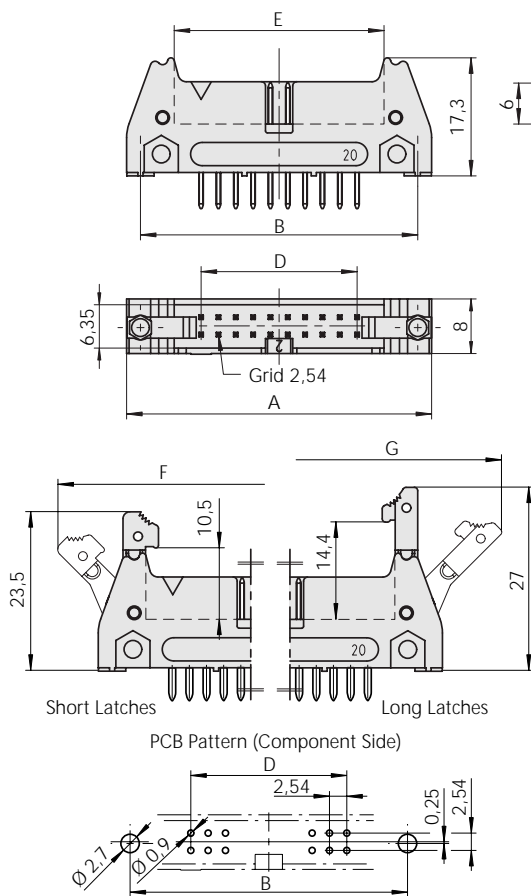
XXX = see page 69

Header Series 511
DIN EN 60 603-13 (DIN 41651), Straight, Solder Pin Length 4,5 mm



Features

- Grid 2,54 x 2,54 mm
- 2-rows
- Shrouded design
- Center polarization
- Straight contacts, cross-section 0,64 x 0,64 mm
- 10 to 64 positions
- Available without, short or long latches
-  us recognized



Technical Data

Electrical Specifications

Current Rating: ≤ 5 A
 Test Voltage: 1000 Volt eff.

Mechanical Specifications

Operating Temperature: -55°C to +125°C
 Humidity: 75% rel. humidity acc. to
 DIN 40 040
 MIL-C-21 097B

Materials and Surface Finish

Contact Finish: 20 μ" (0,5 μm) Au over 50 μ" (1,25 μm) Ni
 Contact Area: MIL-G-45 204B Class 00
 Termination Area: 120 μ" (3,0 μm) Sn over 50 μ" (1,25 μm) Ni
 Insulation Body: PBT glass-filled grey
 UL flammability rated 94 V-O
 Contact: Cu alloy

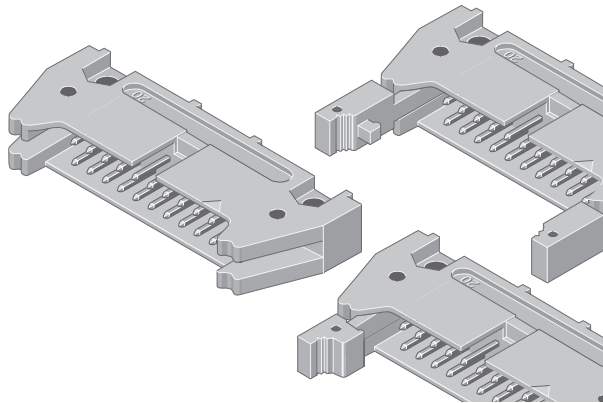
For other versions with different surface finishes please see page 67

Ordering Information and Dimensions (All Dimensions in mm)

Pos.	Part Number without latches	Part Number with short latches	Part Number with long latches	Dim. A	Dim. B	Dim. D	Dim. E	Dim. F	Dim. G
10	511.052.003.010.XXX	511.053.003.010.XXX	511.054.003.010.XXX	32,0	27,94	10,16	18,05	48,0	52,0
14	511.052.003.014.XXX	511.053.003.014.XXX	511.054.003.014.XXX	37,1	33,02	15,24	23,15	53,1	57,1
16	511.052.003.016.XXX	511.053.003.016.XXX	511.054.003.016.XXX	39,6	35,56	17,78	25,65	55,6	59,6
20	511.052.003.020.XXX	511.053.003.020.XXX	511.054.003.020.XXX	44,7	40,64	22,86	30,75	60,7	64,7
26	511.052.003.026.XXX	511.053.003.026.XXX	511.054.003.026.XXX	52,3	48,26	30,48	38,35	68,3	72,3
34	511.052.003.034.XXX	511.053.003.034.XXX	511.054.003.034.XXX	62,5	58,42	40,64	48,55	78,5	82,5
40	511.052.003.040.XXX	511.053.003.040.XXX	511.054.003.040.XXX	70,1	66,04	48,26	56,15	86,1	90,1
50	511.052.003.050.XXX	511.053.003.050.XXX	511.054.003.050.XXX	82,8	78,74	60,96	68,85	98,8	102,8
60	511.052.003.060.XXX	511.053.003.060.XXX	511.054.003.060.XXX	95,5	91,44	73,66	81,55	111,5	115,5
64	511.052.003.064.XXX	511.053.003.064.XXX	511.054.003.064.XXX	100,6	96,52	78,74	86,65	116,6	120,6

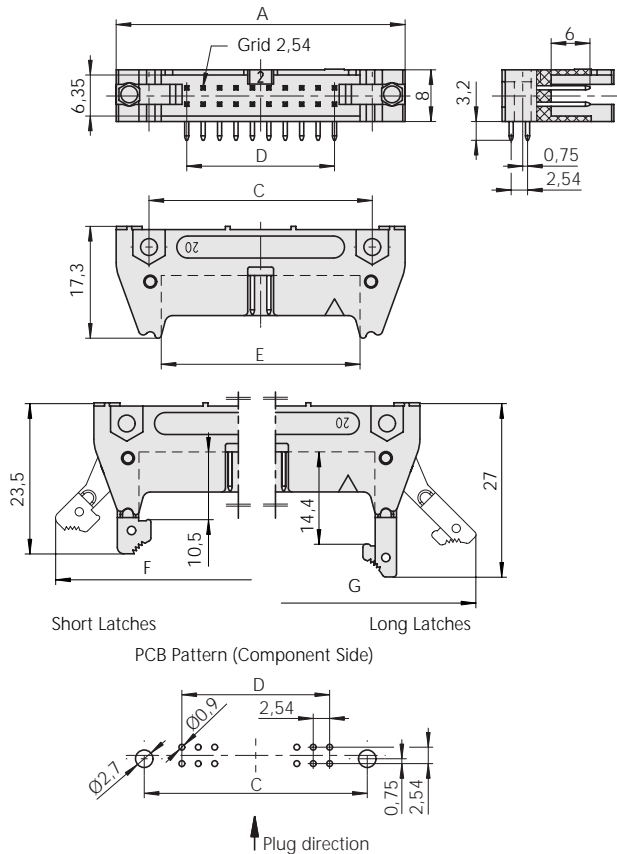
XXX = see page 69

Header Series 511
DIN EN 60 603-13 (DIN 41651), Right-Angle, Solder Pin Length 3,2 mm



Features

- Grid 2,54 x 2,54 mm
- 2-rows
- Shrouded design
- Center polarization
- Right-angle contacts, cross-section 0,64 x 0,64 mm
- 10 to 64 positions
- Available without, short or long latches
- recognized



Technical Data

Electrical Specifications

Current Rating: ≤ 5 A
 Test Voltage: 1000 Volt eff.

Mechanical Specifications

Operating Temperature: -55°C to +125°C
 Humidity: 75% rel. humidity acc. to
 DIN 40 040 / MIL-C-21 097B

Materials and Surface Finish

Contact Finish
 Contact Area: 20 μ" (0,5 μm) Au over 50 μ" (1,25 μm) Ni
 MIL-G-45 204B Class 00
 Termination Area: 120 μ" (3,0 μm) Sn over 50 μ" (1,25 μm) Ni
 Insulation Body: PBT glass-filled
 grey
 UL flammability rated 94 V-0
 Contact: Cu alloy

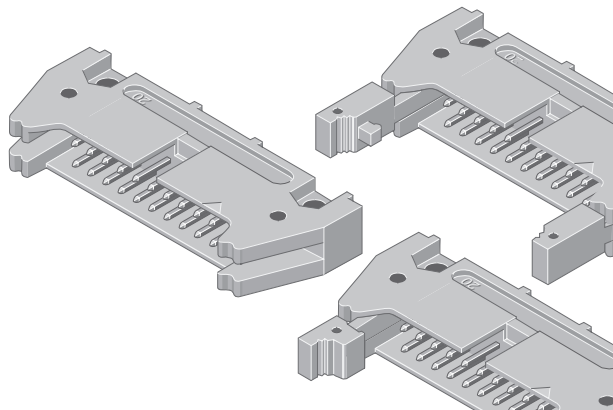
For other versions with different surface finishes please see page 67

Ordering Information and Dimensions (All Dimensions in mm)


Pos.	Part Number without latches	Part Number with short latches	Part Number with long latches	Dim. A	Dim. C	Dim. D	Dim. E	Dim. F	Dim. G
10	511.260.003.010.XXX	511.261.003.010.XXX	511.262.003.010.XXX	32,0	21,84	10,16	18,05	48,0	52,0
14	511.260.003.014.XXX	511.261.003.014.XXX	511.262.003.014.XXX	37,1	26,92	15,24	23,15	53,1	57,1
16	511.260.003.016.XXX	511.261.003.016.XXX	511.262.003.016.XXX	39,6	29,46	17,78	25,65	55,6	59,6
20	511.260.003.020.XXX	511.261.003.020.XXX	511.262.003.020.XXX	44,7	34,54	22,86	30,75	60,7	64,7
26	511.260.003.026.XXX	511.261.003.026.XXX	511.262.003.026.XXX	52,3	42,16	30,48	38,35	68,3	72,3
34	511.260.003.034.XXX	511.261.003.034.XXX	511.262.003.034.XXX	62,5	52,92	40,64	48,55	78,5	82,5
40	511.260.003.040.XXX	511.261.003.040.XXX	511.262.003.040.XXX	70,1	59,90	48,26	56,15	86,1	90,1
50	511.260.003.050.XXX	511.261.003.050.XXX	511.262.003.050.XXX	82,8	72,64	60,96	68,85	98,8	102,8
60	511.260.003.060.XXX	511.261.003.060.XXX	511.262.003.060.XXX	95,5	85,34	73,66	81,55	111,5	115,5
64	511.260.003.064.XXX	511.261.003.064.XXX	511.262.003.064.XXX	100,6	90,42	78,74	86,65	116,6	120,6

XXX = see page 69

Header Series 511
DIN EN 60 603-13 (DIN 41651), Right-Angle, Solder Pin Length 4,5 mm



Features

- Grid 2,54 x 2,54 mm
- 2-rows
- Shrouded design
- Center polarization
- Right-angle contacts, cross-section 0,64 x 0,64 mm
- 10 to 64 positions
- Available without, short or long latches
-  recognized

Technical Data

Electrical Specifications

Current Rating: ≤ 5 A
 Test Voltage: 1000 Volt eff.

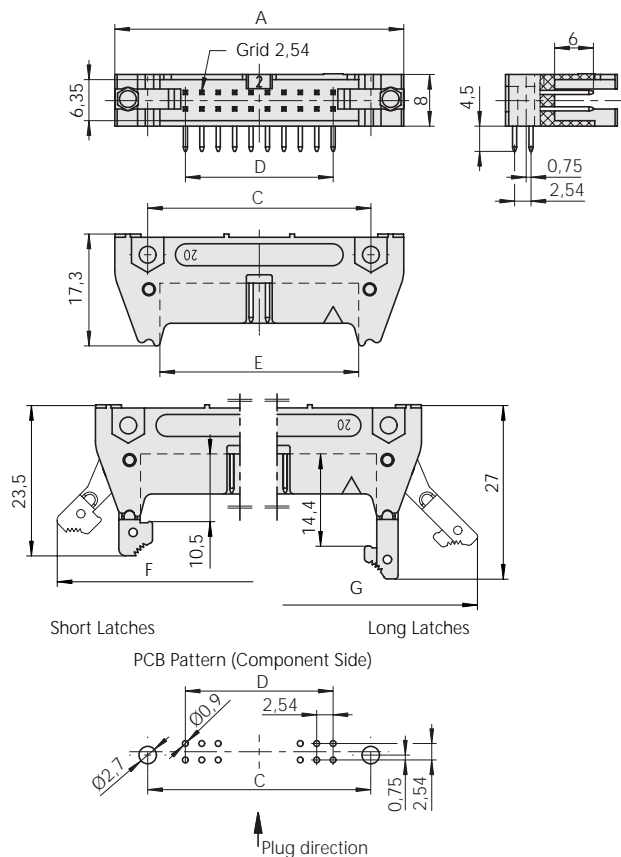
Mechanical Specifications

Operating Temperature: -55°C to +125°C
 Humidity: 75% rel. humidity acc. to
 DIN 40 040 / MIL-C-21 097B

Materials and Surface Finish

Contact Finish
 Contact Area: 20 μ" (0,5 μm) Au over 50 μ" (1,25 μm) Ni
 MIL-G-45 204B Class 00
 Termination Area: 120 μ" (3,0 μm) Sn over 50 μ" (1,25 μm) Ni
 Insulation Body: PBT glass-filled
 grey
 UL flammability rated 94 V-0
 Contact: Cu alloy

For other versions with different surface finishes please see page 67

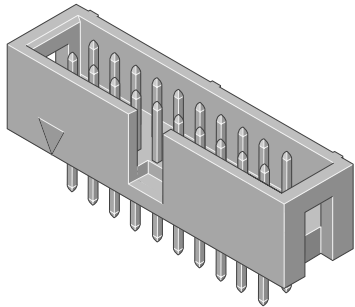


Ordering Information and Dimensions (All Dimensions in mm)

Pos.	Part Number without latches	Part Number with short latches	Part Number with long latches	Dim. A	Dim. C	Dim. D	Dim. E	Dim. F	Dim. G
10	511.252.003.010.XXX	511.253.003.010.XXX	511.254.003.010.XXX	32,0	21,84	10,16	18,05	48,0	52,0
14	511.252.003.014.XXX	511.253.003.014.XXX	511.254.003.014.XXX	37,1	26,92	15,24	23,15	53,1	57,1
16	511.252.003.016.XXX	511.253.003.016.XXX	511.254.003.016.XXX	39,6	29,46	17,78	25,65	55,6	59,6
20	511.252.003.020.XXX	511.253.003.020.XXX	511.254.003.020.XXX	44,7	34,54	22,86	30,75	60,7	64,7
26	511.252.003.026.XXX	511.253.003.026.XXX	511.254.003.026.XXX	52,3	42,16	30,48	38,35	68,3	72,3
34	511.252.003.034.XXX	511.253.003.034.XXX	511.254.003.034.XXX	62,5	52,92	40,64	48,55	78,5	82,5
40	511.252.003.040.XXX	511.253.003.040.XXX	511.254.003.040.XXX	70,1	59,90	48,26	56,15	86,1	90,1
50	511.252.003.050.XXX	511.253.003.050.XXX	511.254.003.050.XXX	82,8	72,64	60,96	68,85	98,8	102,8
60	511.252.003.060.XXX	511.253.003.060.XXX	511.254.003.060.XXX	95,5	85,34	73,66	81,55	111,5	115,5
64	511.252.003.064.XXX	511.253.003.064.XXX	511.254.003.064.XXX	100,6	90,42	78,74	86,65	116,6	120,6

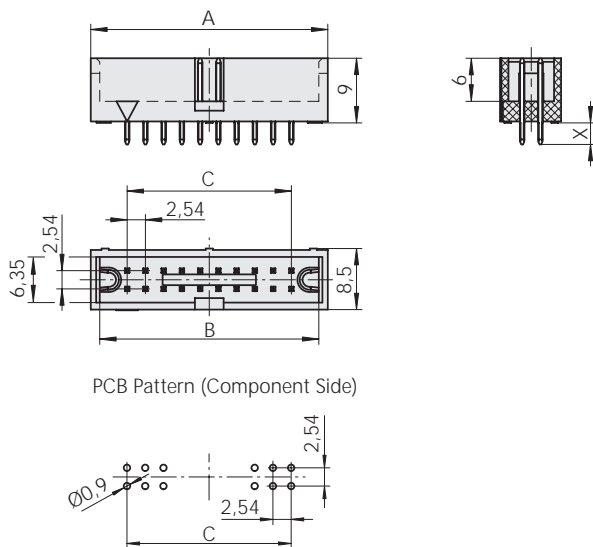
XXX = see page 69

Header Series 511
Low Profile, Straight



Features

- Grid 2,54 x 2,54 mm
- 2-rows
- Shrouded low profile design
- Center polarization
- Straight contacts, cross-section 0,64 x 0,64 mm
- Solder pins available in two lengths 3,2 mm and 4,5 mm
- 10 to 64 positions
- recognized



Technical Data

Electrical Specifications

Current rating: ≤ 5 A
Test voltage: 1000 Volt eff.

Mechanical Specifications

Operating Temperature: -55°C to +125°C

Humidity: 75% rel. humidity acc. to
DIN 40 040 / MIL-C-21 097B

Materials and Surface Finish

Contact finish
Contact Area: 20 μ" (0,5 μm) Au over 50 μ" (1,25 μm) Ni
MIL-G-45 204B Class 00
Termination Area: 120 μ" (3,0 μm) Sn over 50 μ" (1,25 μm) Ni
Insulation Body: PBT glass-filled grey
UL flammability rated 94 V-O
Contact: Cu alloy


Ordering Information and Dimensions (All Dimensions in mm)

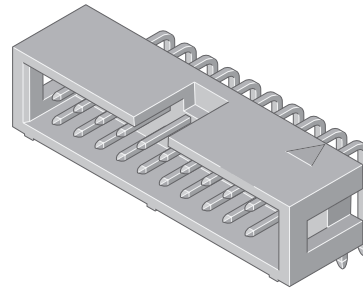
Pos.	Part Number Solder Pin (X) = 3,2 mm	Part Number Solder Pin (X) = 4,5 mm	Dim. A	Dim. B	Dim. C	Additional ordering information
10	511.066.003.010.XXX	511.073.003.010.XXX	20,3	17,8	10,16	For other versions with different surface finishes please see page 67.
14	511.066.003.014.XXX	511.073.003.014.XXX	25,4	22,9	15,24	
16	511.066.003.016.XXX	511.073.003.016.XXX	27,9	25,4	17,78	
20	511.066.003.020.XXX	511.073.003.020.XXX	33,0	30,5	22,86	
26	511.066.003.026.XXX	511.073.003.026.XXX	40,6	38,1	30,48	
34	511.066.003.034.XXX	511.073.003.034.XXX	50,8	48,3	40,64	
40	511.066.003.040.XXX	511.073.003.040.XXX	58,4	55,8	48,26	
50	511.066.003.050.XXX	511.073.003.050.XXX	71,1	68,6	60,96	
60	511.066.003.060.XXX	511.073.003.060.XXX	83,8	81,3	73,66	
64	511.066.003.064.XXX	511.073.003.064.XXX	88,9	86,4	78,74	

XXX = see page 69

Header Series 511 Low Profile, Right-Angle

Features

- Grid 2,54 x 2,54 mm
- 2-rows
- Shrouded Low Profile design
- Center polarization
- Right-angle contacts, cross-section 0,64 x 0,64 mm
- Solder pins available in 2 lengths 3,2 mm and 4,5 mm
- 10 to 64 positions
-  US recognized



Technical Data

Electrical Specifications

Current rating: ≤ 5 A
Test voltage: 1000 Volt eff.

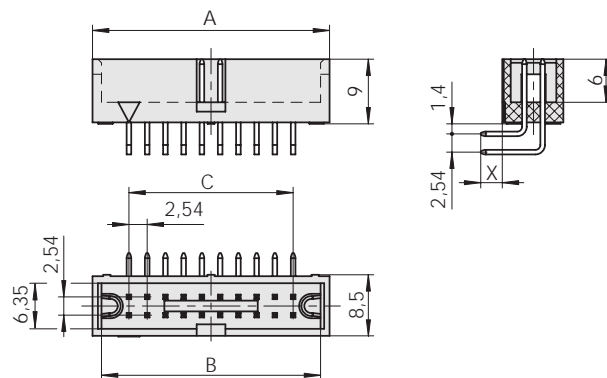
Mechanical Specifications

Operating Temperature: -55°C to +125°C

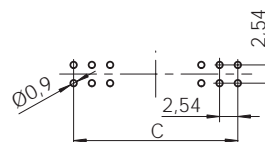
Humidity: 75% rel. humidity acc. to
DIN 40 040 / MIL-C-21 097B

Materials and Surface Finish

Contact finish
Contact Area: 20 μ" (0,5 μm) Au over 50 μ" (1,25 μm) Ni
MIL-G-45 204B Class 00
Termination Area: 120 μ" (3,0 μm) Sn over 50 μ" (1,25 μm) Ni
Insulation Body: PBT glass-filled grey
UL flammability rated 94 V-O
Contact: Cu alloy



PCB Pattern (Component Side)

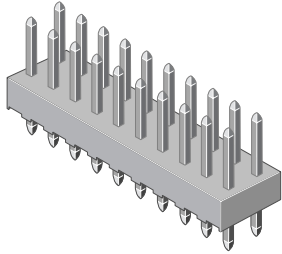


Ordering Information and Dimensions (All Dimensions in mm)


Pos.	Part Number Solder Pin (X) = 3,2 mm	Part Number Solder Pin (X) = 4,5 mm	Dim. A	Dim. B	Dim. C	Additional ordering information
10	511.266.003.010.XXX	511.273.003.010.XXX	20,3	17,8	10,16	For other versions with different surface finishes please see page 67.
14	511.266.003.014.XXX	511.273.003.014.XXX	25,4	22,9	15,24	
16	511.266.003.016.XXX	511.273.003.016.XXX	27,9	25,4	17,48	
20	511.266.003.020.XXX	511.273.003.020.XXX	33,0	30,5	22,86	
26	511.266.003.026.XXX	511.273.003.026.XXX	40,6	38,1	30,48	
34	511.266.003.034.XXX	511.273.003.034.XXX	50,8	48,3	40,64	
40	511.266.003.040.XXX	511.273.003.040.XXX	58,4	55,8	48,26	
50	511.266.003.050.XXX	511.273.003.050.XXX	71,1	68,6	60,96	
60	511.266.003.060.XXX	511.273.003.060.XXX	83,8	81,3	73,66	
64	511.266.003.064.XXX	511.273.003.064.XXX	88,9	86,4	78,74	

XXX = see page 69

Headers SERIES 511 Unprotected, straight



Features

- Grid 2,54 x 2,54 mm
- 2-rows
- Straight contacts, cross-section 0,64 x 0,64 mm
- Insertion depth 6,0 mm
-  recognized

Technical Data

Electrical Specifications

Current rating: ≤ 5 A
Test voltage: 1500 Volt eff.

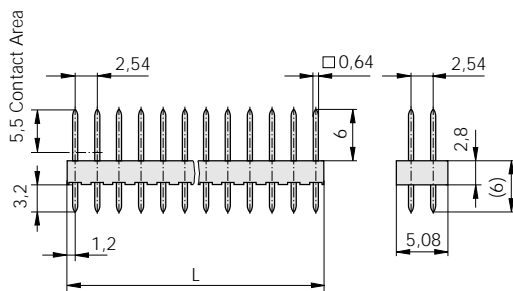
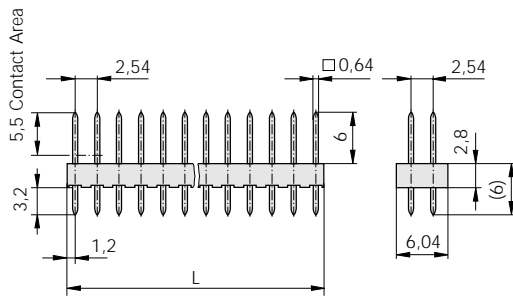
Mechanical Specifications

Operating Temperature: -55°C to +125°C

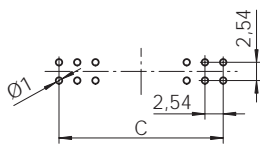
Humidity: 75% rel. humidity acc. to
DIN 40 040 / MIL-C-21 097B

Materials and Surface Finish

Contact finish
Contact Area: 20 μ" (0,5 μm) Au over 50 μ" (1,25 μm) Ni
MIL-G-45 204B Class 00
Termination Area: 120 μ" (3,0 μm) Sn over 50 μ" (1,25 μm) Ni
Insulation Body: PBT glass-filled, grey
UL flammability rated 94 V-O
Contact: Cu alloy



PCB Pattern (Component Side)




Ordering Information and Dimensions (All Dimensions in mm)

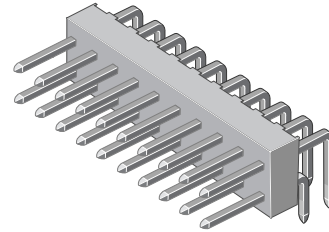
Pos.	Part Number Ins. body 6,04 x 2,8 mm	Part Number Ins. body 5,08 x 2,8 mm	Dim. C	Dim. L	Additional ordering information
10	511.030.003.010.XXX	511.032.003.010.XXX	10,16	12,56	For other versions with different surface finishes please see page 67
14	511.030.003.014.XXX	511.032.003.014.XXX	15,24	17,64	
16	511.030.003.016.XXX	511.032.003.016.XXX	17,48	20,18	
20	511.030.003.020.XXX	511.032.003.020.XXX	22,86	25,26	
26	511.030.003.026.XXX	511.032.003.026.XXX	30,48	32,88	
34	511.030.003.034.XXX	511.032.003.034.XXX	40,46	43,04	
40	511.030.003.040.XXX	511.032.003.040.XXX	48,26	50,66	
50	511.030.003.050.XXX	511.032.003.050.XXX	60,96	63,36	
60	511.030.003.060.XXX	511.032.003.060.XXX	73,66	76,06	
64	511.030.003.064.XXX	not available	78,74	81,14	

XXX = see page 69

Headers SERIES 511 Unprotected, Right-Angle

Features

- Grid 2,54 x 2,54 mm
- 2-rows
- Right-angle contacts, cross-section 0,64 x 0,64 mm
- Insertion depth 6,5 mm
-  US recognized



Technical Data

Electrical Specifications

Current rating: ≤ 5 A
Test voltage: 1500 Volt eff.

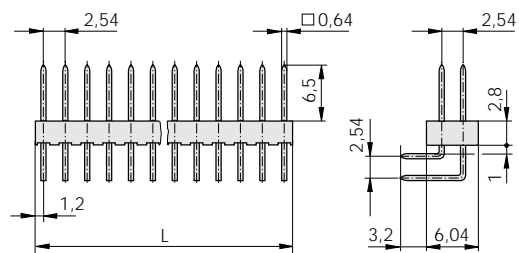
Mechanical Specifications

Operating Temperature: -55°C to +125°C

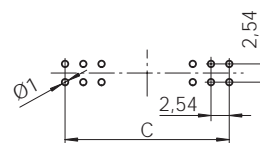
Humidity: 75% rel. humidity acc. to
DIN 40 040 / MIL-C-21 097B

Materials and Surface Finish

Contact finish
Contact Area: 20 μ" (0,5 μm) Au over 50 μ" (1,25 μm) Ni
MIL-G-45 204B Class 00
Termination Area: 120 μ" (3,0 μm) Sn over 50 μ" (1,25 μm) Ni
Insulation Body: PBT glass-filled, grey
UL flammability rated 94 V-O
Contact: Cu alloy



PCB Pattern (Component Side)



Ordering Information and Dimensions (All Dimensions in mm)

Pos.	Part Number	Dim. C	Dim. L	Additional ordering information
10	511.270.003.010.XXX	10,16	12,56	For other versions with different surface finishes please see page 67
14	511.270.003.014.XXX	15,24	17,64	
16	511.270.003.016.XXX	17,48	20,18	
20	511.270.003.020.XXX	22,86	25,26	
26	511.270.003.026.XXX	30,48	32,88	
34	511.270.003.034.XXX	40,46	43,04	
40	511.270.003.040.XXX	48,26	50,66	
50	511.270.003.050.XXX	60,96	63,36	
60	511.270.003.060.XXX	73,66	76,06	
64	511.270.003.064.XXX	78,74	81,14	

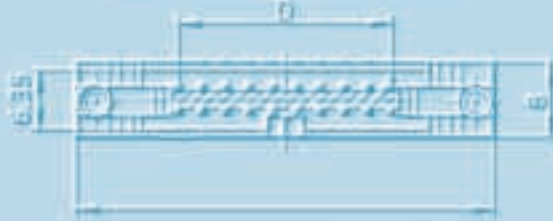
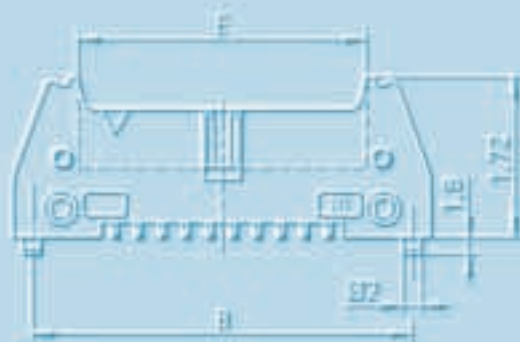
XXX = see page 69



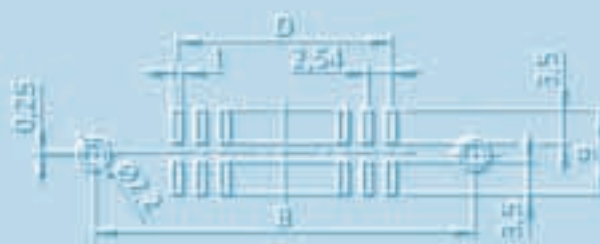
For Your Notes



Header 2-rows DIN EN 60 603-13, straight, without, short or long latches 20
 Header 2-rows DIN EN 60 603-13, right-angle, without, short or long latches 21
 Header 2-rows low Profile, straight 22
 Header 2-rows, unprotected, straight 23
 Header 2-rows, unprotected, right-angle 24



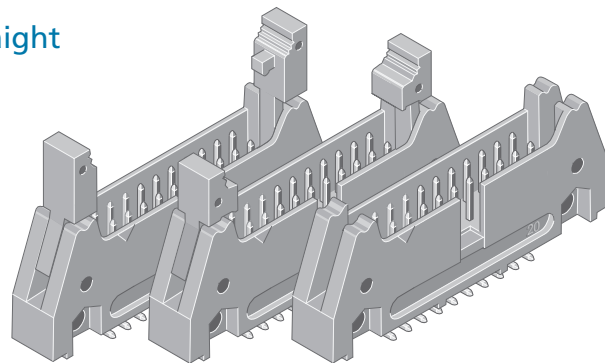
Headers SMT (Surface Mounting Technology)



Header Series 511
DIN EN 60 603-13 (DIN 41651) in SMT straight

Features

- Grid 2,54 x 2,54 mm
- 2-rows
- Shrouded design
- Center polarization
- Straight SMT-contacts, cross-section 0,64 x 0,64 mm
- 10 to 64 positions
- Available without, short or long latches
- with solderable Metal Guide-Pins



Technical Data

Electrical Specifications

Current rating: > 5 A
 Test voltage: 1000 Volt eff.

Mechanical Specifications

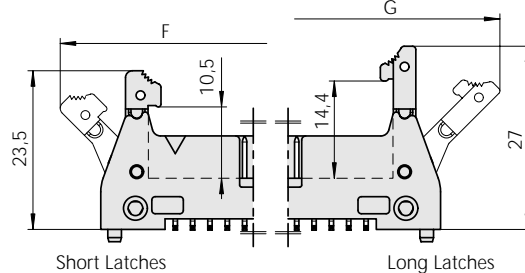
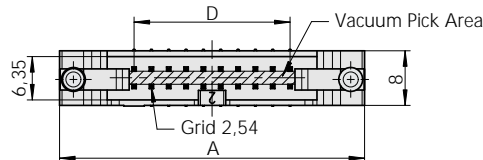
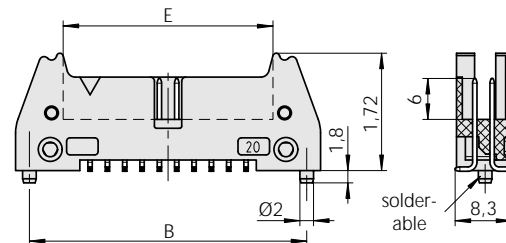
Operating Temperature: -55°C to +125°C
 SMT-Solder Temperature
 (max. 30s) on the solder area: 260°C

Humidity: 75% rel. humidity acc. to MIL-C-21 097

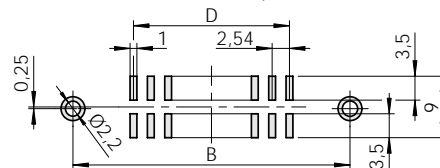
Materials and Surface Finish

Contact finish
 Contact Area: 20 μ" (0,5 μm) Au over 50 μ" (1,25 μm) Ni
 MIL-G-45 204B Class 00
 Termination Area: 120 μ" (3,0 μm) Sn over 50 μ" (1,25 μm) Ni
 Insulation Body: LCP black
 UL flammability rated 94 V-O
 Contact: Cu alloy

For other versions with different surface finishes please see page 67



PCB Pattern (Component Side)



Ordering Information and Dimensions (All Dimensions in mm)

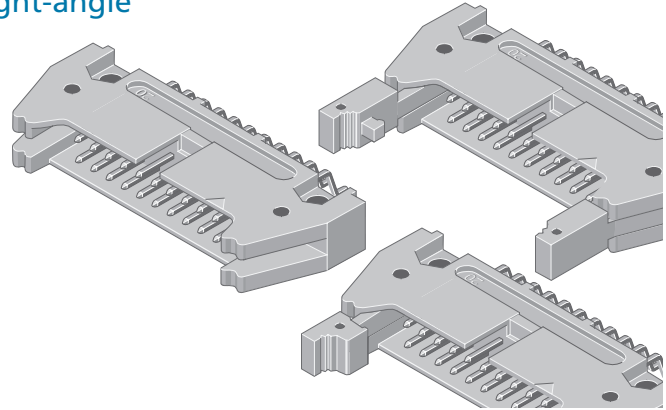
Pos.	Part Number without latches	Part Number with short latches	Part Number with long latches	Dim. A	Dim. B	Dim. D	Dim. E	Dim. F	Dim. G
10	511.150.803.010.XXX	511.151.803.010.XXX	511.152.803.010.XXX	32,0	27,94	10,16	18,05	48,0	52,0
14	511.150.803.014.XXX	511.151.803.014.XXX	511.152.803.014.XXX	37,1	33,02	15,24	23,15	53,1	57,1
16	511.150.803.016.XXX	511.151.803.016.XXX	511.152.803.016.XXX	39,6	35,56	17,78	25,65	55,6	59,6
20	511.150.803.020.XXX	511.151.803.020.XXX	511.152.803.020.XXX	44,7	40,64	22,86	30,75	60,7	64,7
26	511.150.803.026.XXX	511.151.803.026.XXX	511.152.803.026.XXX	52,3	48,26	30,48	38,35	68,3	72,3
34	511.150.803.034.XXX	511.151.803.034.XXX	511.152.803.034.XXX	62,5	58,42	40,64	48,55	78,5	82,5
40	511.150.803.040.XXX	511.151.803.040.XXX	511.152.803.040.XXX	70,1	66,04	48,26	56,15	86,1	90,1
50	511.150.803.050.XXX	511.151.803.050.XXX	511.152.803.050.XXX	82,8	78,74	60,96	68,85	98,8	102,8
60	511.150.803.060.XXX	511.151.803.060.XXX	511.152.803.060.XXX	95,5	91,44	73,66	81,55	111,5	115,5
64	511.150.803.064.XXX	511.151.803.064.XXX	511.152.803.064.XXX	100,6	96,52	78,74	86,65	116,6	120,6

XXX = see page 69

Header Series 511 DIN EN 60 603-13 (DIN 41651) in SMT right-angle

Features

- Grid 2,54 x 2,54 mm
- 2-rows
- Shrouded design
- Center polarization
- Right-angle SMT-contacts, cross-section 0,64 x 0,64 mm
- 10 to 64 positions
- Available without, short or long latches
- with solderable Metal Guide-Pins



Technical Data

Electrical Specifications

Current rating: < 5 A
Test voltage: 1000 Volt eff.

Mechanical Specifications

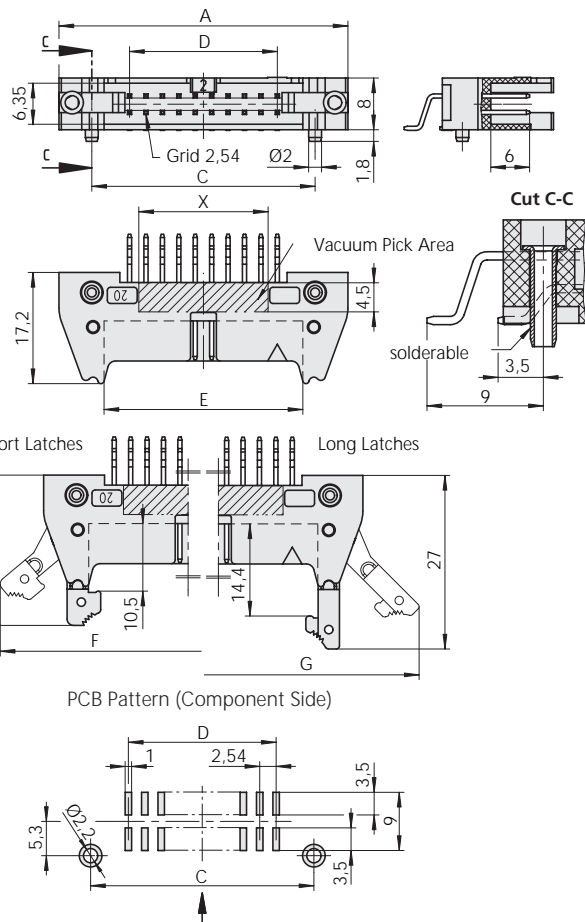
Operating Temperature: -55°C to +125°C
SMT-Solder Temperature
(max. 30s) on the solder area: 260°C

Humidity: 75% rel. humidity acc. to MIL-C-21 097

Materials and Surface Finish

Contact finish
Contact Area: 20 μ" (0,5 μm) Au over 50 μ" (1,25 μm) Ni
MIL-G-45 204B Class 00
Termination Area: 120 μ" (3,0 μm) Sn over 50 μ" (1,25 μm) Ni
Insulation Body: LCP black
UL flammability rated 94 V-O
Contact: Cu alloy

For other versions with different surface finishes please see page 67

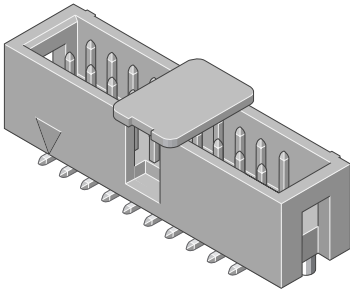


Ordering Information and Dimensions (All Dimensions in mm)

Pos.	Part Number without latches	Part Number with short latches	Part Number with long latches	Dim. A	Dim. C	Dim. D	Dim. E	Dim. F	Dim. G	Dim. X
10	511.110.803.010.XXX	511.111.803.010.XXX	511.112.803.010.XXX	32,0	21,84	10,16	18,05	48,0	52,0	10
14	511.110.803.014.XXX	511.111.803.014.XXX	511.112.803.014.XXX	37,1	26,92	15,24	23,15	53,1	57,1	10
16	511.110.803.016.XXX	511.111.803.016.XXX	511.112.803.016.XXX	39,6	29,46	17,78	25,65	55,6	59,6	10
20	511.110.803.020.XXX	511.111.803.020.XXX	511.112.803.020.XXX	44,7	34,54	22,86	30,75	60,7	64,7	20
26	511.110.803.026.XXX	511.111.803.026.XXX	511.112.803.026.XXX	52,3	42,16	30,48	38,35	68,3	72,3	20
34	511.110.803.034.XXX	511.111.803.034.XXX	511.112.803.034.XXX	62,5	52,92	40,64	48,55	78,5	82,5	20
40	511.110.803.040.XXX	511.111.803.040.XXX	511.112.803.040.XXX	70,1	59,90	48,26	56,15	86,1	90,1	20
50	511.110.803.050.XXX	511.111.803.050.XXX	511.112.803.050.XXX	82,8	72,64	60,96	68,85	98,8	102,8	20
60	511.110.803.060.XXX	511.111.803.060.XXX	511.112.803.060.XXX	95,5	85,34	73,66	81,55	111,5	115,5	20
64	511.110.803.064.XXX	511.111.803.064.XXX	511.112.803.064.XXX	100,6	90,42	78,74	86,65	116,6	120,6	20

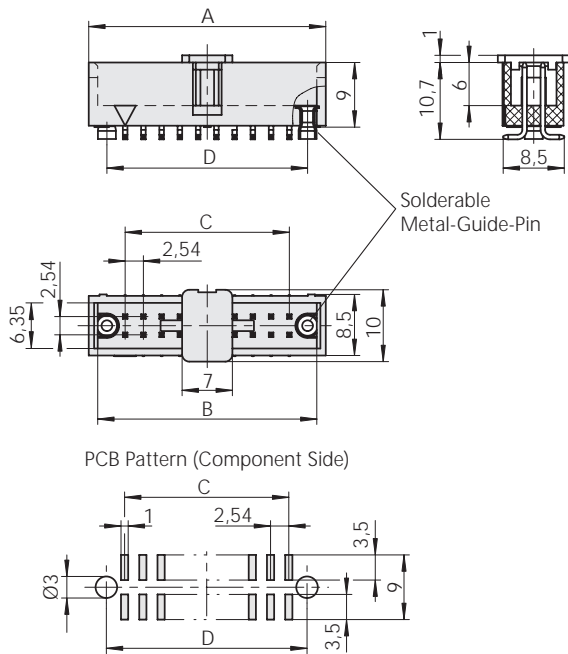
XXX = see page 69

Header Series 511
Low Profile in SMT, straight



Features

- Grid 2,54 x 2,54 mm
- 2-rows
- Shrouded, low profile design
- Center polarization
- Straight SMT-contacts
- 10 to 64 positions
- With solderable SMT-Metal-Guide-Pins



Technical Data

Electrical Specifications

Current rating: < 5 A
Test voltage: 1000 Volt eff.

Mechanical Specifications

Operating Temperature: -55°C to +125°C
SMT-Solder Temperature (max. 30s) on the solder area: 260°C

Humidity: 75% rel. humidity acc. to MIL-C-21 097

Materials and Surface Finish

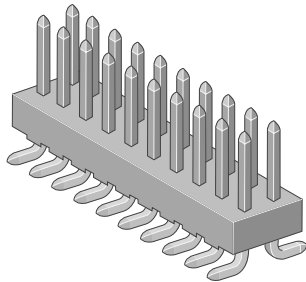
Contact finish
Contact Area: 20 μ" (0,5 μm) Au over 50 μ" (1,25 μm) Ni
MIL-G-45 204B Class 00
Termination Area: 120 μ" (3,0 μm) Sn over 50 μ" (1,25 μm) Ni
Insulation Body: LCP black
UL flammability rated 94 V-O
Contact: Cu alloy

Ordering Information and Dimensions (All Dimensions in mm)

Pos.	Part Number	Dim. A	Dim. B	Dim. C	Dim. D	Additional ordering information
10	511.068.803.010.XXX	20,3	17,8	10,16	15,24	For other versions with different surface finishes please see page 67
14	511.068.803.014.XXX	25,4	22,9	15,24	20,32	
16	511.068.803.016.XXX	27,9	25,4	17,78	22,86	
20	511.068.803.020.XXX	33,0	30,5	22,86	27,94	
26	511.068.803.026.XXX	40,6	38,1	30,48	35,56	
34	511.068.803.034.XXX	50,8	48,3	40,64	45,72	
40	511.068.803.040.XXX	58,4	55,8	48,26	53,34	
50	511.068.803.050.XXX	71,1	68,6	60,96	66,04	
60	511.068.803.060.XXX	83,8	81,3	73,66	78,74	
64	511.068.803.064.XXX	88,88	86,4	78,74	83,82	

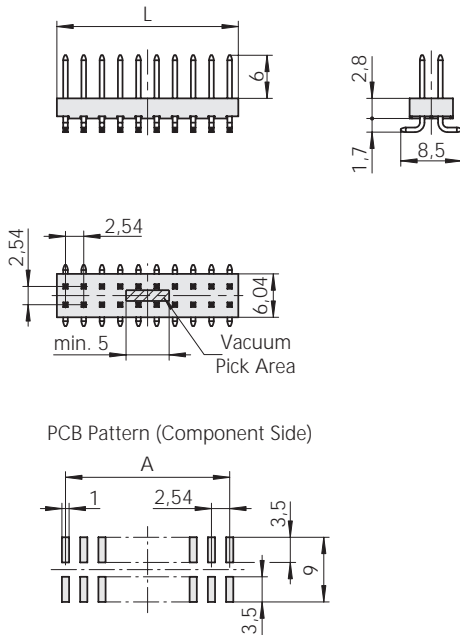
XXX = see page 69

Headers SERIES 511
unprotected in SMT, straight



Features

- Grid 2,54 x 2,54 mm
- 2-rows
- Straight SMT-contacts, cross-section 0,64 x 0,64 mm
- 10 to 64 positions



Technical Data

Electrical Specifications

Current rating: ≤ 5 A
Test voltage: 1000 Volt eff.

Mechanical Specifications

Operating Temperature: -55°C to +125°C
SMT-Solder Temperature
(max. 30s) on the solder area: 260°C

Humidity: 75% rel. humidity acc. to MIL-C-21 097B

Materials and Surface Finish

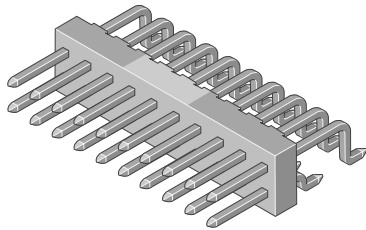
Contact finish
Contact Area: 20 μ" (0,5 μm) Au over 50 μ" (1,25 μm) Ni
MIL-G-45 204B Class 00
Termination Area: 120 μ" (3,0 μm) Sn over 50 μ" (1,25 μm) Ni
Insulation Body: LCP black
UL flammability rated 94 V-O
Contact: Cu alloy

Ordering Information and Dimensions (All Dimensions in mm)

Pos.	Part Number	Dim. A	Dim. L	Additional ordering information
10	511.302.803.010.XXX	10,16	12,56	For other versions with different surface finishes please see page 67
14	511.302.803.014.XXX	15,24	17,64	
16	511.302.803.016.XXX	17,78	20,18	
20	511.302.803.020.XXX	22,86	25,26	
26	511.302.803.026.XXX	30,48	32,88	
34	511.302.803.034.XXX	40,64	43,04	
40	511.302.803.040.XXX	48,26	50,66	
50	511.302.803.050.XXX	60,96	63,36	
60	511.302.803.060.XXX	73,66	76,06	
64	511.302.803.064.XXX	78,74	81,14	

XXX = see page 69

Headers SERIES 511
unprotected in SMT, right-angle



Features

- Grid 2,54 x 2,54 mm
- 2-rows
- Right-angle SMT-contacts, cross-section 0,64 x 0,64 mm
- 10 to 64 positions

Technical Data

Electrical Specifications

Current rating: ≤ 5 A
Test voltage: 1000 Volt eff.

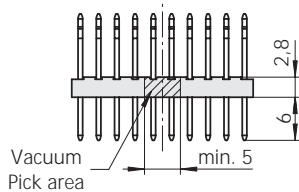
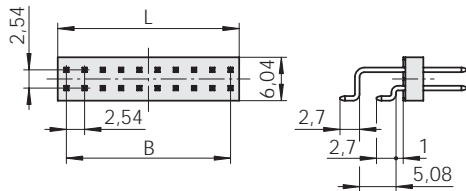
Mechanical Specifications

Operating Temperature: -55°C to +125°C
SMT-Solder Temperature (max. 30s) on the solder area: 260°C

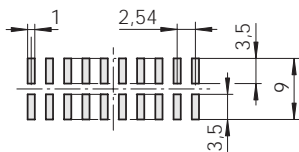
Humidity: 75% rel. humidity acc. to MIL-C-21 097B

Materials and Surface Finish

Contact finish
Contact Area: 20 μ" (0,5 μm) Au over 50 μ" (1,25 μm) Ni
MIL-G-45 204B Class 00
Termination Area: 120 μ" (3,0 μm) Sn over 50 μ" (1,25 μm) Ni
Insulation Body: LCP black
UL flammability rated 94 V-O
Contact: Cu alloy



PCB Pattern (Component Side)



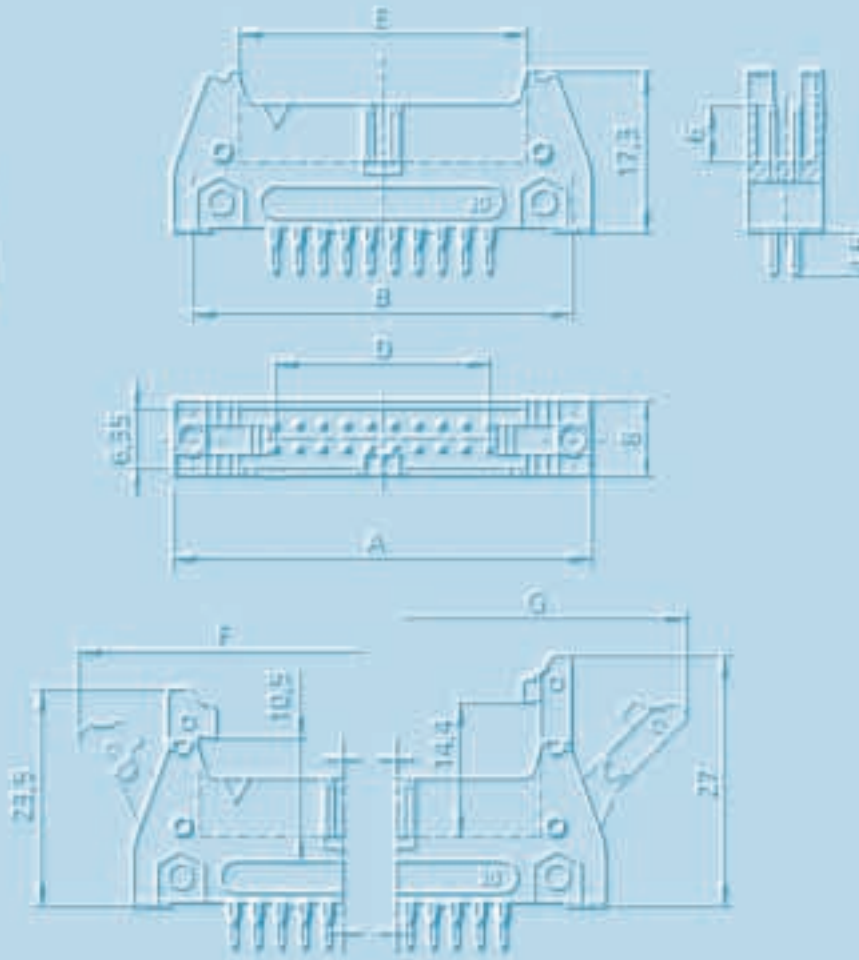
Ordering Information and Dimensions (All Dimensions in mm)

Pos.	Part Number	Dim. B	Dim. L	Additional ordering information
10	511.301.803.010.XXX	10,16	12,56	For other versions with different surface finishes please see page 67
14	511.301.803.014.XXX	15,24	17,64	
16	511.301.803.016.XXX	17,78	20,18	
20	511.301.803.020.XXX	22,86	25,26	
26	511.301.803.026.XXX	30,48	32,88	
34	511.301.803.034.XXX	40,64	43,04	
40	511.301.803.040.XXX	48,26	50,66	
50	511.301.803.050.XXX	60,96	63,36	
60	511.301.803.060.XXX	73,66	76,06	
64	511.301.803.064.XXX	78,74	81,14	

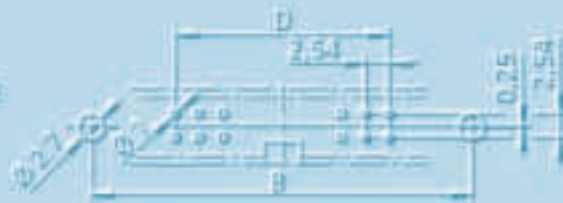
XXX = see page 69



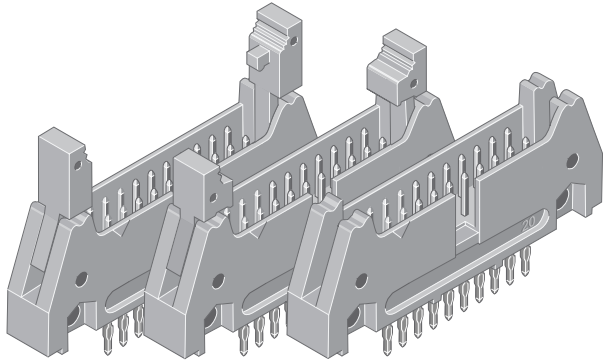
Header 2-rows DIN EN 60 603-13, straight, without, short or long latches 26
 Header 2-rows low Profile, straight 27
 Header 1-row, unprotected, straight 28
 Header 2-rows, unprotected, straight 29



Headers Press-Fit Technology



Header Series 511
DIN EN 60 603-13 (DIN 41651) with PRESS-FIT PINS, straight



Features

- Grid 2,54 x 2,54 mm
- 2-rows
- Shrouded design
- Center polarization
- Straight Press-Fit contacts, cross-section 0,64 x 0,64 mm
- 10 to 64 positions
- Available without, short or long latches
- recognized

Technical Data

Electrical Specifications

Current rating: ≤ 2 A
 Test voltage: 1000 Volt eff.

Mechanical Specifications

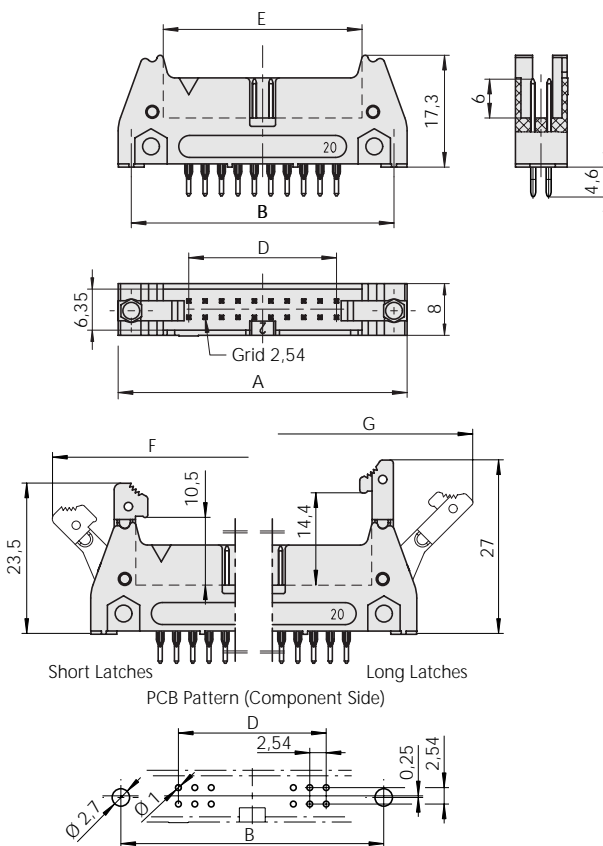
Operating Temperature: -55°C to +125°C

Humidity: 75% rel. humidity acc. to
 DIN 40 040 / MIL-C-21 097B

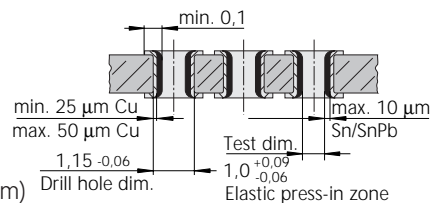
Materials and Surface Finish

Contact finish: 20 μ" (0,5 μm) Au over 50 μ" (1,25 μm) Ni
 MIL-G-45 204B Class 00
 Termination Area: 120 μ" (3,0 μm) Sn over 50 μ" (1,25 μm) Ni
 Insulation Body: PBT glass-filled grey
 UL flammability rated 94 V-O
 Contact: Cu alloy

For other versions with different surface finishes please see page 67



Hole for contacts - DIN 41611-5-EE 1.0-AD



Ordering Information and Dimensions (All Dimensions in mm)


Pos.	Part Number without latches	Part Number with short latches	Part Number with long latches	Dim. A	Dim. B	Dim. D	Dim. E	Dim. F	Dim. G
10	511.090.003.010.XXX	511.091.003.010.XXX	511.092.003.010.XXX	32,0	27,94	10,16	18,05	48,0	52,0
14	511.090.003.014.XXX	511.091.003.014.XXX	511.092.003.014.XXX	37,1	33,02	15,24	23,15	53,1	57,1
16	511.090.003.016.XXX	511.091.003.016.XXX	511.092.003.016.XXX	39,6	35,56	17,78	25,65	55,6	59,6
20	511.090.003.020.XXX	511.091.003.020.XXX	511.092.003.020.XXX	44,7	40,64	22,86	30,75	60,7	64,7
26	511.090.003.026.XXX	511.091.003.026.XXX	511.092.003.026.XXX	52,3	48,26	30,48	38,35	68,3	72,3
34	511.090.003.034.XXX	511.091.003.034.XXX	511.092.003.034.XXX	62,5	58,42	40,64	48,55	78,5	82,5
40	511.090.003.040.XXX	511.091.003.040.XXX	511.092.003.040.XXX	70,1	66,04	48,26	56,15	86,1	90,1
50	511.090.003.050.XXX	511.091.003.050.XXX	511.092.003.050.XXX	82,8	78,74	60,96	68,85	98,8	102,8
60	511.090.003.060.XXX	511.091.003.060.XXX	511.092.003.060.XXX	95,5	91,44	73,66	81,55	111,5	115,5
64	511.090.003.064.XXX	511.091.003.064.XXX	511.092.003.064.XXX	100,6	96,52	78,74	86,65	116,6	120,6

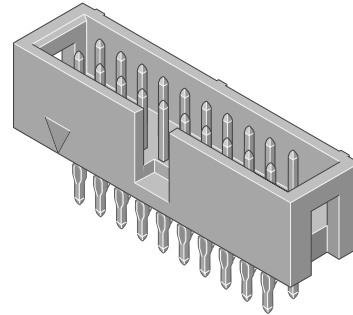
XXX = see page 69

Press in tools on request

Header Series 511 Low Profile with **PRESS-FIT PINS**, straight

Features

- Grid 2,54 x 2,54 mm
- 2-rows
- Shrouded low profile design
- Center polarization
- Straight Press-Fit contacts, cross-section 0,64 x 0,64 mm
- 10 to 64 positions
-  US recognized



Technical Data

Electrical Specifications

Current rating: ≤ 2 A
Test voltage: 1000 Volt eff.

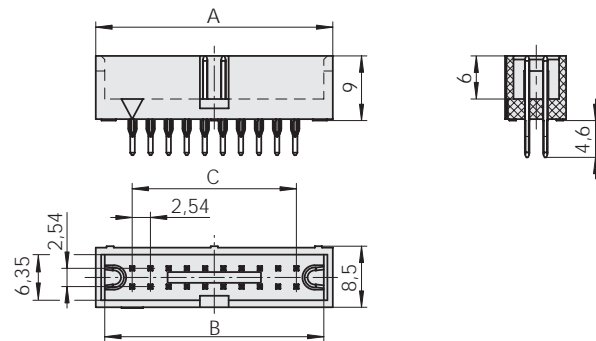
Mechanical Specifications

Operating Temperature: -55°C to +125°C

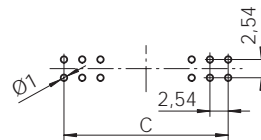
Humidity: 75% rel. humidity acc. to
DIN 40 040 / MIL-C-21 097B

Materials and Surface Finish

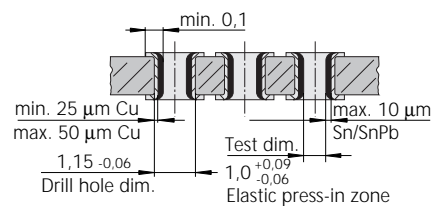
Contact finish
Contact Area: 20 μm (0,5 μm) Au over 50 μm (1,25 μm) Ni
MIL-G-45 204B Class 00
Termination Area: 120 μm (3,0 μm) Sn over 50 μm (1,25 μm) Ni
Insulation Body: PBT glass-filled grey
UL flammability rated 94 V-0
Contact: Cu alloy



PCB Pattern (Component Side)



Hole for contacts - DIN 41611-5-EE 1.0-AD



Minimum PCB Thickness is 1.5 mm

Ordering Information and Dimensions (All Dimensions in mm)

Pos.	Part Number	Dim. A	Dim. B	Dim. C	Additional ordering information
10	511.106.003.010.XXX	20,3	17,8	10,16	For other versions with different surface finishes please see page 67.
14	511.106.003.014.XXX	25,4	22,9	15,24	
16	511.106.003.016.XXX	27,9	25,4	17,48	
20	511.106.003.020.XXX	33,0	30,5	22,86	
26	511.106.003.026.XXX	40,6	38,1	30,48	
34	511.106.003.034.XXX	50,8	48,3	40,64	
40	511.106.003.040.XXX	58,4	55,8	48,26	
50	511.106.003.050.XXX	71,1	68,6	60,96	
60	511.106.003.060.XXX	83,8	81,3	73,66	
64	511.106.003.064.XXX	88,9	86,4	78,74	

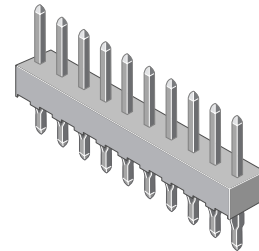
XXX = see page 69

Press in tools on request

Headers SERIES 511
Unprotected, with PRESS-FIT PINS, straight

Features

- Grid 2,54 x 2,54 mm
- 1-rows
- Straight Press-Fit contacts, cross-section 0,64 x 0,64 mm
- Insertion depth 6,0 mm
- US recognized



Technical Data

Electrical Specifications

Current rating: ≤ 2 A
 Test voltage: 1500 Volt eff.

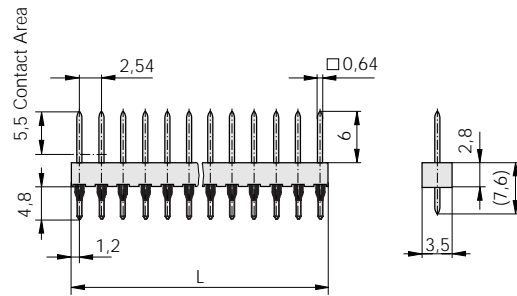
Mechanical Specifications

Operating Temperature: -55°C to +125°C

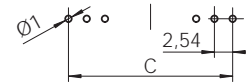
Humidity: 75% rel. humidity acc. to
 DIN 40 040 / MIL-C-21 097B

Materials and Surface Finish

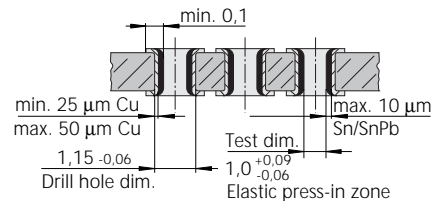
Contact finish
 Contact Area: 20 μ" (0,5 μm) Au over 50 μ" (1,25 μm) Ni
 MIL-G-45 204B Class 00
 Termination Area: 120 μ" (3,0 μm) Sn over 50 μ" (1,25 μm) Ni
 Insulation Body: PBT glass-filled, grey
 UL flammability rated 94 V-O
 Contact: Cu alloy



PCB Pattern (Component Side)



Hole for contacts - DIN 41611-5-EE 1.0-AD



Minimum PCB Thickness is 1.5 mm

For other versions with different surface finishes please see page 67

Pos.	Dim. C	Dim. L	Part Number Ins. body 3,5 x 2,8 mm
1	-	2,40	511.120.003.001.000
2	2,54	4,94	511.120.003.002.000
3	5,08	7,48	511.120.003.003.000
4	7,62	10,02	511.120.003.004.000
5	10,16	12,56	511.120.003.005.000
6	12,70	15,10	511.120.003.006.000
7	15,24	17,64	511.120.003.007.000
8	17,78	20,18	511.120.003.008.000
9	20,32	22,72	511.120.003.009.000
10	22,86	25,26	511.120.003.010.000
11	25,40	27,80	511.120.003.011.000
12	27,94	30,34	511.120.003.012.000
13	30,48	32,88	511.120.003.013.000
14	33,02	35,42	511.120.003.014.000
15	35,56	37,96	511.120.003.015.000
16	38,10	40,50	511.120.003.016.000
17	40,64	43,04	511.120.003.017.000
18	43,18	45,58	511.120.003.018.000
19	45,72	48,12	511.120.003.019.000
20	48,26	50,66	511.120.003.020.000
21	50,80	53,20	511.120.003.021.000
22	53,34	55,74	511.120.003.022.000
23	55,88	58,28	511.120.003.023.000
24	58,42	60,82	511.120.003.024.000
25	60,96	63,36	511.120.003.025.000
26	63,50	65,90	511.120.003.026.000
27	66,04	68,44	511.120.003.027.000
28	68,58	70,98	511.120.003.028.000
29	71,12	73,52	511.120.003.029.000
30	73,66	76,06	511.120.003.030.000

Press in tools on request

Headers SERIES 511
Unprotected, with PRESS-FIT PINS, straight

Technical Data

Electrical Specifications

Current rating: ≤ 2 A
 Test voltage: 1500 Volt eff.

Mechanical Specifications


Operating Temperature: -55°C to +125°C

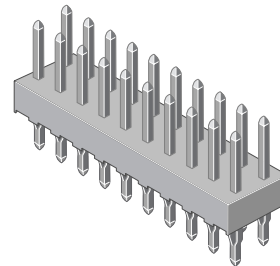
Humidity: 75% rel. humidity acc. to
 DIN 40 040 / MIL-C-21 097B

Materials and Surface Finish

Contact finish
 Contact Area: 20 μ" (0,5 μm) Au over 50 μ"
 (1,25 μm) Ni
 MIL-G-45 204B Class 00
 Termination Area: 120 μ" (3,0 μm) Sn over 50 μ"
 (1,25 μm) Ni
 Insulation Body: PBT glass-filled, grey
 UL flammability rated 94 V-0
 Contact: Cu alloy

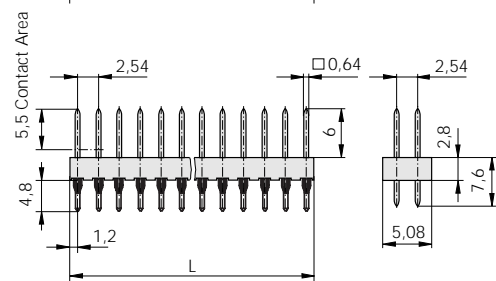
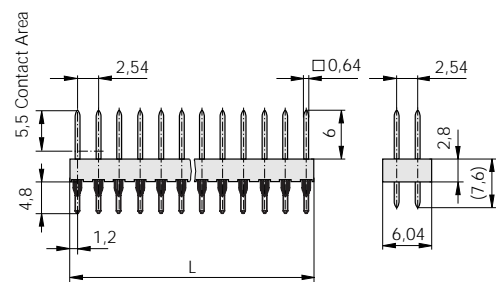
Features

- Grid 2,54 x 2,54 mm
- 2-rows
- Straight Press-Fit contacts, cross-section 0,64 x 0,64 mm
- Insertion depth 6,0 mm
-  US recognized

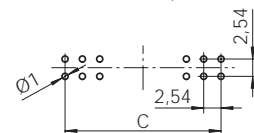


Pos.	Dim. C	Dim. L	Part Number Ins. body 6,04 x 2,8 mm	Part Number Ins. body 5,08 x 2,8 mm
2	-	2,40	511.130.003.002.000	511.132.003.002.000
4	2,54	4,94	511.130.003.004.000	511.132.003.004.000
6	5,08	7,48	511.130.003.006.000	511.132.003.006.000
8	7,62	10,02	511.130.003.008.000	511.132.003.008.000
10	10,16	12,56	511.130.003.010.000	511.132.003.010.000
12	12,70	15,10	511.130.003.012.000	511.132.003.012.000
14	15,24	17,64	511.130.003.014.000	511.132.003.014.000
16	17,78	20,18	511.130.003.016.000	511.132.003.016.000
18	20,32	22,72	511.130.003.018.000	511.132.003.018.000
20	22,86	25,26	511.130.003.020.000	511.132.003.020.000
22	25,40	27,80	511.130.003.022.000	511.132.003.022.000
24	27,94	30,34	511.130.003.024.000	511.132.003.024.000
26	30,48	32,88	511.130.003.026.000	511.132.003.026.000
28	33,02	35,42	511.130.003.028.000	511.132.003.028.000
30	35,56	37,96	511.130.003.030.000	511.132.003.030.000
32	38,10	40,50	511.130.003.032.000	511.132.003.032.000
34	40,64	43,04	511.130.003.034.000	511.132.003.034.000
36	43,18	45,58	511.130.003.036.000	511.132.003.036.000
38	45,72	48,12	511.130.003.038.000	511.132.003.038.000
40	48,26	50,66	511.130.003.040.000	511.132.003.040.000
42	50,80	53,20	511.130.003.042.000	511.132.003.042.000
44	53,34	55,74	511.130.003.044.000	511.132.003.044.000
46	55,88	58,28	511.130.003.046.000	511.132.003.046.000
48	58,42	60,82	511.130.003.048.000	511.132.003.048.000
50	60,96	63,36	511.130.003.050.000	511.132.003.050.000
52	63,50	65,90	511.130.003.052.000	511.132.003.052.000
54	66,04	68,44	511.130.003.054.000	511.132.003.054.000
56	68,58	70,98	511.130.003.056.000	511.132.003.056.000
58	71,12	73,52	511.130.003.058.000	511.132.003.058.000
60	73,66	76,06	511.130.003.060.000	511.132.003.060.000
64	78,74	81,14	511.130.003.064.000	not available

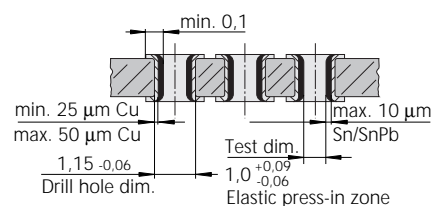
Press in tools on request



PCB Pattern (Component Side)



Hole for contacts - DIN 41611-5-EE 1.0-AD



Minimum PCB Thickness is 1.5 mm

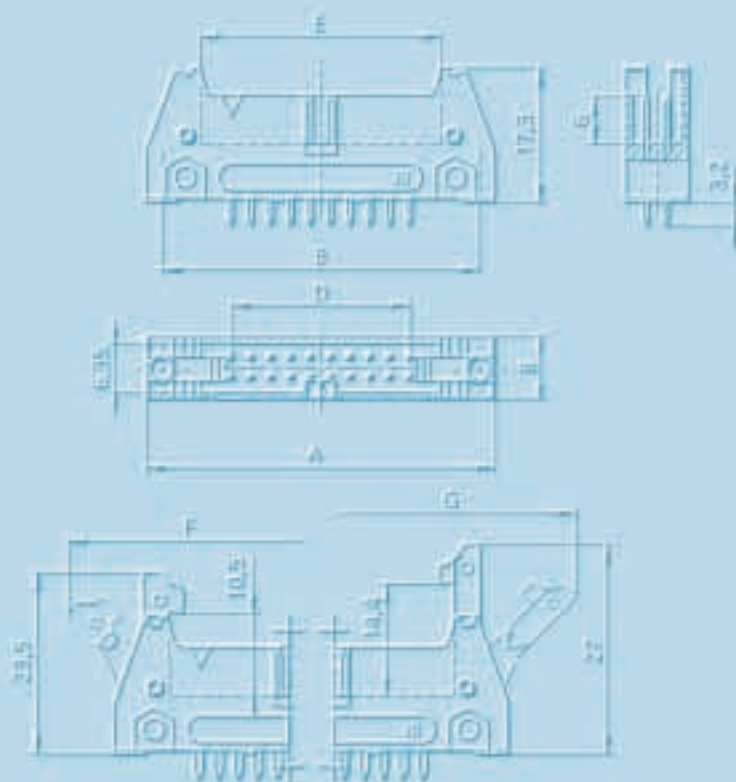
For other versions with different surface finishes please see page 67



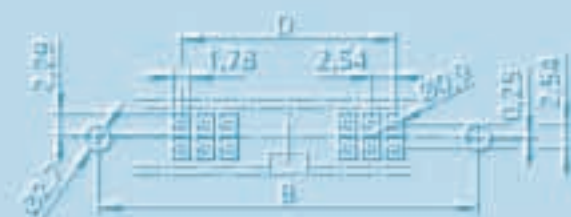
For Your Notes



Header 2-rows DIN EN 60 603-13, straight, High Temperature resistance, with Solder Pins L = 3.2 mm, without, short or long latches	32
Header 2-rows DIN EN 60 603-13, straight, High Temperature resistance, with Solder Pins L = 4.5 mm, without, short or long latches.	33
Header 2-rows DIN EN 60 603-13, right-angle, High Temperature resistance, with Solder Pins L = 3.2 mm, without, short or long latches	34
Header 2-rows DIN EN 60 603-13, right-angle, High Temperature resistance, with Solder Pins L = 4.5 mm, without, short or long latches	35
Header 2-rows low Profile, straight, High Temperature resistance, with Solder Pins L = 3.2 or 4.5 mm	36
Header 2-rows low Profile, right-angle, High Temperature resistance, with Solder Pins L = 3.2 or 4.5 mm	37
Header 2-rows low Profile, straight, High Temperature resistance, unprotected	38
Header 2-rows low Profile, right-angle, High Temperature resistance, unprotected	39




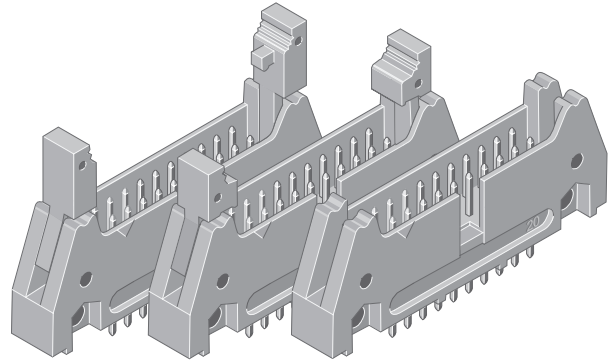
Headers Pin-in-Paste Technology



Header Series 511
High Temperature, Through-Hole (Pin in Paste)
DIN EN 60 603-13 (DIN 41651), straight, Solder-Pin Length 3,2 mm

Features

- Grid 2,54 x 2,54 mm
- 2-rows
- Shrouded design
- Center polarization
- Straight contacts, cross-section 0,64 x 0,64 mm
- 10 to 64 positions
- Available without, short or long latches
- High Temperature Resistance
-  US recognized



Technical Data

Electrical Specifications

Current rating: ≤ 5 A
 Test voltage: 1000 Volt eff.

Mechanical Specifications

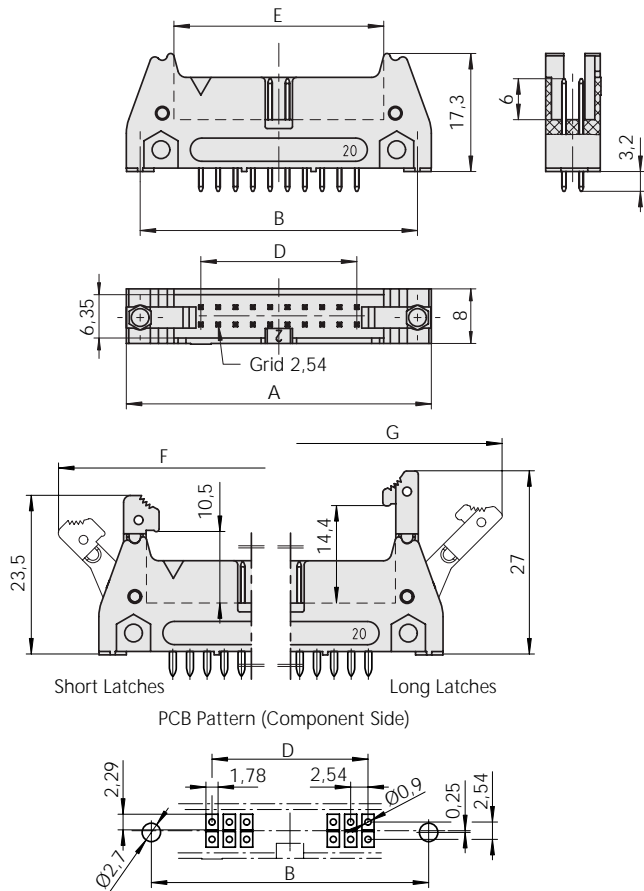
Operating Temperature: -55°C to +125°C
 SMT-Solder Temperature
 (max. 30s) on the solder area: 260°C

Humidity: 75% rel. humidity acc. to
 DIN 40 040 / MIL-C-21 097B

Materials and Surface Finish

Contact finish
 Contact Area: 20 μ" (0,5 μm) Au over 50 μ" (1,25 μm) Ni
 MIL-G-45 204B Class 00
 Termination Area: 120 μ" (3,0 μm) Sn over 50 μ" (1,25 μm) Ni
 Insulation Body: LCP black
 UL flammability rated 94 V-0
 Contact: Cu alloy

For other versions with different surface finishes please see page 67

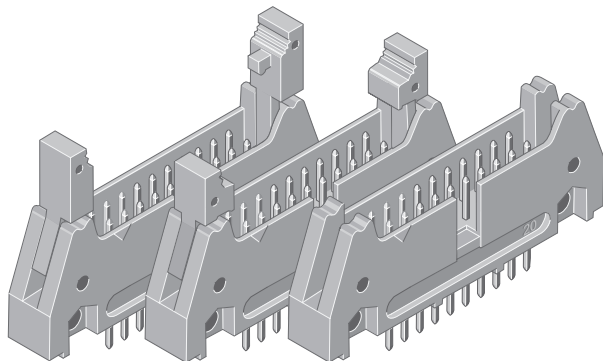


Ordering Information and Dimensions (All Dimensions in mm)


Pos.	Part Number without latches	Part Number with short latches	Part Number with long latches	Dim. A	Dim. B	Dim. D	Dim. E	Dim. F	Dim. G
10	511.060.803.010.XXX	511.061.803.010.XXX	511.062.803.010.XXX	32,0	27,94	10,16	18,05	48,0	52,0
14	511.060.803.014.XXX	511.061.803.014.XXX	511.062.803.014.XXX	37,1	33,02	15,24	23,15	53,1	57,1
16	511.060.803.016.XXX	511.061.803.016.XXX	511.062.803.016.XXX	39,6	35,56	17,78	25,65	55,6	59,6
20	511.060.803.020.XXX	511.061.803.020.XXX	511.062.803.020.XXX	44,7	40,64	22,86	30,75	60,7	64,7
26	511.060.803.026.XXX	511.061.803.026.XXX	511.062.803.026.XXX	52,3	48,26	30,48	38,35	68,3	72,3
34	511.060.803.034.XXX	511.061.803.034.XXX	511.062.803.034.XXX	62,5	58,42	40,64	48,55	78,5	82,5
40	511.060.803.040.XXX	511.061.803.040.XXX	511.062.803.040.XXX	70,1	66,04	48,26	56,15	86,1	90,1
50	511.060.803.050.XXX	511.061.803.050.XXX	511.062.803.050.XXX	82,8	78,74	60,96	68,85	98,8	102,8
60	511.060.803.060.XXX	511.061.803.060.XXX	511.062.803.060.XXX	95,5	91,44	73,66	81,55	111,5	115,5
64	511.060.803.064.XXX	511.061.803.064.XXX	511.062.803.064.XXX	100,6	96,52	78,74	86,65	116,6	120,6

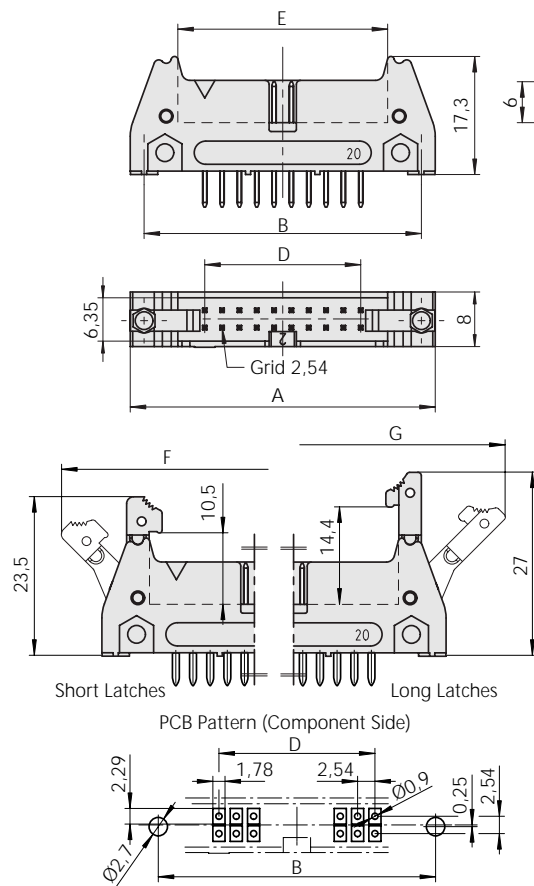
XXX = see page 69

Header Series 511
High Temperature, Through-Hole (Pin in Paste)
DIN EN 60 603-13 (DIN 41651), straight, Solder-Pin Length 4,5 mm



Features

- Grid 2,54 x 2,54 mm
- 2-rows
- Shrouded design
- Center polarization
- Straight contacts, cross-section 0,64 x 0,64 mm
- 10 to 64 positions
- Available without, short or long latches
- High Temperature Resistance
-  us recognized



Technical Data

Electrical Specifications

Current rating: ≤ 5 A
 Test voltage: 1000 Volt eff.

Mechanical Specifications

Operating Temperature: -55°C to +125°C
 SMT-Solder Temperature (max. 30s) on the solder area: 260°C

Humidity: 75% rel. humidity acc. to DIN 40 040 / MIL-C-21 097B

Materials and Surface Finish

Contact finish
 Contact Area: 20 μ" (0,5 μm) Au over 50 μ" (1,25 μm) Ni
 MIL-G-45 204B Class 00
 Termination Area: 120 μ" (3,0 μm) Sn over 50 μ" (1,25 μm) Ni
 Insulation Body: LCP black
 UL flammability rated 94 V-0
 Contact: Cu alloy

For other versions with different surface finishes please see page 67

Ordering Information and Dimensions (All Dimensions in mm)

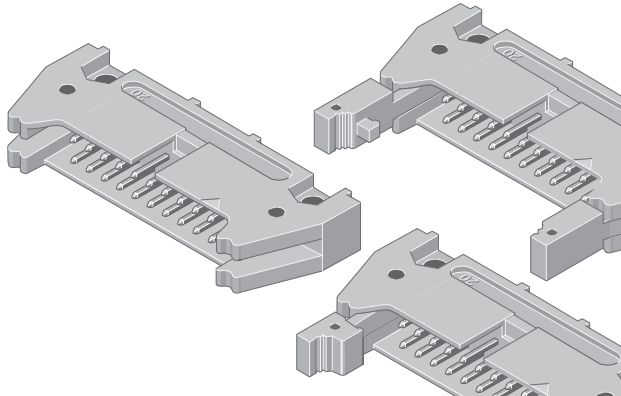
Pos.	Part Number without latches	Part Number with short latches	Part Number with long latches	Dim. A	Dim. B	Dim. D	Dim. E	Dim. F	Dim. G
10	511.052.803.010.XXX	511.053.803.010.XXX	511.054.803.010.XXX	32,0	27,94	10,16	18,05	48,0	52,0
14	511.052.803.014.XXX	511.053.803.014.XXX	511.054.803.014.XXX	37,1	33,02	15,24	23,15	53,1	57,1
16	511.052.803.016.XXX	511.053.803.016.XXX	511.054.803.016.XXX	39,6	35,56	17,78	25,65	55,6	59,6
20	511.052.803.020.XXX	511.053.803.020.XXX	511.054.803.020.XXX	44,7	40,64	22,86	30,75	60,7	64,7
26	511.052.803.026.XXX	511.053.803.026.XXX	511.054.803.026.XXX	52,3	48,26	30,48	38,35	68,3	72,3
34	511.052.803.034.XXX	511.053.803.034.XXX	511.054.803.034.XXX	62,5	58,42	40,64	48,55	78,5	82,5
40	511.052.803.040.XXX	511.053.803.040.XXX	511.054.803.040.XXX	70,1	66,04	48,26	56,15	86,1	90,1
50	511.052.803.050.XXX	511.053.803.050.XXX	511.054.803.050.XXX	82,8	78,74	60,96	68,85	98,8	102,8
60	511.052.803.060.XXX	511.053.803.060.XXX	511.054.803.060.XXX	95,5	91,44	73,66	81,55	111,5	115,5
64	511.052.803.064.XXX	511.053.803.064.XXX	511.054.803.064.XXX	100,6	96,52	78,74	86,65	116,6	120,6

XXX = see page 69


Header Series 511

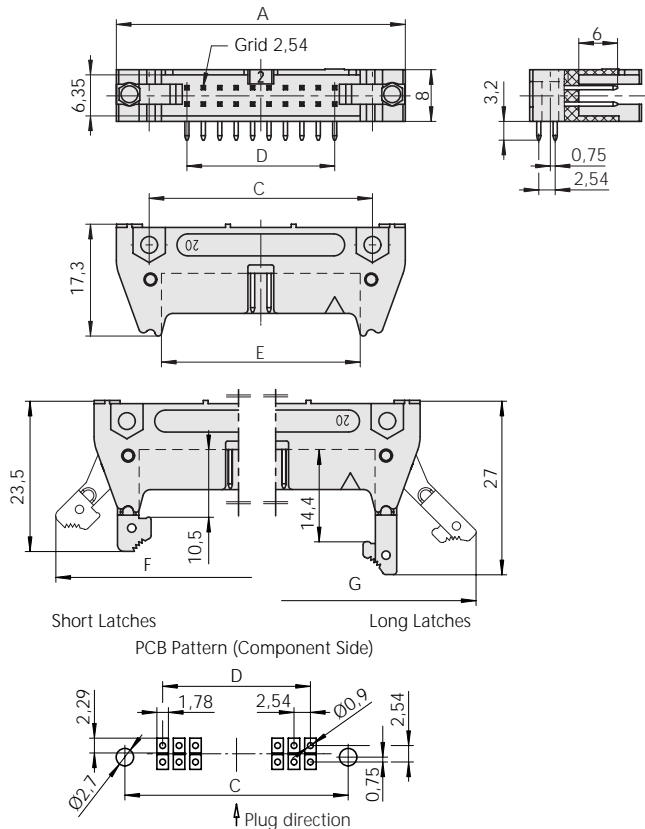
High Temperature, Through-Hole (Pin in Paste)

DIN EN 60 603-13 (DIN 41651), right-angle, Solder-Pin Length 3,2 mm



Features

- Grid 2,54 x 2,54 mm
- 2-rows
- Shrouded design
- Center polarization
- Right-angle contacts, cross-section 0,64 x 0,64 mm
- 10 to 64 positions
- Available without, short or long latches
- High Temperature Resistance
-  us recognized



Technical Data

Electrical Specifications

Current rating: ≤ 5 A
 Test voltage: 1000 Volt eff.

Mechanical Specifications

Operating Temperature: -55°C to +125°C
 SMT-Solder Temperature (max. 30s) on the solder area: 260°C

Humidity: 75% rel. humidity acc. to DIN 40 040 / MIL-C-21 097B

Materials and Surface Finish

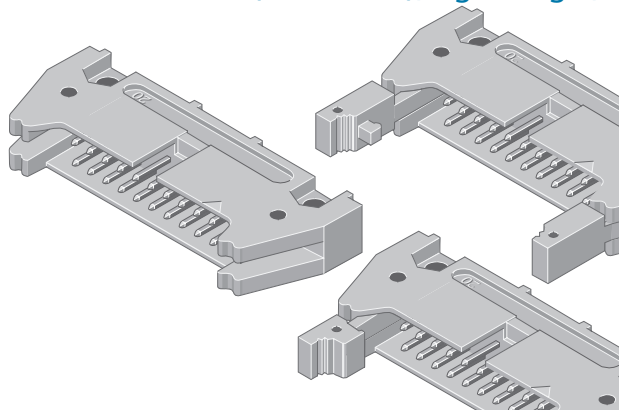
Contact finish: 20 μm (0,5 μm) Au over 50 μm (1,25 μm) Ni
 Contact Area: MIL-G-45 204B Class 00
 Termination Area: 120 μm (3,0 μm) Sn over 50 μm (1,25 μm) Ni
 Insulation Body: LCP black
 UL flammability rated 94 V-0
 Contact: Cu alloy
 For other versions with different surface finishes please see page 67

Ordering Information and Dimensions (All Dimensions in mm)


Pos.	Part Number without latches	Part Number with short latches	Part Number with long latches	Dim. A	Dim. C	Dim. D	Dim. E	Dim. F	Dim. G
10	511.260.803.010.XXX	511.261.803.010.XXX	511.262.803.010.XXX	32,0	21,84	10,16	18,05	48,0	52,0
14	511.260.803.014.XXX	511.261.803.014.XXX	511.262.803.014.XXX	37,1	26,92	15,24	23,15	53,1	57,1
16	511.260.803.016.XXX	511.261.803.016.XXX	511.262.803.016.XXX	39,6	29,46	17,78	25,65	55,6	59,6
20	511.260.803.020.XXX	511.261.803.020.XXX	511.262.803.020.XXX	44,7	34,54	22,86	30,75	60,7	64,7
26	511.260.803.026.XXX	511.261.803.026.XXX	511.262.803.026.XXX	52,3	42,16	30,48	38,35	68,3	72,3
34	511.260.803.034.XXX	511.261.803.034.XXX	511.262.803.034.XXX	62,5	52,32	40,64	48,55	78,5	82,5
40	511.260.803.040.XXX	511.261.803.040.XXX	511.262.803.040.XXX	70,1	59,94	48,26	56,15	86,1	90,1
50	511.260.803.050.XXX	511.261.803.050.XXX	511.262.803.050.XXX	82,8	72,64	60,96	68,85	98,8	102,8
60	511.260.803.060.XXX	511.261.803.060.XXX	511.262.803.060.XXX	95,5	85,34	73,66	81,55	111,5	115,5
64	511.260.803.064.XXX	511.261.803.064.XXX	511.262.803.064.XXX	100,6	90,42	78,74	86,65	116,6	120,6

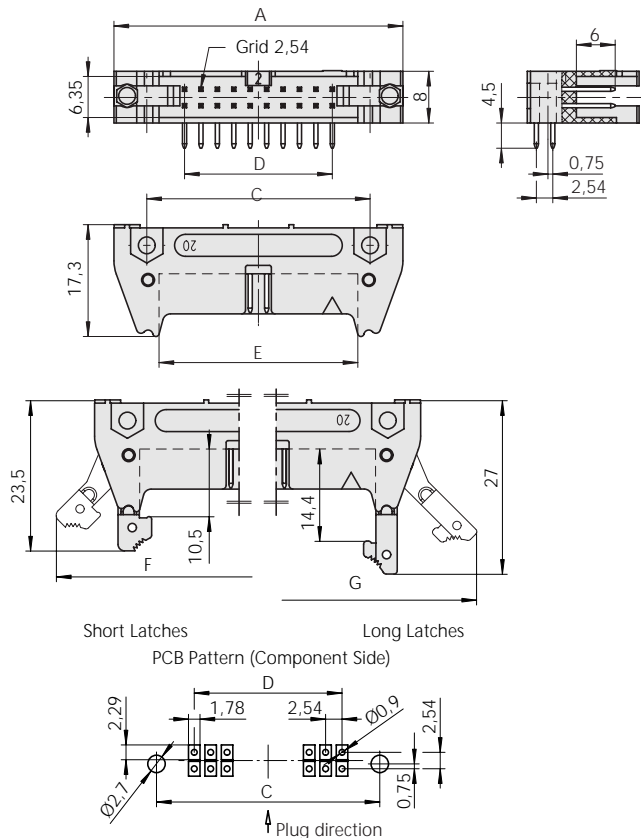
XXX = see page 69

Header Series 511
High Temperature, Through-Hole (Pin in Paste)
DIN EN 60 603-13 (DIN 41651), right-angle, Solder-Pin Length 4,5 mm



Features

- Grid 2,54 x 2,54 mm
- 2-rows
- Shrouded design
- Center polarization
- Right-angle contacts, cross-section 0,64 x 0,64 mm
- 10 to 64 positions
- Available without, short or long latches
- High Temperature Resistance
-  **US** recognized



Technical Data

Electrical Specifications

Current rating: ≤ 5 A
 Test voltage: 1000 Volt eff.

Mechanical Specifications

Operating Temperature: -55°C to +125°C
 SMT-Solder Temperature (max. 30s) on the solder area: 260°C

Humidity: 75% rel. humidity acc. to DIN 40 040 / MIL-C-21 097B

Materials and Surface Finish

Contact finish
 Contact Area: 20 μ" (0,5 μm) Au over 50 μ" (1,25 μm) Ni
 MIL-G-45 204B Class 00
 Termination Area: 120 μ" (3,0 μm) Sn over 50 μ" (1,25 μm) Ni
 Insulation Body: LCP black
 UL flammability rated 94 V-O
 Contact: Cu alloy

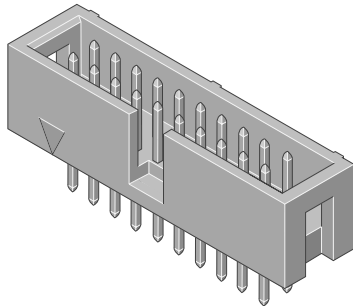
For other versions with different surface finishes please see page 67

Ordering Information and Dimensions (All Dimensions in mm)

Pos.	Part Number without latches	Part Number with short latches	Part Number with long latches	Dim. A	Dim. C	Dim. D	Dim. E	Dim. F	Dim. G
10	511.252.803.010.XXX	511.253.803.010.XXX	511.254.803.010.XXX	32,0	21,84	10,16	18,05	48,0	52,0
14	511.252.803.014.XXX	511.253.803.014.XXX	511.254.803.014.XXX	37,1	26,92	15,24	23,15	53,1	57,1
16	511.252.803.016.XXX	511.253.803.016.XXX	511.254.803.016.XXX	39,6	29,46	17,78	25,65	55,6	59,6
20	511.252.803.020.XXX	511.253.803.020.XXX	511.254.803.020.XXX	44,7	34,54	22,86	30,75	60,7	64,7
26	511.252.803.026.XXX	511.253.803.026.XXX	511.254.803.026.XXX	52,3	42,16	30,48	38,35	68,3	72,3
34	511.252.803.034.XXX	511.253.803.034.XXX	511.254.803.034.XXX	62,5	52,32	40,64	48,55	78,5	82,5
40	511.252.803.040.XXX	511.253.803.040.XXX	511.254.803.040.XXX	70,1	59,94	48,26	56,15	86,1	90,1
50	511.252.803.050.XXX	511.253.803.050.XXX	511.254.803.050.XXX	82,8	72,64	60,96	68,85	98,8	102,8
60	511.252.803.060.XXX	511.253.803.060.XXX	511.254.803.060.XXX	95,5	85,34	73,66	81,55	111,5	115,5
64	511.252.803.064.XXX	511.253.803.064.XXX	511.254.803.064.XXX	100,6	90,42	78,74	86,65	116,6	120,6

XXX = see page 69

Header Series 511
High Temperature, Through-Hole (Pin in Paste)
Low Profile, straight



Features

- Grid 2,54 x 2,54 mm
- 2-rows
- Shrouded low profile design
- Center polarization
- Straight contacts, cross-section 0,64 x 0,64 mm
- Solder pins available in two lengths 3,2 mm and 4,5 mm
- 10 to 64 positions
- High Temperature Resistance
- recognized

Technical Data

Electrical Specifications

Current rating: ≤ 5 A
 Test voltage: 1000 Volt eff.

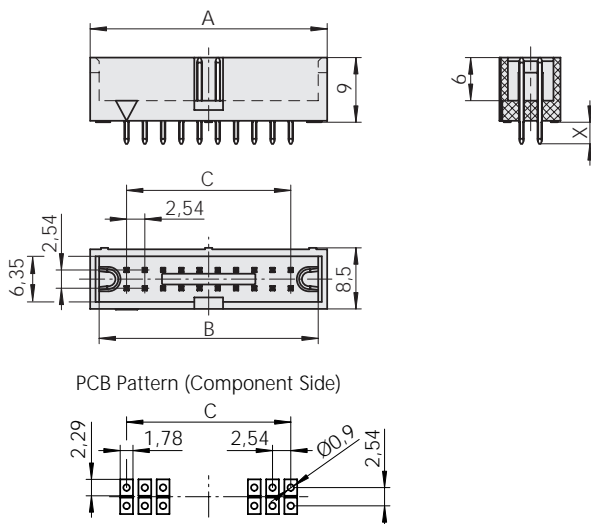
Mechanical Specifications

Operating Temperature: -55°C to +125°C
 SMT-Solder Temperature (max. 30s) on the solder area: 260°C

Humidity: 75% rel. humidity acc. to DIN 40 040 / MIL-C-21 097B

Materials and Surface Finish

Contact finish
 Contact Area: 20 μ" (0,5 μm) Au over 50 μ" (1,25 μm) Ni
 MIL-G-45 204B Class 00
 Termination Area: 120 μ" (3,0 μm) Sn over 50 μ" (1,25 μm) Ni
 Insulation Body: LCP black
 UL flammability rated 94 V-O
 Contact: Cu alloy



PCB Pattern (Component Side)


Ordering Information and Dimensions (All Dimensions in mm)

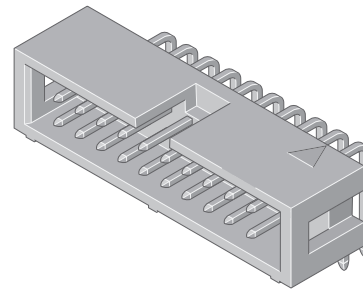
Pos.	Part Number Solder Pin (X) = 3,2 mm	Part Number Solder Pin (X) = 4,5 mm	Dim. A	Dim. B	Dim. C	Additional ordering information
10	511.066.803.010.XXX	511.073.803.010.XXX	20,3	17,8	10,16	For other versions with different surface finishes please see page 67
14	511.066.803.014.XXX	511.073.803.014.XXX	25,4	22,9	15,24	
16	511.066.803.016.XXX	511.073.803.016.XXX	27,9	25,4	17,78	
20	511.066.803.020.XXX	511.073.803.020.XXX	33,0	30,5	22,86	
26	511.066.803.026.XXX	511.073.803.026.XXX	40,6	38,1	30,48	
34	511.066.803.034.XXX	511.073.803.034.XXX	50,8	48,3	40,64	
40	511.066.803.040.XXX	511.073.803.040.XXX	58,4	55,8	48,26	
50	511.066.803.050.XXX	511.073.803.050.XXX	71,1	68,6	60,96	
60	511.066.803.060.XXX	511.073.803.060.XXX	83,8	81,3	73,66	
64	511.066.803.064.XXX	511.073.803.064.XXX	88,9	86,4	78,74	

XXX = see page 69

Header Series 511
High Temperature, Through-Hole (Pin in Paste)
Low Profile, right-angle

Features

- Grid 2,54 x 2,54 mm
- 2-rows
- Shrouded low profile design
- Center polarization
- Right-angle contacts, cross-section 0,64 x 0,64 mm
- Solder pins available in 2 lengths 3,2 mm and 4,5 mm
- 10 to 64 positions
- High Temperature Resistance
-  US recognized



Technical Data

Electrical Specifications

Current rating: ≤ 5 A
 Test voltage: 1000 Volt eff.

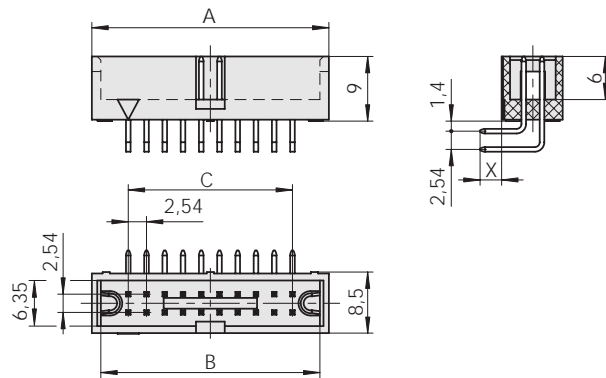
Mechanical Specifications

Operating Temperature: -55°C to +125°C
 SMT-Solder Temperature (max. 30s) on the solder area: 260°C

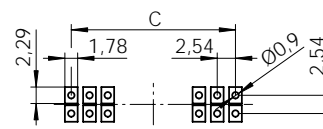
Humidity: 75% rel. humidity acc. to DIN 40 040 / MIL-C-21 097B

Materials and Surface Finish

Contact finish
 Contact Area: 20 μ" (0,5 μm) Au over 50 μ" (1,25 μm) Ni
 MIL-G-45 204B Class 00
 Termination Area: 120 μ" (3,0 μm) Sn over 50 μ" (1,25 μm) Ni
 Insulation Body: LCP black
 UL flammability rated 94 V-0
 Contact: Cu alloy



PCB Pattern (Component Side)



Ordering Information and Dimensions (All Dimensions in mm)

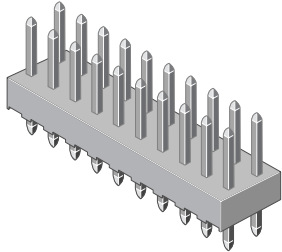
Pos.	Part Number Solder Pin (X) = 3,2 mm	Part Number Solder Pin (X) = 4,5 mm	Dim. A	Dim. B	Dim. C	Additional ordering information
10	511.266.803.010.XXX	511.273.803.010.XXX	20,3	17,8	10,16	For other versions with different surface finishes please see page 67
14	511.266.803.014.XXX	511.273.803.014.XXX	25,4	22,9	15,24	
16	511.266.803.016.XXX	511.273.803.016.XXX	27,9	25,4	17,48	
20	511.266.803.020.XXX	511.273.803.020.XXX	33,0	30,5	22,86	
26	511.266.803.026.XXX	511.273.803.026.XXX	40,6	38,1	30,48	
34	511.266.803.034.XXX	511.273.803.034.XXX	50,8	48,3	40,64	
40	511.266.803.040.XXX	511.273.803.040.XXX	58,4	55,8	48,26	
50	511.266.803.050.XXX	511.273.803.050.XXX	71,1	68,6	60,96	
60	511.266.803.060.XXX	511.273.803.060.XXX	83,8	81,3	73,66	
64	511.266.803.064.XXX	511.273.803.064.XXX	88,9	86,4	78,74	

XXX = see page 69

Header Series 511

High Temperature, Through-Hole (Pin in Paste)

unprotected, straight



Merkmale

- Grid 2,54 x 2,54 mm
- 2-rows
- Straight contacts, cross-section 0,64 x 0,64 mm
- Insertion depth 6,0 mm
- High Temperature Resistance
-  recognized

Technical Data

Electrical Specifications

Current rating: ≤ 5 A
 Test voltage: 1500 Volt eff.

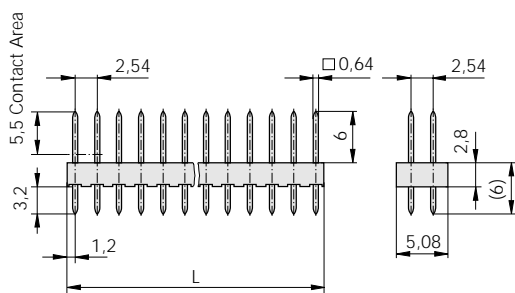
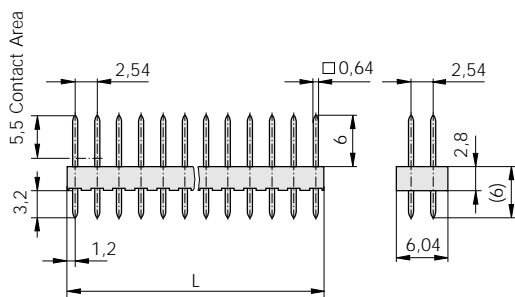
Mechanical Specifications

Operating Temperature: -55°C to +125°C
 SMT-Solder Temperature
 (max. 30s) on the solder area: 260°C

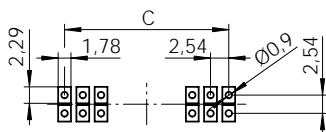
Humidity: 75% rel. humidity acc. to
 DIN 40 040 / MIL-C-21 097B

Materials and Surface Finish

Contact finish
 Contact Area: 20 μ" (0,5 μm) Au over 50 μ"
 (1,25 μm) Ni
 MIL-G-45 204B Class 00
 Termination Area: 120 μ" (3,0 μm) Sn over 50 μ"
 (1,25 μm) Ni
 Insulation Body: PET black
 UL flammability rated 94 V-0
 Contact: Cu alloy



PCB Pattern (Component Side)



Ordering Information and Dimensions (All Dimensions in mm)

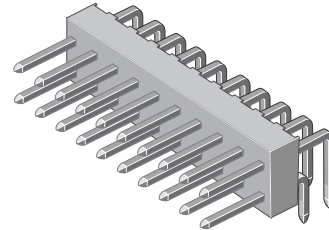
Pos.	Part Number Ins. body 6,04 x 2,8 mm	Part Number Ins. body 5,08 x 2,8 mm	Dim. C	Dim. L	Additional ordering information
10	511.030.803.010.XXX	511.032.803.010.XXX	10,16	12,56	For other versions with different surface finishes please see page 67
14	511.030.803.014.XXX	511.032.803.014.XXX	15,24	17,64	
16	511.030.803.016.XXX	511.032.803.016.XXX	17,48	20,18	
20	511.030.803.020.XXX	511.032.803.020.XXX	22,86	25,26	
26	511.030.803.026.XXX	511.032.803.026.XXX	30,48	32,88	
34	511.030.803.034.XXX	511.032.803.034.XXX	40,64	43,04	
40	511.030.803.040.XXX	511.032.803.040.XXX	48,26	50,66	
50	511.030.803.050.XXX	511.032.803.050.XXX	60,96	63,36	
60	511.030.803.060.XXX	511.032.803.060.XXX	73,66	76,06	
64	511.030.803.064.XXX	not available	78,74	81,14	

XXX = see page 69

Header Series 511
High Temperature, Through-Hole (Pin in Paste)
unprotected, right-angle

Features

- Grid 2,54 x 2,54 mm
- 2-rows
- Right-angle contacts, cross-section 0,64 x 0,64 mm
- Insertion depth 6,5 mm
- High Temperature Resistance
-  recognized



Technical Data

Electrical Specifications

Current rating: ≤ 5 A
 Test voltage: 1500 Volt eff.

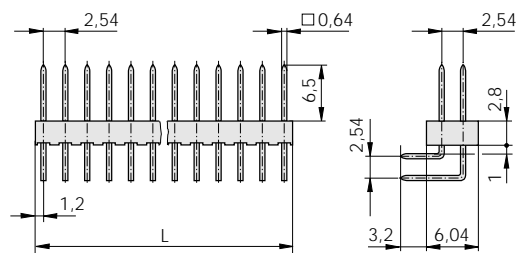
Mechanical Specifications

Operating Temperature: -55°C to +125°C
 SMT-Solder Temperature
 (max. 30s) on the solder area: 260°C

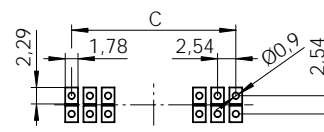
Humidity: 75% rel. humidity acc. to
 DIN 40 040 / MIL-C-21 097B

Materials and Surface Finish

Contact finish
 Contact Area: 20 μ" (0,5 μm) Au over 50 μ" (1,25 μm) Ni
 MIL-G-45 204B Class 00
 Termination Area: 120 μ" (3,0 μm) Sn over 50 μ" (1,25 μm) Ni
 Insulation Body: PET black
 UL flammability rated 94 V-O
 Contact: Cu alloy



PCB Pattern (Component Side)



Ordering Information and Dimensions (All Dimensions in mm)

Pos.	Part Number	Dim. C	Dim. L	Additional ordering information
10	511.270.803.010.XXX	10,16	12,56	For other versions with different surface finishes please see page 67
14	511.270.803.014.XXX	15,24	17,64	
16	511.270.803.016.XXX	17,48	20,18	
20	511.270.803.020.XXX	22,86	25,26	
26	511.270.803.026.XXX	30,48	32,88	
34	511.270.803.034.XXX	40,64	43,04	
40	511.270.803.040.XXX	48,26	50,66	
50	511.270.803.050.XXX	60,96	63,36	
60	511.270.803.060.XXX	73,66	76,06	
64	511.270.803.064.XXX	78,74	81,14	

XXX = see page 69



For Your Notes

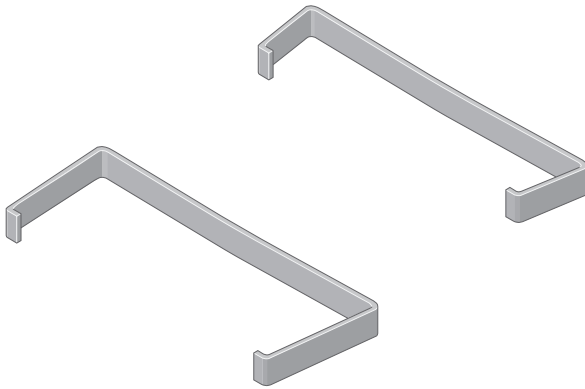


Metal Locking Clips 42



Accessories

Metal Locking Clips for Headers - SERIES 511 Low Profile Design



Features

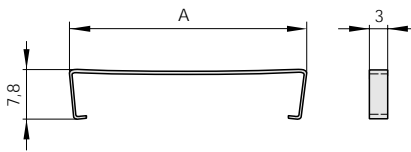
- Simple installation
- Cost effective
- Secure locking
- Simple removal
- For socket connectors Series 517 with or without strain relief
- recognized

General Information

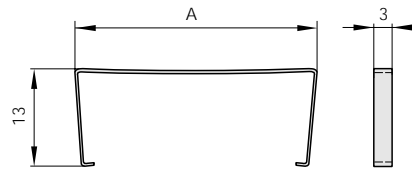
The metal locking clips are made of high-grade spring steel. Reliable locking, simple attachment and removal are the outstanding features of this product.

The locking clips are designed for socket connectors Series 517 with or without strain relief

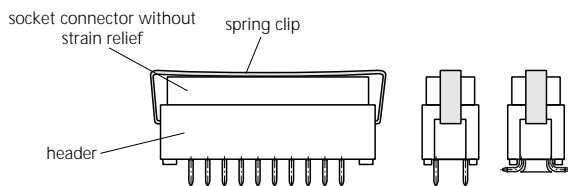
Series 511.065.7xx.700.000



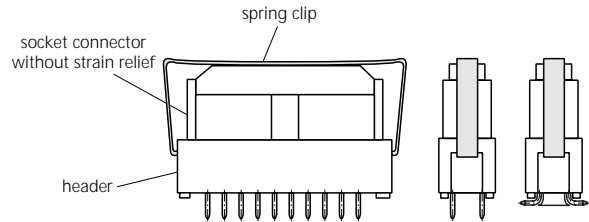
Series 511.066.7xx.700.000



Assembly Drawing



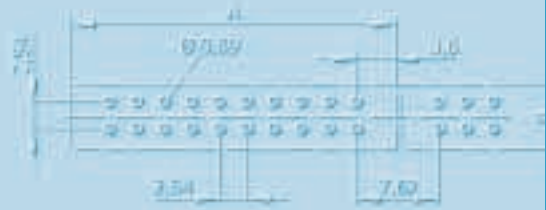
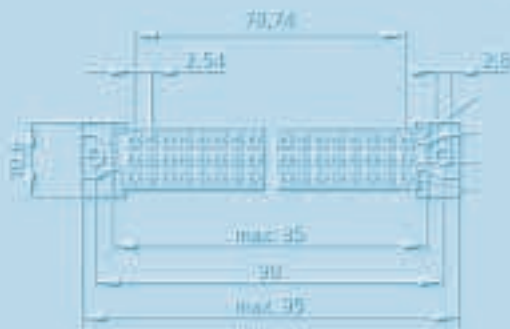
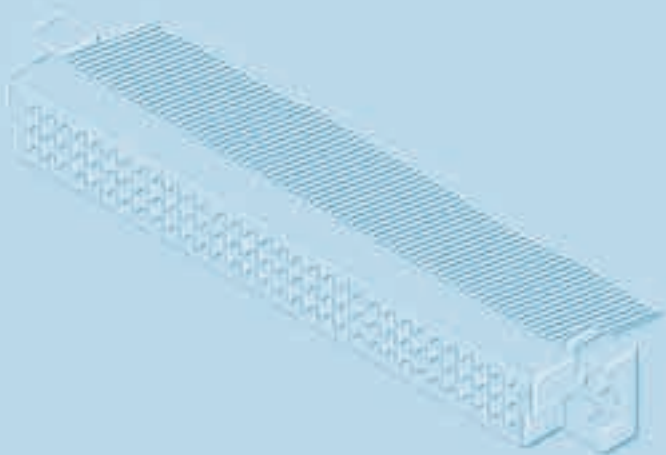
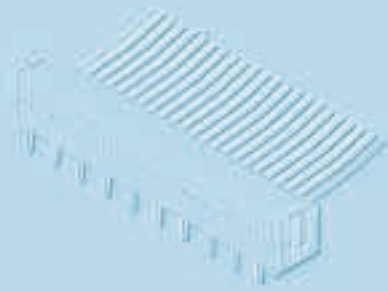
Assembly Drawing



Ordering Information and Dimensions (All Dimensions in mm)

Pos.	Part Number Without Strain Relief	Part Number With Strain Relief	Dim. A	Bemerkung
10	511.065.710.700.000	511.066.710.700.000	21,1	Socket connectors Series 517 see page 6 to 7
14	511.065.714.700.000	511.066.714.700.000	26,2	
16	511.065.716.700.000	511.066.716.700.000	28,7	
20	511.065.720.700.000	511.066.720.700.000	33,8	
26	511.065.726.700.000	511.066.726.700.000	41,4	
34	511.065.734.700.000	511.066.734.700.000	51,6	
40	511.065.740.700.000	511.066.740.700.000	59,2	
50	511.065.750.700.000	511.066.750.700.000	71,9	
60	511.065.760.700.000	511.066.760.700.000	84,9	
64	511.065.764.700.000	511.066.764.700.000	89,7	

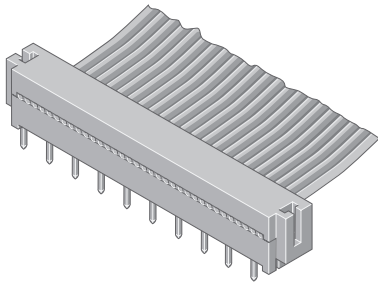
Transitons 2-rows	44
RIBBON Connector, 64 positions, acc. to DIN 41612/C 64F Series 538.....	45



Transitions Ribbon Connector



Transitions - SERIES 533
2-rows



Features

- 2-row transition for standard PCBs from 1,5 mm to 2,0 mm
- Low profile
- Grid 2,54 x 2,54
- Reliable connection at maximum load
- 10 to 64 positions
- US recognized

Technical Data

Electrical Specifications

Current Rating: ≤ 1 A max. for conductor
0,08 mm² (AWG 28)
≤ 1,5 A max. for conductor
0,14 mm² (AWG 26)

Test voltage: 1000 Volt eff.

Mechanical Specifications

Operating Temperature: -20°C to +105°C

Humidity: 75% rel. humidity acc. to
DIN 40 040 / MIL-C-21 097B

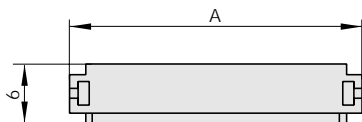
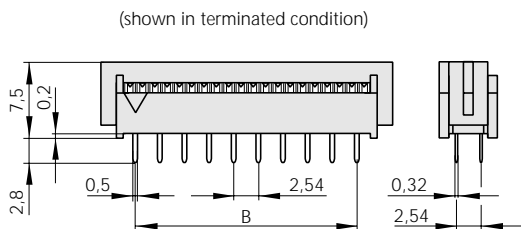
Materials and Surface Finish

Contact finish
Contact Area: 120 μ" (30 μm) Sn over 50 μ"
(1,25 μm) Ni
MIL-G-45 204B Class 00

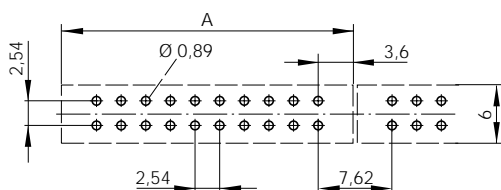
Termination Area: 120 μ" (3,0 μm) Sn over 50 μ"
(1,25 μm) Ni

Insulation Body: PBT glass-filled
grey
UL flammability rated 94 V-O

Contact: Cu alloy



Solder Pattern




Ordering Information and Dimensions (All Dimensions in mm)

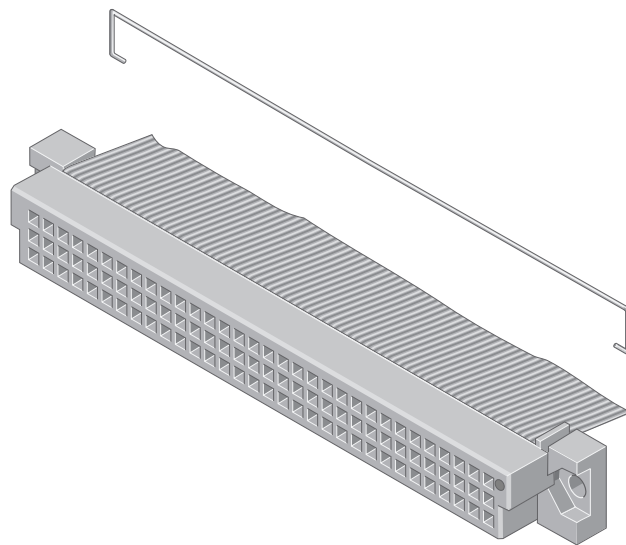
Pos.	Part Number	Dim. A	Dim. B	Additional ordering information
10	533.065.024.010.XXX	17,3	10,16	
14	533.065.024.014.XXX	22,4	15,24	
16	533.065.024.016.XXX	24,9	17,78	
20	533.065.024.020.XXX	30,0	22,86	
26	533.065.024.026.XXX	37,6	30,48	
34	533.065.024.034.XXX	47,8	40,64	
40	533.065.024.040.XXX	55,4	48,26	
50	533.065.024.050.XXX	68,1	60,96	
60	533.065.024.060.XXX	80,8	73,66	
64	533.065.024.064.XXX	85,8	78,74	

XXX = see page 69

Ribbon Connector - SERIES 538
64-Positions, meets DIN 41612/C 64F

Features

- According to DIN 41612/C 64F
- Type C Female
- 64-positions in A & C
- Strain relief
- Single-U double-action wiping contact
- Highest contact security
-  recognized



Technical Data

Electrical Specifications

Current Rating: ≤ 1 A max. for conductor
 0,08 mm² (AWG 28)
 ≤ 1,5 A max. for conductor
 0,14 mm² (AWG 26)

Test voltage: 1000 Volt eff.

Mechanical Specifications

Operating Temperature: -20°C to +105°C

Humidity: 75% rel. humidity acc. to
 DIN 40 040 / MIL-C-21 097B

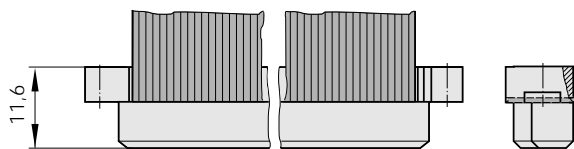
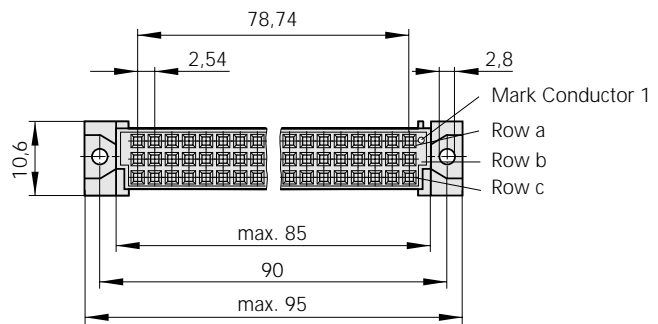
Materials and Surface Finish

Contact finish
 Contact Area: 20 μ" (0,5 μm) Au over 50 μ"
 (1,25 μm) Ni
 MIL-G-45 204B Class 00

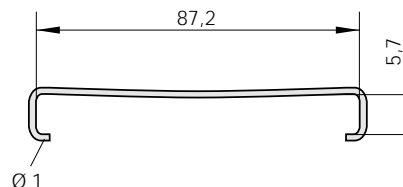
Termination Area: 120 μ" (3,0 μm) Sn over 50 μ"
 (1,25 μm) Ni

Insulation Body: PBT glass-filled
 grey
 UL flammability rated 94 V-O

Contact: Cu alloy,
 hardened



Strain Relief Clip



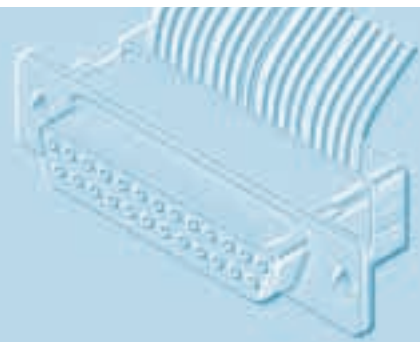
Ordering Information and Dimensions (All Dimensions in mm)

Pos.	Part Number Connector, Single-U*	Part Number Strain Relief	
64	538.075.003.064.XXX	538.075.764.700.000	* Single-U double-action wiping contact

XXX = see page 69



For Your Notes



D-SUB Connector Male Series 620

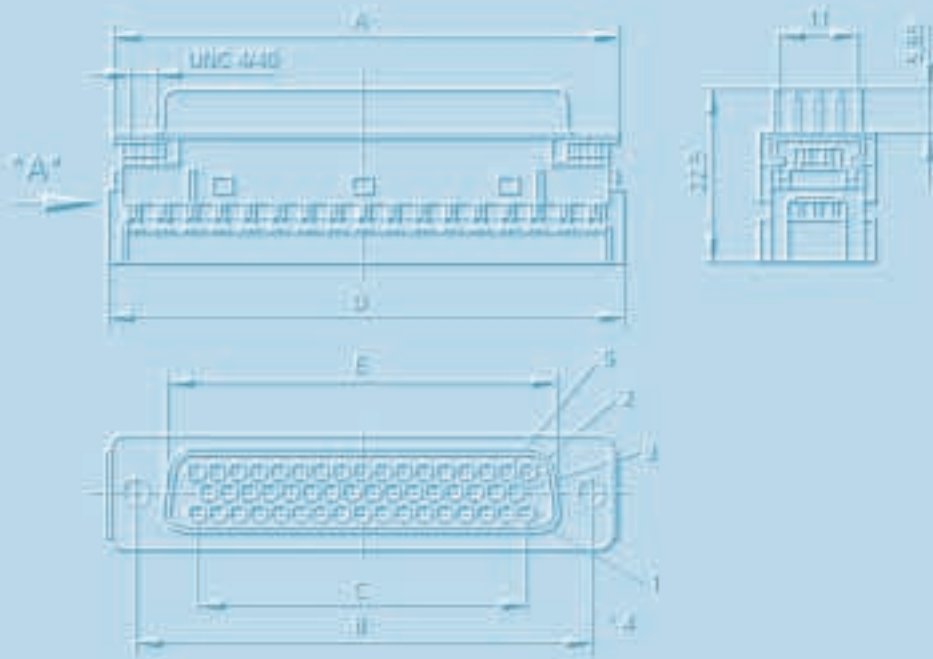
9 positions 48
 15, 25, 37 positions 49
 50 positions, 50

D-SUB Connector Female Series 621

9 positions 51
 15, 25, 37 positions 52
 50 positions 53

Strain Relief for D-SUB Connector Series 620/621

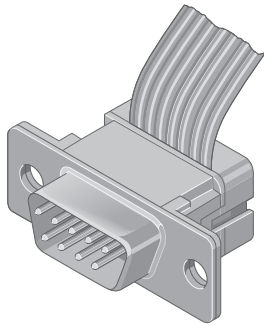
Spring Steel Strain Relief 54
 Plastic Strain Relief 54



D-SUB Connectors

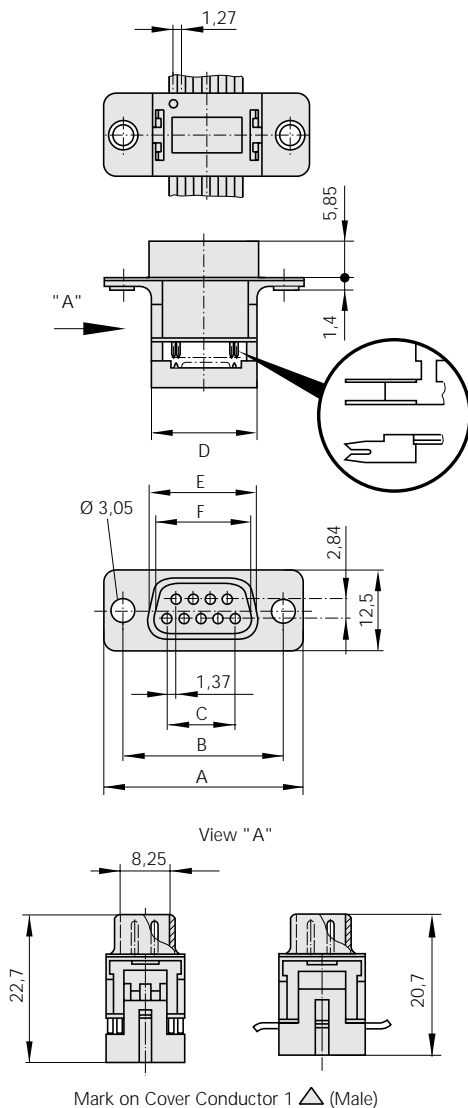


D-SUB Connector SERIES 620
Male 9 positions



Features

- Heavy duty metal frame, tinned
- 9 positions
- Cover pre-assembled
- Compatible with other leading manufacturers
- Double-U-IDC contact
- US recognized



Technical Data

Electrical Specifications

Current Rating: ≤ 1 A max. for conductor
0,08 mm² (AWG 28)
≤ 1,5 A max. for conductor
0,14 mm² (AWG 26)

Test voltage: 1000 Volt eff.

Mechanical Specifications

Operating Temperature: -20°C to +105°C

Humidity: 75% rel. humidity acc. to
DIN 40 040 / MIL-C-21 097B

Materials and Surface Finish

Contact finish
Contact Area: 30 μ" (0,75 μm) Au over 50 μ" (1,25 μm) Ni
MIL-G-45 204B Class 00

Termination Area: 120 μ" (3,0 μm) Sn over 50 μ" (1,25 μm) Ni

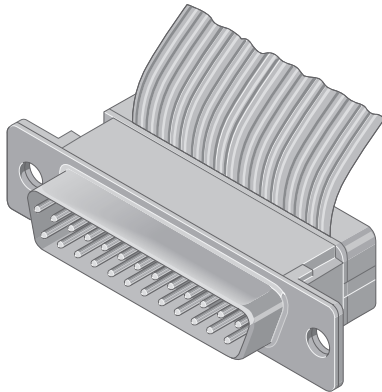
Insulation Body: PBT glass-filled
grey
UL flammability rated 94 V-O

Contact: Cu alloy


Ordering Information and Dimensions

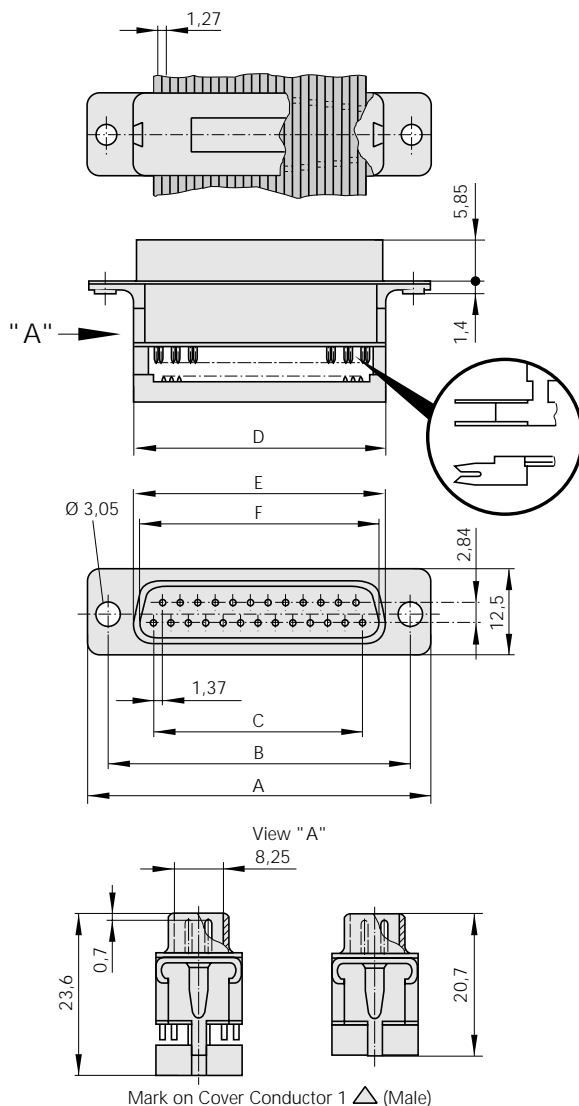
Pos.	Part Number metal frame tin	Dim. A	Dim. B	Dim. C	Dim. D	Dim. E	Dim. F	Additional ordering information
09	620.091.035.009.000	30,8	25,00	10,96	16,4	16,3	16,9	For other versions with different surface finishes please see page 68

D-SUB Connectors, SERIES 620
Male 15 to 37 positions



Features

- Heavy duty metal frame, tinned
- 15, 25, 37 positions
- Cover pre-assembled
- Compatible with other leading manufacturers
- Double-U-IDC contact
-  US recognized



Technical Data

Electrical Specifications

Current Rating: ≤ 1 A max. for conductor
0,08 mm² (AWG 28)
≤ 1,5 A max. for conductor
0,14 mm² (AWG 26)

Test voltage: 1000 Volt eff.

Mechanical Specifications

Operating Temperature: -20°C to +105°C

Humidity: 75% rel. humidity acc. to
DIN 40 040 / MIL-C-21 097B

Materials and Surface Finish

Contact finish
Contact Area: 30 μ" (0,75 μm) Au over 50 μ"
(1,25 μm) Ni
MIL-G-45 204B Class 00

Termination Area: 120 μ" (3,0 μm) Sn over 50 μ"
(1,25 μm) Ni

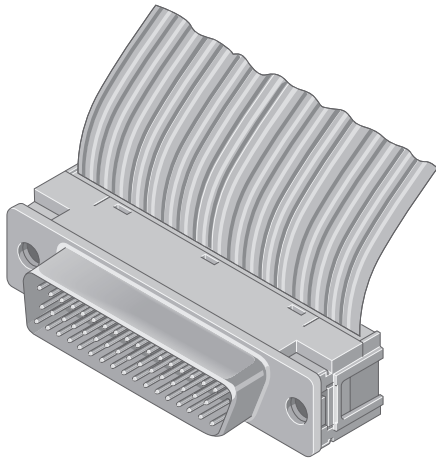
Insulation Body: PBT glass-filled
grey
UL flammability rated 94 V-0

Contact: Cu alloy

Ordering Information and Dimensions (All Dimensions in mm)

Pos.	Part Number metal frame tin	Dim. A	Dim. B	Dim. C	Dim. D	Dim. E	Dim. F	Additional ordering information
15	620.091.035.015.000	39,1	33,32	19,33	24,7	24,5	25,1	For other versions with different surface finishes please see page 68
25	620.091.035.025.000	53,1	47,04	33,13	38,5	38,3	38,9	
37	620.091.035.037.000	69,5	63,50	49,70	54,9	54,8	55,4	

D-SUB Connector, SERIES 620
Male 50 positions



Features

- Heavy duty metal frame, tinned
- 50 positions
- Cover pre-assembled
- Compatible with other leading manufacturers
- Single-U-IDC contact
- UNC 4/40 insert
- recognized

Technical Data

Electrical Specifications

Current Rating: ≤ 1 A max. for conductor
0,08 mm² (AWG 28)
≤ 1,5 A max. for conductor
0,14 mm² (AWG 26)

Test voltage: 1000 Volt eff.

Mechanical Specifications

Operating Temperature: -20°C to +105°C

Humidity: 75% rel. humidity acc. to
DIN 40 040 / MIL-C-21 097B

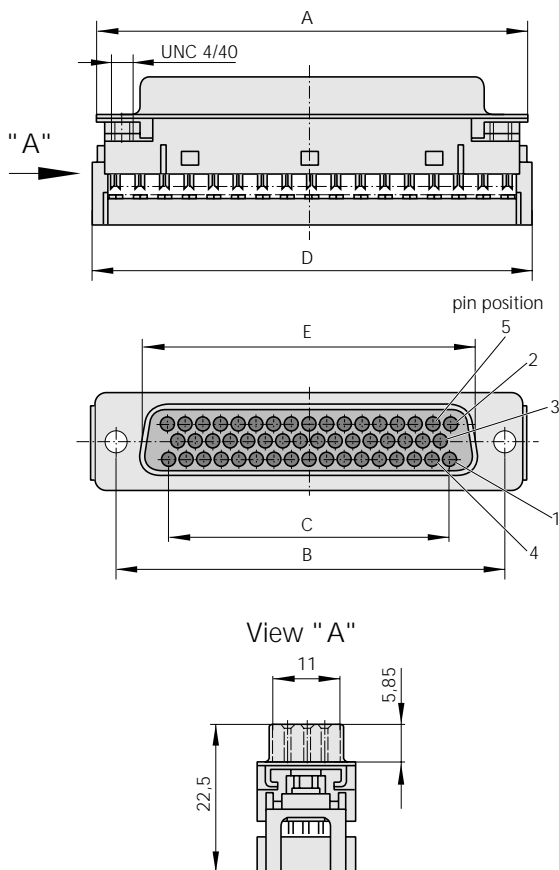
Materials and Surface Finish

Contact finish
Contact Area: 30 μ" (0,75 μm) Au over 50 μ"
(1,25 μm) Ni
MIL-G-45 204B Class 00

Termination Area: 120 μ" (3,0 μm) Sn over 50 μ"
(1,25 μm) Ni

Insulation Body: PBT glass-filled
grey
UL flammability rated 94 V-O

Contact: Cu alloy




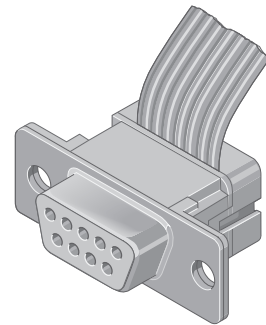
Ordering Information and Dimensions (All Dimensions in mm)

Pos.	Part Number metal frame tin	Dim. A	Dim. B	Dim. C	Dim. D	Dim. E	Additional ordering information
50	620.061.035.050.000	66,9	61,11	44,2	68,7	52,9	For other versions with different surface finishes please see page 68

D-SUB Connector, SERIES 621 Female 9 positions

Features

- Heavy duty metal frame, tinned
- 9 positions
- Cover pre-assembled
- Compatible with other leading manufacturers
- Double-U-IDC contact
-  US recognized



Technical Data

Electrical Specifications

Current Rating: ≤ 1 A max. for conductor
0,08 mm² (AWG 28)
≤ 1,5 A max. for conductor
0,14 mm² (AWG 26)

Test voltage: 1000 Volt eff.

Mechanical Specifications

Operating Temperature: -20°C to +105°C

Humidity: 75% rel. humidity acc. to
DIN 40 040 / MIL-C-21 097B

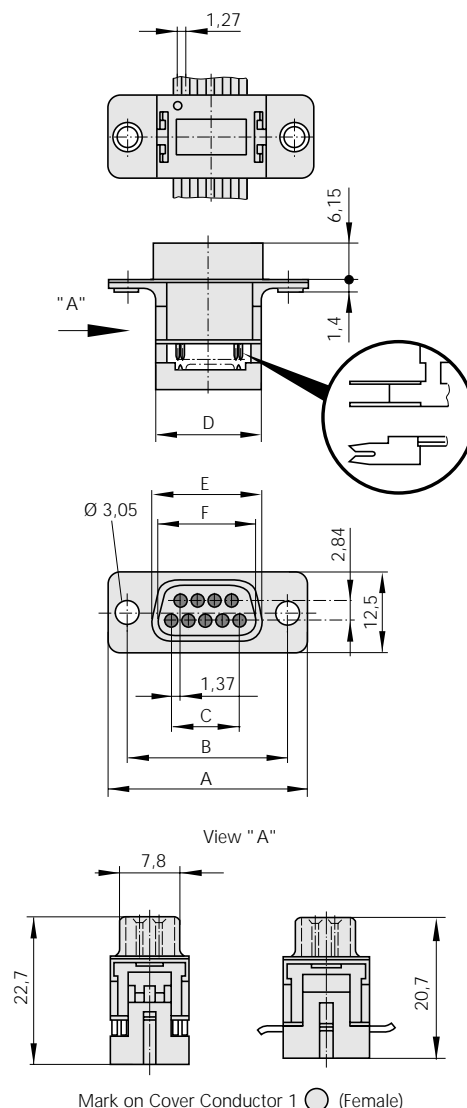
Materials and Surface Finish

Contact finish
Contact Area: 30 μ" (0,75 μm) Au over 50 μ" (1,25 μm) Ni
MIL-G-45 204B Class 00

Termination Area: 120 μ" (3,0 μm) Sn over 50 μ" (1,25 μm) Ni

Insulation Body: PBT glass-filled grey
UL flammability rated 94 V-O

Contact: Cu alloy



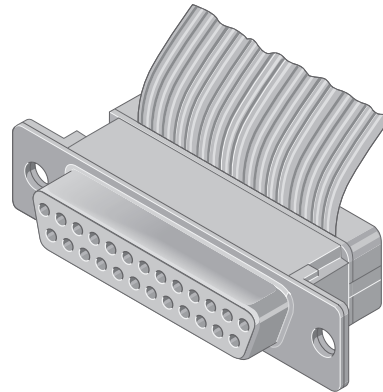
Ordering Information and Dimensions

Pos.	Part Number metal frame tin	Dim. A	Dim. B	Dim. C	Dim. D	Dim. E	Dim. F	Additional ordering information
09	621.091.035.009.000	30,8	25,00	10,96	16,4	16,3	16,9	For other versions with different surface finishes please see page 68

D-SUB Connectors, SERIES 621 Female 15 to 37 positions

Features

- Heavy duty metal frame, tinned
- 15, 25, 37 positions
- Cover pre-assembled
- Compatible with other leading manufacturers
- Double-U-IDC contact
- recognized



Technical Data

Electrical Specifications

Current Rating: ≤ 1 A max. for conductor
0,08 mm² (AWG 28)
≤ 1,5 A max. for conductor
0,14 mm² (AWG 26)

Test voltage: 1000 Volt eff.

Mechanical Specifications

Operating Temperature: -20°C to +105°C

Humidity: 75% rel. humidity acc. to
DIN 40 040 / MIL-C-21 097B

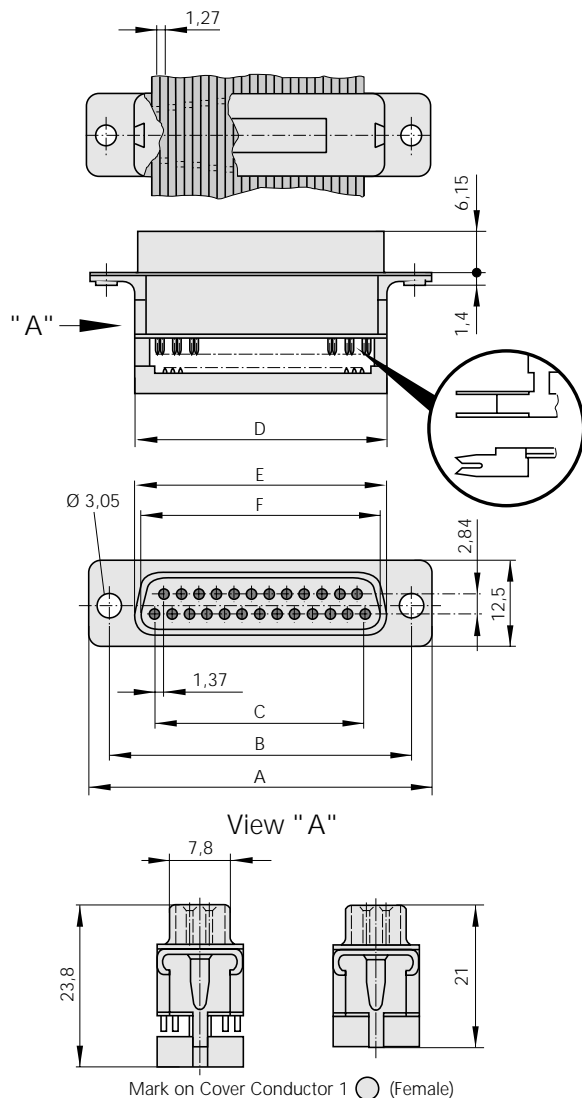
Materials and Surface Finish

Contact finish
Contact Area: 30 μm (0,75 μm) Au over 50 μm
(1,25 μm) Ni
MIL-G-45 204B Class 00

Termination Area: 120 μm (3,0 μm) Sn over 50 μm
(1,25 μm) Ni

Insulation Body: PBT glass-filled
grey
UL flammability rated 94 V-0

Contact: Cu alloy




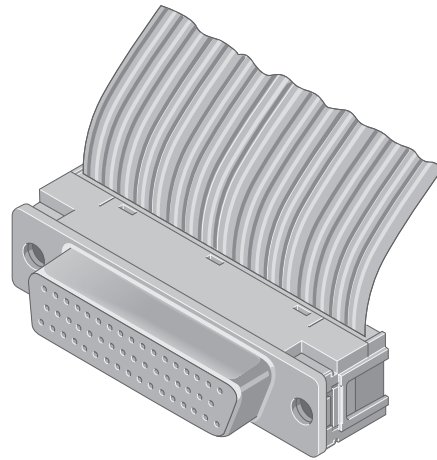
Ordering Information and Dimensions (All Dimensions in mm)

Pos.	Part Number metal frame tin	Dim. A	Dim. B	Dim. C	Dim. D	Dim. E	Dim. F	Additional ordering information
15	621.091.035.015.000	39,1	33,32	19,33	24,7	24,5	25,1	For other versions with different surface finishes please see page 68
25	621.091.035.025.000	53,1	47,04	33,13	38,5	38,3	38,9	
37	621.091.035.037.000	69,5	63,50	49,70	54,9	54,8	55,4	

D-SUB Connector 50-positions, SERIES 621 Female

Features

- Heavy duty metal frame, tinned
- 50 positions
- Cover pre-assembled
- Compatible with other leading manufacturers
- Single-U-IDC contact
- UNC 4/40 insert
-  US recognized



Technical Data

Electrical Specifications

Current Rating: ≤ 1 A max. for conductor
0,08 mm² (AWG 28)
 $\leq 1,5$ A max. for conductor
0,14 mm² (AWG 26)

Test voltage: 1000 Volt eff.

Mechanical Specifications

Operating Temperature: -20°C to +105°C

Humidity: 75% rel. humidity acc. to
DIN 40 040 / MIL-C-21 097B

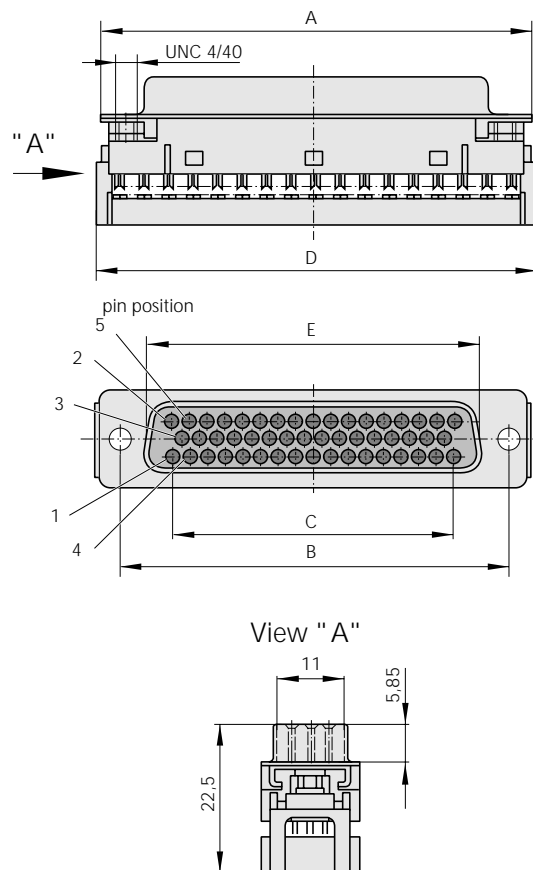
Materials and Surface Finish

Contact finish
Contact Area: 30 μm (0,75 μm) Au over 50 μm (1,25 μm) Ni
MIL-G-45 204B Class 00

Termination Area: 120 μm (3,0 μm) Sn over 50 μm (1,25 μm) Ni

Insulation Body: PBT glass-filled grey
UL flammability rated 94 V-O

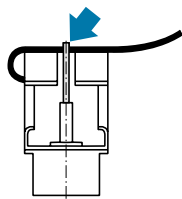
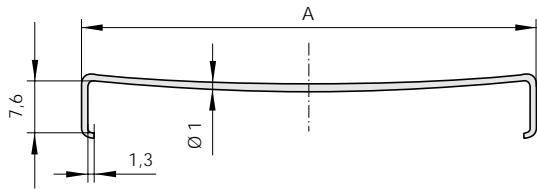
Contact: Cu alloy



Ordering Information and Dimensions (All Dimensions in mm)

Pos.	Part Number metal frame tin	Dim. A	Dim. B	Dim. C	Dim. D	Dim. E	Additional ordering information
50	621.061.035.050.000	66,9	61,11	44,2	68,7	52,5	For other versions with different surface finishes please see page 68

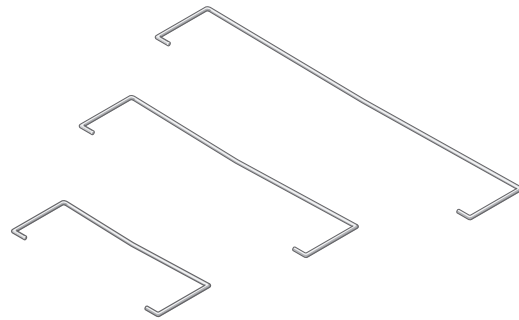
Spring Steel Strain Relief for SERIES 620/621 for D-SUB Connectors, Male- and Female



(All Dimensions in mm)

Features

- Spring-hard steel
- For 15, 25, and 37 position D-Sub connectors
- recognized

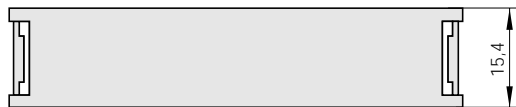
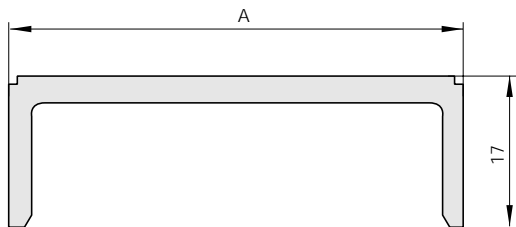


Ordering Information and Dimensions

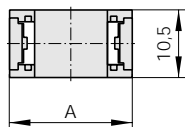
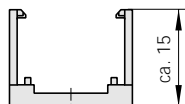
Pos.	Part Number	Dim. A
15	620.060.715.700.000	24,8
25	620.060.725.700.000	38,0
37	620.060.737.700.000	55,8

Plastic Strain Relief for SERIES 620/621 for D-SUB Connectors, Male- and Female

Strain Relief 50 positions



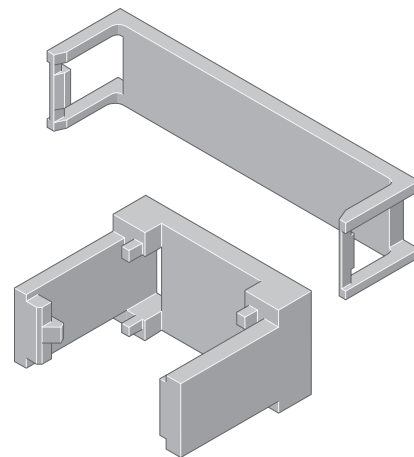
Strain Relief 09 positions



(All Dimensions in mm)

Features

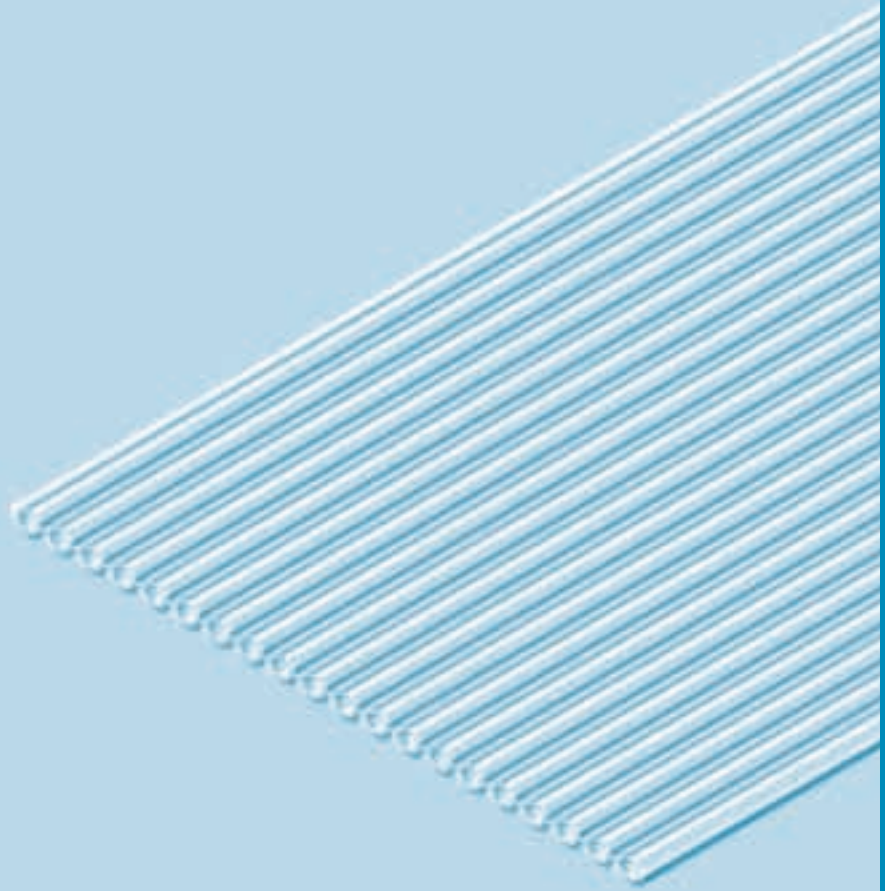
- Grey plastic
- PBT-glass-filled
- For 9 and 50 position D-Sub connectors
- recognized



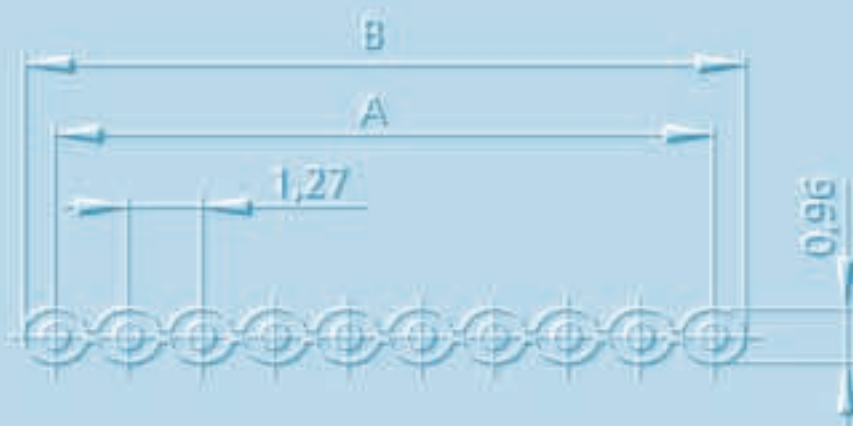
Ordering Information and Dimensions

Pos.	Part Number	Dim. A
09	620.060.709.923.000	19,2
50	620.060.750.923.000	70,5

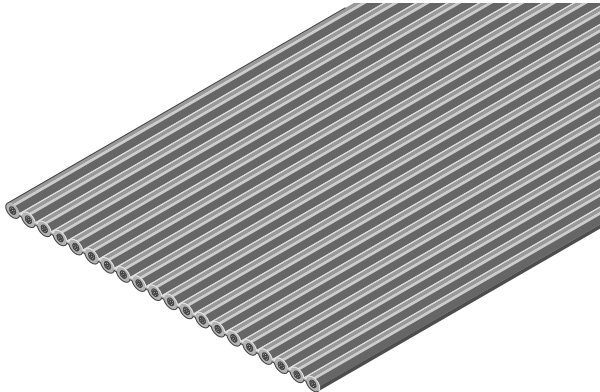
Cable AWG 28, grey, Grid 1,27 mm 56
Cable AWG 26, grey, Grid 1,27 mm 57



Ribbon Cable



FLAKAFIX Ribbon cable AWG 28
Grey (.050") 1,27 mm



Features

- Conductor Spacing (.050") 1,27 mm
- Stranded conductors
- AWG 28
- Extruded plastic
- Easy separation of plastic cable conductors
- 09 to 64 positions
- recognized

Technical Data

Electrical Specifications

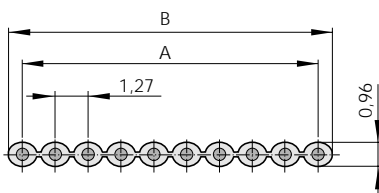
- Cross section: ~ 0,09 mm²
- Conductor diameter: ~ 0,39 mm
- Conductor design: 7 strands of Ø 0,127 mm ea.
- Test voltage: 2000 V
- Operating voltage: 300 V max.
- Current load: ca. 1 A
- Resistance: 230 Ω/km max.
- Insulation resistance: > 20 MΩ x km
- Capacity (1kHz) GSG: 45 pF/m
- Inductance: 0,46 µH/m
- Impedance (1MHz) GSG: 104 Ω
- Crosstalk
- near end (1MHz): 60 dB
- far end (1MHz): 50 dB

Mechanical Specifications

Operating Temperature: -20°C to +105°C

Material and surface finish

- Conductor: Cu-strands, tinned, (AWG 28)
- Insulation: Special PVC, similar Y18 acc. to VDE 0207;
Color: grey with blue edge mark
- Flammability rating
VDE 0472, § 804 and UL
- Shore-hardness A: 90 ± 5




(All Dimensions in mm)

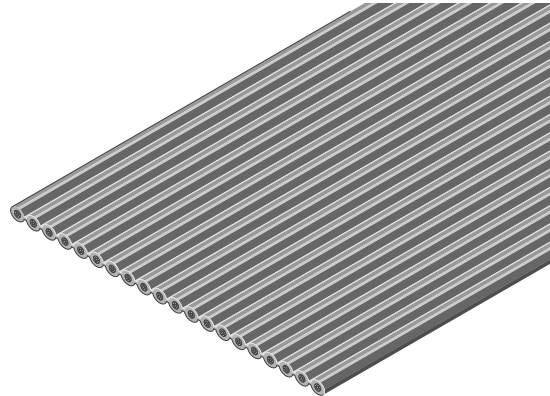
Ordering Information and Dimensions

Pos.	Part Number	Dim. A	Dim. B	Toleranz Dim. A u. B	Additional ordering information
09	921.659.016.009.000	10,16	11,43	± 0,2	Supplied in rolls (100') 30,5 m
10	921.659.016.010.000	11,43	12,70	± 0,2	
14	921.659.016.014.000	16,51	17,78	± 0,2	
15	921.659.016.015.000	17,78	19,05	± 0,2	
16	921.659.016.016.000	19,05	20,32	± 0,2	
20	921.659.016.020.000	24,13	25,40	± 0,2	
25	921.659.016.025.000	30,48	31,75	± 0,2	
26	921.659.016.026.000	31,75	33,02	± 0,2	
34	921.659.016.034.000	41,91	43,18	± 0,3	
37	921.659.016.037.000	45,72	46,99	± 0,3	
40	921.659.016.040.000	49,53	50,80	± 0,3	
50	921.659.016.050.000	62,23	63,50	± 0,3	
60	921.659.016.060.000	74,93	76,20	± 0,3	
64	921.659.016.064.000	80,01	81,28	± 0,4	

FLAKAFIX Ribbon cable AWG 26
Grey (.050") 1,27 mm

Features

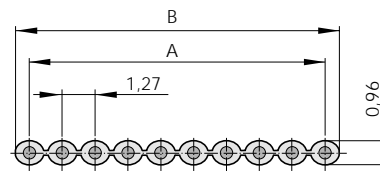
- Conductor Spacing (.050") 1,27 mm
- Stranded conductors
- AWG 26
- Extruded
- Easy separation of plastic cable conductors
- 09 to 64 positions
-  recognized



Technical Data

Electrical Specifications

- Cross section: ~ 0,14 mm²
- Conductor diameter: ~ 0,48 mm
- Conductor design: 7 strands with Ø 0,16 mm ea.
- Test voltage: 2000 V
- Operating voltage: 300 V max.
- Current load: ~ 3 A
- Resistance: 150 Ω/km max.
- Insulation resistance: 100 MΩ x km
- Capacity at 1kHz
- Symmetrical*: 42 pF/m
- Non-symmetrical*: 72 pF/m
- Inductance at 10kHz
- Symmetrical*: 0,8 µH/m
- Non-symmetrical*: 0,5 µH/m
- Characteristic impedance
- Symmetrical*: 136 Ω
- Non-symmetrical*: 90 Ω



Mechanical Specifications

Operating Temperature: -20°C to +105°C

Materials and surface finishes:

- Conductor: Cu-strand, tinned, (AWG 26)
- Insulation: Special PVC, similar Y18 acc. to VDE 0207;
 Color: Blue with black edge mark
 Flammability rating VDE 0472, § 804 and UL
 Shore-Hardness A: 90 ± 5

(All Dimensions in mm)

* = Standard values

Ordering Information and Dimensions

Pos.	Part Number	Dim. A	Dim. B	Toleranz Dim. A u. B	Additional ordering information
09	921.659.017.009.000	10,16	11,43	± 0,2	Supplied in rolls of (305')100 m
10	921.659.017.010.000	11,43	12,70	± 0,2	
14	921.659.017.014.000	16,51	17,78	± 0,2	
15	921.659.017.015.000	17,78	19,05	± 0,2	
16	921.659.017.016.000	19,05	20,32	± 0,2	
20	921.659.017.020.000	24,13	25,40	± 0,2	
25	921.659.017.025.000	30,48	31,75	± 0,2	
26	921.659.017.026.000	31,75	33,02	± 0,2	
34	921.659.017.034.000	41,91	43,18	± 0,3	
37	921.659.017.037.000	45,72	46,99	± 0,3	
40	921.659.017.040.000	49,53	50,80	± 0,3	
50	921.659.017.050.000	62,23	63,50	± 0,3	
60	921.659.017.060.000	74,93	76,20	± 0,3	
64	921.659.017.064.000	80,01	81,28	± 0,4	



For Your Notes



FLAKAFIX® Heavy Duty Bench Press, Size I	60
FLAKAFIX® Bench Press, Size II	60
Platen & Base Plate Sets for FLAKAFIX®-Bench Press Size I and Size II	61
Cable termination hand tools	62
Flakafix® hand held cable cutters	62
Flakafix® cable assembly	62



Application Tooling

Application Tooling for FLAKAFIX® Connectors

ODU offers a range of application tooling for cost effective and correct one-step termination of **FLAKAFIX®** connectors to ribbon cable. Simple operations are designed to provide optimum one-step termination procedures.

Change-over from one tool set for one connector series to another requires only a few seconds and can be performed without special skills. Selection of correct platen and base plate set for each connector series is easy and prevents the user from having to invest in unnecessary tooling.

Connectors can be terminated in parallel or in 90° position for daisy-chaining.

The compact and sturdy design of the **FLAKAFIX®** bench press makes it ideally suited for medium to high volume production runs.

Application Tooling

For termination to ribbon cable:

FLAKAFIX® Heavy Duty Bench Press, Size I
mounted on a table base, with tool nest plate.

Features

- Angled press handle
- Optimum design for easy, non-tiring operations
- Can be used for all ODU-FLAKAFIX® connector series

Ordering Information

FLAKAFIX® Bench Press, Size I
Part Number: **099.101.000.000.000**



FLAKAFIX® Bench Press, Size II
mounted on a table base, with tool nest plate.

Features

- Angled press handle
- For low volume production for ODU-FLAKAFIX® connector series

Ordering Information

FLAKAFIX® Bench Press, Size II
Part Number: **099.100.000.000.000**



Platen & Base Plate Sets
for FLAKAFIX®-Bench Press
Size I and Size II



Ordering Information and Dimensions

Discription	For Series	Electrical Bench Press		Base Plate	Platen
Transition 2-row	533.065..	099.100..	099.101..	598.120.001.600.000	598.110.021.600.000
Socket Connectors, Single-U IDC Contact	517.065..	099.100..	099.101..	598.120.001.600.000	598.110.016.600.000
Socket Connectors, Single-U IDC Contact, Dbl. Sprg. Cnt.	517.075..	099.100..	099.101..	598.120.001.600.000	598.110.016.600.000
D-SUB Connectors, Male 9-15-25-37-50 positions	620.06X..	099.100..	099.101..	598.120.002.600.000	598.110.017.600.000
D-SUB Connectors, Female 9-15-25-37-50 positions	621.06X..	099.100..	099.101..	598.120.002.600.000	598.110.017.600.000
DIN Connectors 64 positions (only for Size I)	538.075..	XXX	099.101..	598.120.006.600.000	598.120.016.600.000

FLAKAFIX® Hand Held Cable Cutters

Features

- Cut ribbon cable up to 64 conductors
- Easy to handle
- Feed cable from the side
- Accurate right-angle cuts

Ordering Information

FLAKAFIX® Hand Held Cable Cutters
Part Number: **080.001.001.000.000**



FLAKAFIX® Cable Assembly

ODU can also provide complete cable assemblies.

All cable assemblies are tested according to AQL.

100% testing is available.

Please send your cable assembly drawings.

For Your Notes



For Your Notes



Part Number Key

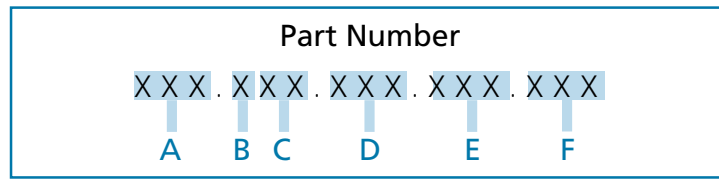
Series 517 66
Series 511 67
Series 620 / 621 68

Packing units Series 511, 517, 533 69



Part Number Key Packing units

Part Number Key for Series 517



Page

A = SERIES

517 Socket Connectors

6 to 7

B = Version

- 0 = Cover separate
- 1 = Cover pre-assembled

C = Type

- 65 = Single-U IDC contact, single-action wiping spring contact
- 66 = Single-U IDC contact, single-action wiping spring contact with strain relief
- 68 = Single-U IDC contact, single-action wiping spring contact without polarization key
- 75 = Single-U IDC contact, double-action wiping spring contact
- 76 = Single-U IDC contact, double-action wiping spring contact with strain relief

D = Surface Finish

- 003 = 20 μ" (0,5 μm) Au over Ni **(Standard)**
- 009 = Flash gold **(Standard)**
- 035 = 30 μ" (0,75 μm) Au over Ni

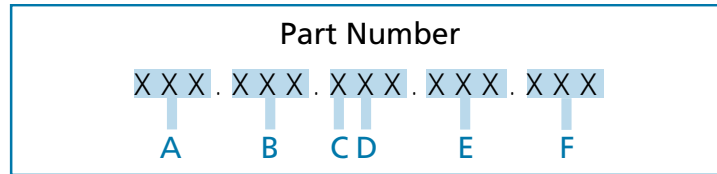
E = Positions

- 010 = 10 positions

F = Packing unit see page 69

Example: 5 1 7 . 0 6 5 . 0 0 3 . 0 1 0 . 0 1 0
A B C D E F

Part Number Key for Series 511



A = SERIE

511 Header

Page
9 to 40

B = Type (Straight Version)

030 = Unprotected, insulation body 6,04 / 2,8 mm	16/38
032 = Unprotected, insulation body 5,08 / 2,8 mm	16/38
052 = Solder pin 4,5 mm without latches	11/33
053 = Solder pin 4,5 mm with latches short	11/33
054 = Solder pin 4,5 mm with latches long	11/33
060 = Solder pin 3,2 mm without latches	10/32
061 = Solder pin 3,2 mm with latches short	10/32
062 = Solder pin 3,2 mm with latches long	10/32
066 = Solder pin 3,2 mm, low profile	14/36
068 = SMT-low profile	22
073 = Solder pin 4,5 mm, low profile	14/36
090 = Press fit, without latches	26
091 = Press fit, with latches short	26
092 = Press fit, with latches long	26
106 = Press fit, low profile	27
120 = Press fit, 1-row unprotected, insulation body 3,5 / 2,8 mm	28
130 = Press fit, 2-rows unprotected, insulation body 6,04 / 2,8 mm	29
132 = Press fit, 2-rows unprotected, insulation body 5,08 / 2,8 mm	29
150 = SMT, without latches	20
151 = SMT, with short latches	20
152 = SMT, with long latches	20
302 = Unprotected SMT	23

B = Type (Right-Angle Version)

110 = SMT, without latches	21
111 = SMT, with short latches	21
112 = SMT, with long latches	21
252 = Solder pin 4,5 mm without latches	13/35
253 = Solder pin 4,5 mm with latches short	13/35
254 = Solder pin 4,5 mm with latches long	13/35
260 = Solder pin 3,2 mm without latches	12/34
261 = Solder pin 3,2 mm with latches short	12/34
262 = Solder pin 3,2 mm with latches long	12/34
266 = Solder pin 3,2 mm, low profile	15/37
270 = Unprotected, insulation body 6,04 / 2,8 mm	17/39
273 = Solder pin 4,5 mm, low profile	15/37
301 = Unprotected SMT	24

C = High Temperature resistance

- 0 = Standard
- 8 = Ins. body LCP
High Temperature resistance
(SMT-compatible)

D = Surface Finish

- 003 = 20 μ" (0,5 μm) Au over Ni (Contact Area)
120 μ" (3,0 μm) Sn over 50 μ" (1,25 μm) Ni
(Standard)
- 009 = Flash gold **(Standard)**
- 035 = 30 μ" (0,75 μm) Au over Ni

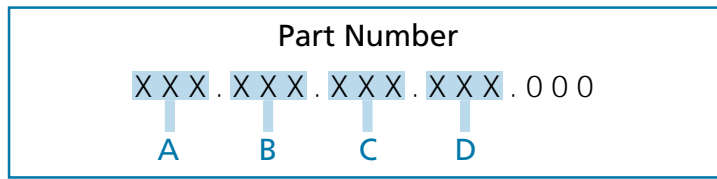
Example: 5 1 1 . 0 6 0 . 0 0 3 . 0 1 0 . 0 1 0
 A B C D E F

E = Positions

- 010 = 10 positions

F = Packing units – see page 69

Part Number Key for Series 620/621 9-37 positions



A = SERIES

- 620 D-SUB Connectors, Male
- 621 D-SUB Connectors, Female

Page

48/49
51/52

B = Version

- 091 = Frame tinned

C = Surface Finish

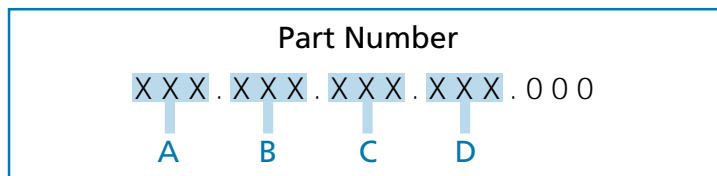
- 035 = 30 μm (0,75 μm) Au over 50 μm (1.25 μm) Ni (Standard)

D = Positions

- 009 = 9 positions
- 015 = 15 positions
- 037 = 37 positions

Example: 6 2 0 . 0 9 1 . 0 3 5 . 0 0 9 . 0 0 0
 A B C D

Part Number Key for Series 620/621 50 positions



A = SERIES

- 620 D-SUB Connectors, Male
- 621 D-SUB Connectors, Female

Page

50
53

B = Version

- 061 = Frame tinned with UNC 4/40 insert female
- 075 = Frame tinned with M3 insert female

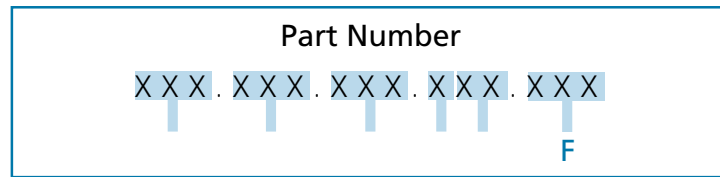
C = Surface Finish

- 009 = Flash gold (Standard)
- 035 = 30 μm (0,75 μm) Au over 50 μm (1.25 μm) Ni (Standard)

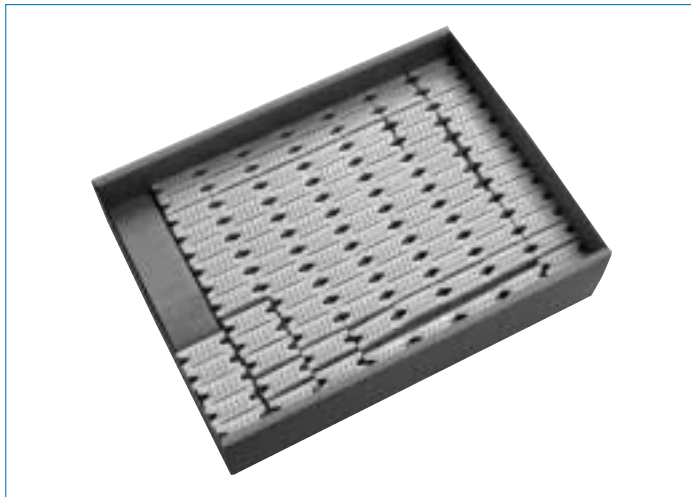
D = Positions

- 050 = 50 positions

Example: 6 2 1 . 0 6 1 . 0 3 5 . 0 5 0 . 0 0 0
 A B C D



F = Packing Units



010 = Card box



050 = Tape/Reel



ODU's headquarters and factory are located in Mühlendorf, at the river Inn, approximately 50 miles east of Munich, at the foothills of the Bavarian Alps.



Photo of City Mühlendorf/Inn



Mühlendorf, an idyllic small town with its typical Inn-Salzach architecture.



Steckverbindungssysteme

ODU-Steckverbindungssysteme GmbH & Co. KG
Otto Dunkel GmbH

Pregelstraße 11 · D-84453 Mühlendorf/Inn

Tel. +49/86 31/61 56-0

Fax +49/86 31/61 56 49

Internet: <http://www.odu.de>

E-Mail: zentral@odu.de

ODU France

Téléphone: +33/1 39 35 46 90

Télécopie: +33/1 39 35 46 91

E-Mail:

odu.france@wanadoo.fr

ODU-UK Ltd.

Tel. +44/1509-266 433

Fax +44/1509-266 777

E-Mail:

oduuk@globalnet.co.uk

ODU Scandinavia AB

Tel. +46/176-182 61

Fax +46/176-182 62

E-Mail:

peter.biloch@odu.se

ODU USA Inc.

Tel. +1/805 484 0540

Fax +1/805 484 7458

E-Mail:

ralfeb@odu-usa.com

<http://www.odu-usa.com>

ODU-Shanghai Intern. Trading

Tel. +86/2150-815 774

Fax +86/2150-815 668

E-Mail:

odujin@sh163.net

ODU-Shanghai Manufacturing

Tel. +86/2150-815 774

Fax +86/2150-815 668

E-Mail:

odujin@sh163.net