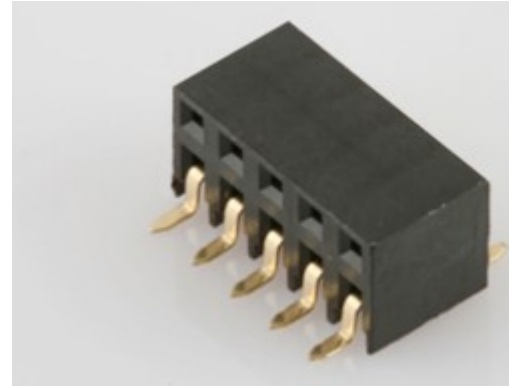
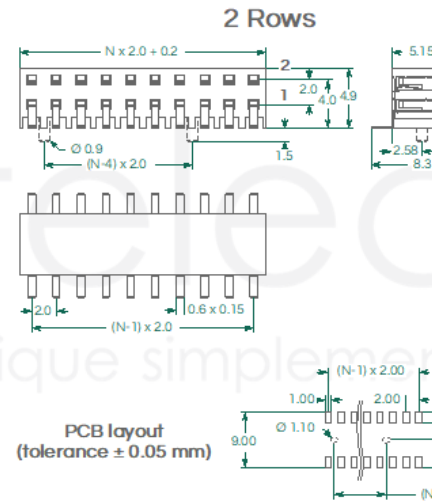
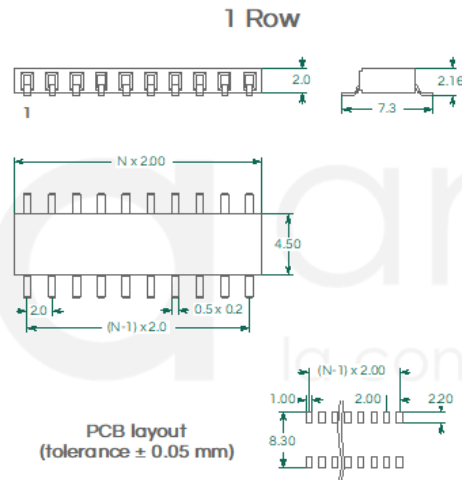
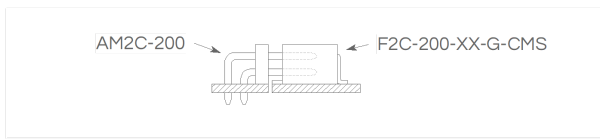


Current rating : 2.0 A
 Dielectric withstanding voltage : 500 Volts AC during 1 mn
 Insulation resistance : > 5000 MΩ
 Contact resistance : < 20 mΩ
 Operating temperature : -55°C to +125°C
 Max processing temperature : 260°C during 5 sec
 Contact : phosphor bronze
 Plating : gold flash
 Insulator : nylon-6T, UL94V-0



Mounting example(s)



Create your part number

F1C	200	XX	G	CMS		
Socket 1 row right angle or F2C for socket 2 rows right angle	Pitch 2.00 mm	Total number of contacts	Gold	SMT version	Without Pegs or P for with Pegs (2 Rows only)	In Bulk or B/A for Reel with pad or T/A for Tube with pad

Pr

Nur
1 rc
2 rc