



F100102 Quint 2-Input OR/NOR Gate

General Description

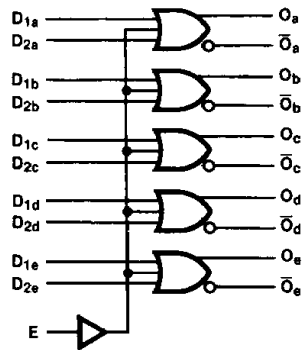
The F100102 is a monolithic quint 2-input OR/NOR gate with common enable. All inputs have 50 kΩ pull-down resistors and all outputs are buffered.

Refer to the F100302 datasheet for:

- PCC packaging
- Lower power
- Military versions
- Extended voltage specs (-4.2V to -5.7V)

Ordering Code: See Section 8

Logic Symbol



TL/F/9836-3

Pin Names	Description
D _{na} -D _{ne}	Data Inputs
E	Enable Input
O _a -O _e	Data Outputs
O _a -O _e	Complementary Data Outputs

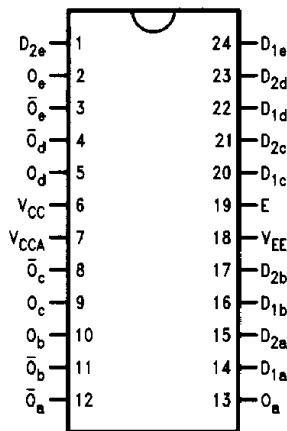
TABLE 1. F100102 Truth Table

D _{1x}	D _{2x}	E	O _x	O _x
L	L	L	L	H
L	L	H	H	L
L	H	L	H	L
L	H	H	H	L
H	L	L	H	L
H	L	H	H	L
H	H	L	H	L
H	H	H	H	L

H = HIGH Voltage Level
L = LOW Voltage Level

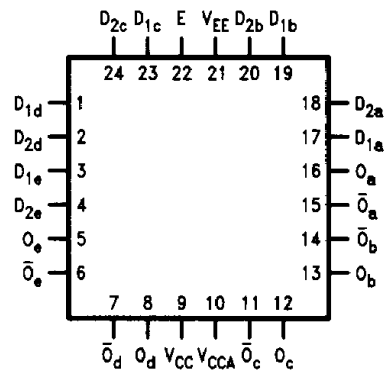
Connection Diagrams

24-Pin DIP



TL/F/9836-1

24-Pin Quad Cerpak



TL/F/9836-2

Absolute Maximum Ratings

Above which the useful life may be impaired (Note 1)

If Military/Aerospace specified devices are required, please contact the National Semiconductor Sales Office/Distributors for availability and specifications.

Storage Temperature	-65°C to +150°C
Maximum Junction Temperature (T _J)	+150°C
Case Temperature under Bias (T _C)	0°C to +85°C

V _{EE} Pin Potential to Ground Pin	-7.0V to +0.5V
Input Voltage (DC)	V _{EE} to +0.5V
Output Current (DC Output HIGH)	-50 mA
Operating Range (Note 2)	-5.7V to -4.2V

DC Electrical Characteristics

V_{EE} = -4.5V, V_{CC} = V_{CCA} = GND, T_C = 0°C to +85°C (Note 3)

Symbol	Parameter	Min	Typ	Max	Units	Conditions (Note 4)	
V _{OH}	Output HIGH Voltage	-1025	-955	-880	mV	V _{IN} = V _{IH(Max)} or V _{IL(Min)}	Loading with 50Ω to -2.0V
V _{OL}	Output LOW Voltage	-1810	-1705	-1620	mV		
V _{OHC}	Output HIGH Voltage	-1035			mV	V _{IN} = V _{IH(Min)} or V _{IL(Max)}	Loading with 50Ω to -2.0V
V _{OLC}	Output LOW Voltage			-1610	mV		
V _{IH}	Input HIGH Voltage	-1165		-880	mV	Guaranteed HIGH Signal for All Inputs	
V _{IL}	Input LOW Voltage	-1810		-1475	mV	Guaranteed LOW Signal for All Inputs	
I _{IL}	Input LOW Current	0.50			μA	V _{IN} = V _{IL(Min)}	

DC Electrical Characteristics

V_{EE} = -4.2V, V_{CC} = V_{CCA} = GND, T_C = 0°C to +85°C (Note 3)

Symbol	Parameter	Min	Typ	Max	Units	Conditions (Note 4)	
V _{OH}	Output HIGH Voltage	-1020		-870	mV	V _{IN} = V _{IH(Max)} or V _{IL(Min)}	Loading with 50Ω to -2.0V
V _{OL}	Output LOW Voltage	-1810		-1605	mV		
V _{OHC}	Output HIGH Voltage	-1030			mV	V _{IN} = V _{IH(Min)} or V _{IL(Max)}	Loading with 50Ω to -2.0V
V _{OLC}	Output LOW Voltage			-1595	mV		
V _{IH}	Input HIGH Voltage	-1150		-870	mV	Guaranteed HIGH Signal for All Inputs	
V _{IL}	Input LOW Voltage	-1810		-1475	mV	Guaranteed LOW Signal for All Inputs	
I _{IL}	Input LOW Current	0.50			μA	V _{IN} = V _{IL(Min)}	

DC Electrical Characteristics

V_{EE} = -4.8V, V_{CC} = V_{CCA} = GND, T_C = 0°C to +85°C (Note 3)

Symbol	Parameter	Min	Typ	Max	Units	Conditions (Note 4)	
V _{OH}	Output HIGH Voltage	-1035		-880	mV	V _{IN} = V _{IH(Max)} or V _{IL(Min)}	Loading with 50Ω to -2.0V
V _{OL}	Output LOW Voltage	-1830		-1620	mV		
V _{OHC}	Output HIGH Voltage	-1045			mV	V _{IN} = V _{IH(Min)} or V _{IL(Max)}	Loading with 50Ω to -2.0V
V _{OLC}	Output LOW Voltage			-1610	mV		
V _{IH}	Input HIGH Voltage	-1165		-880	mV	Guaranteed HIGH Signal for All Inputs	
V _{IL}	Input LOW Voltage	-1830		-1490	mV	Guaranteed LOW Signal for All Inputs	
I _{IL}	Input LOW Current	0.50			μA	V _{IN} = V _{IL(Min)}	

Note 1: Absolute maximum ratings are those values beyond which the device may be damaged or have its useful life impaired. Functional operation under these conditions is not implied.

Note 2: Parametric values specified at -4.2V to -4.8V.

Note 3: The specified limits represent the "worst case" value for the parameter. Since these "worst case" values normally occur at the temperature extremes, additional noise immunity and guard banding can be achieved by decreasing the allowable system operating ranges.

Note 4: Conditions for testing shown in the tables are chosen to guarantee operation under "worst case" conditions.

DC Electrical Characteristics

$V_{EE} = -4.2V$ to $-4.8V$ unless otherwise specified, $V_{CC} = V_{CCA} = GND$, $T_C = 0^\circ C$ to $+85^\circ C$

Symbol	Parameter	Min	Typ	Max	Units	Conditions
I_{IH}	Input HIGH Current Data Enable			350 300	μA	$V_{IN} = V_{IH(Max)}$
I_{EE}	Power Supply Current	-80	-55	-38	mA	Inputs Open

Ceramic Dual-In-Line Package AC Characteristics

$V_{EE} = -4.2V$ to $-4.8V$, $V_{CC} = V_{CCA} = GND$

Symbol	Parameter	$T_C = 0^\circ C$		$T_C = +25^\circ C$		$T_C = +85^\circ C$		Units	Conditions
		Min	Max	Min	Max	Min	Max		
t_{PLH} t_{PHL}	Propagation Delay Data to Output	0.45	1.35	0.45	1.15	0.45	1.40	ns	Figures 1 and 2
t_{PLH} t_{PHL}	Propagation Delay Enable to Output	0.95	2.15	0.95	2.15	0.95	2.20	ns	
t_{TLH} t_{THL}	Transition Time 20% to 80%, 80% to 20%	0.45	1.30	0.45	1.20	0.45	1.20	ns	

Cerpak AC Characteristics

$V_{EE} = -4.2V$ to $-4.8V$, $V_{CC} = V_{CCA} = GND$

Symbol	Parameter	$T_C = 0^\circ C$		$T_C = +25^\circ C$		$T_C = +85^\circ C$		Units	Conditions
		Min	Max	Min	Max	Min	Max		
t_{PLH} t_{PHL}	Propagation Delay Data to Output	0.45	1.15	0.45	0.95	0.45	1.20	ns	Figures 1 and 2
t_{PLH} t_{PHL}	Propagation Delay Enable to Output	0.95	1.95	0.95	1.95	0.95	2.00	ns	
t_{TLH} t_{THL}	Transition Time 20% to 80%, 80% to 20%	0.45	1.20	0.45	1.10	0.45	1.10	ns	

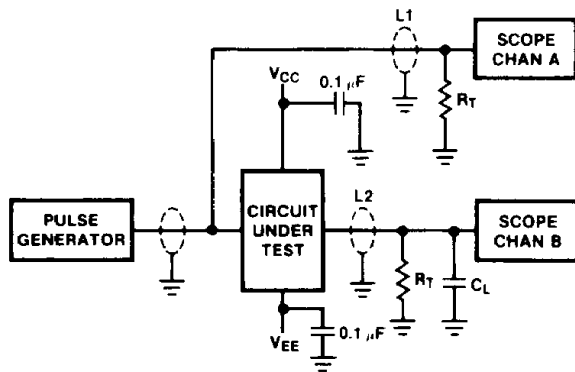


FIGURE 1. AC Test Circuit

TL/F/9836-5

Notes:

- $V_{CC}, V_{CCA} = +2V$, $V_{EE} = -2.5V$
- L1 and L2 = equal length 50Ω impedance lines
- $R_T = 50\Omega$ terminator internal to scope
- Decoupling 0.1 μF from GND to V_{CC} and V_{EE}
- All unused outputs are loaded with 50Ω to GND
- $C_L =$ Fixture and stray capacitance ≤ 3 pF

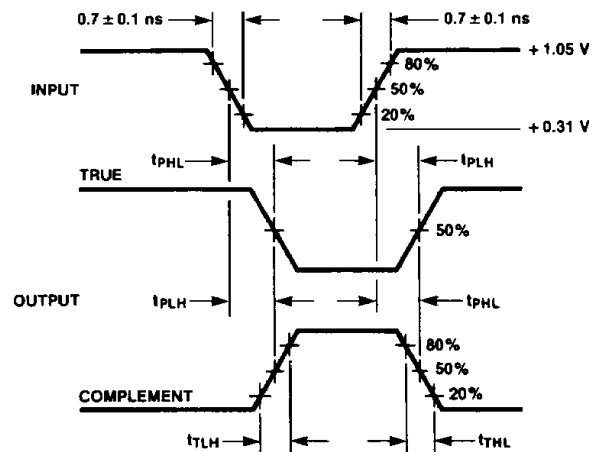


FIGURE 2. Propagation Delay and Transition Times

TL/F/9836-6