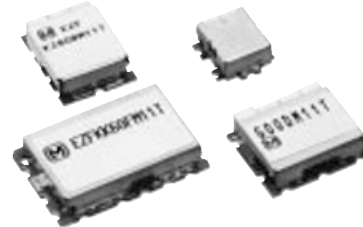


### Dielectric Band-pass Filters (SMD)

Series: **K**

- Type: **AM** (2 Poles)  
**BM** (3 Poles)  
**DM** (4 Poles)  
**EM** (5 Poles)  
**FM** (6 Poles)



Dielectric Band-pass Filters, Series K are compact surface mounting devices and are designed for such applications as digital cellular base stations (GSM, DCS, PCS), featuring low insertion loss and large attenuation.

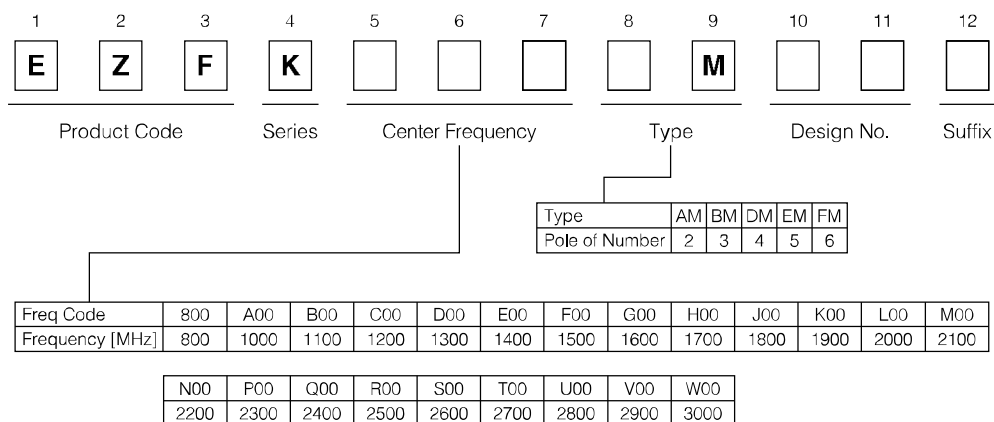
#### ■ Features

- Compact and thin type SMD
- Low insertion loss
- Large attenuation
- Designed for reflow
- Embossed taping types
- Available frequency range: 800 to 3000 MHz

#### ■ Recommended Applications

- GSM/EGSM Base station
- DCS Base station
- PCS Base station
- WLL Base station
- etc.

#### ■ Explanation of Part Numbers



### ■ Ratings

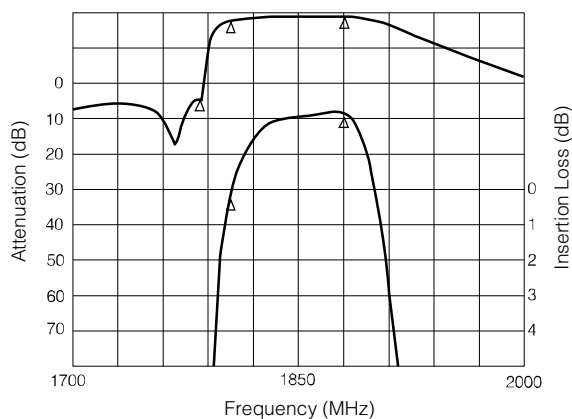
Item	Ratings
Operating Temperature Range	-25 to +85 °C
Storage Temperature Range	-40 to +85 °C
Rated Input Power	1 W
Input/Output Impedance	50 Ω

### ■ Characteristics

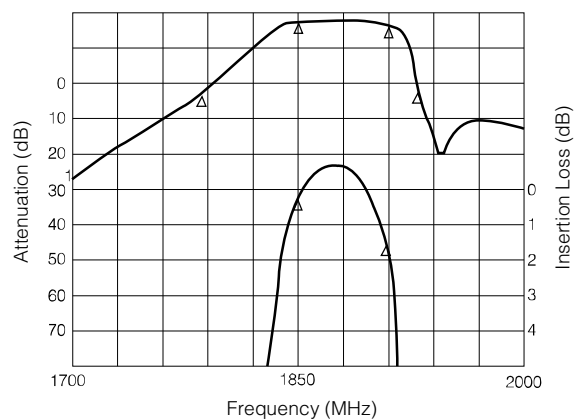
System	Part No.	Center Frequency (MHz)	Passband Width (MHz)	Insertion Loss (dB)	Attenuation (dB)(MHz)
EGSM	EZFK898FM□□□	897.5	±17.5	4.6	9.5 (925 ~ 960)
	EZFK942FM□□□	942.5	±17.5	5.8	40 (880 ~ 915)
DCS	EZFKH48FM□□□	1747.5	±37.5	3.5	20 (1805 ~ 1880)
	EZFKJ42FM□□□	1842.5	±37.5	3.5	20 (1710 ~ 1785)
PCS	EZFKJ80FM□□□	1880.0	±30.0	3.2	20 (1930 ~ 1990)
	EZFKK60FM□□□	1960.0	±30.0	3.0	20 (1850 ~ 1910)

### ■ Typical Characteristics

EZFKJ42FM□□□

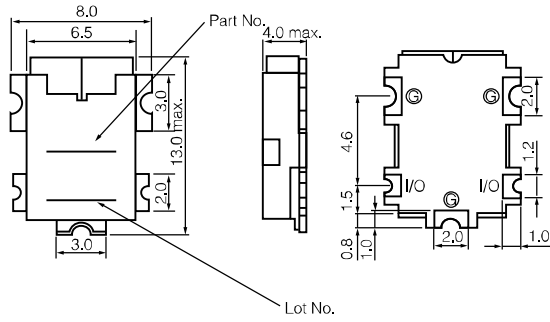


EZFKJ80FM□□□

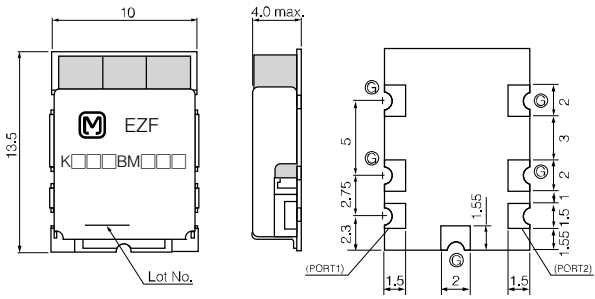


■ Dimensions in mm (not to scale)

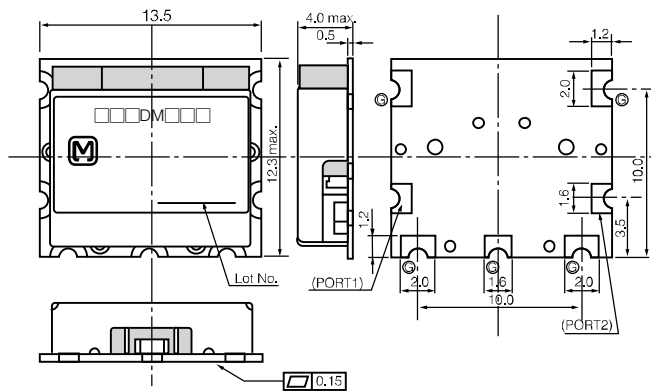
EZFK□□□AM□□□



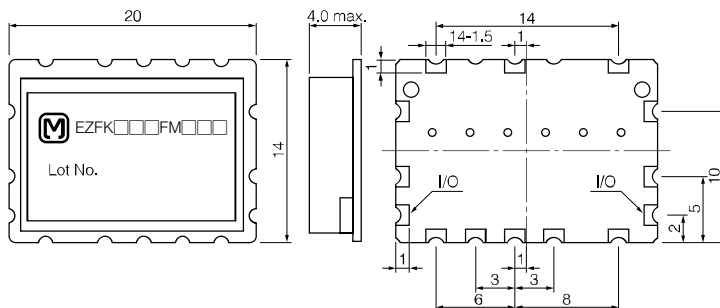
EZFK□□□BM□□□



EZFK□□□DM□□□

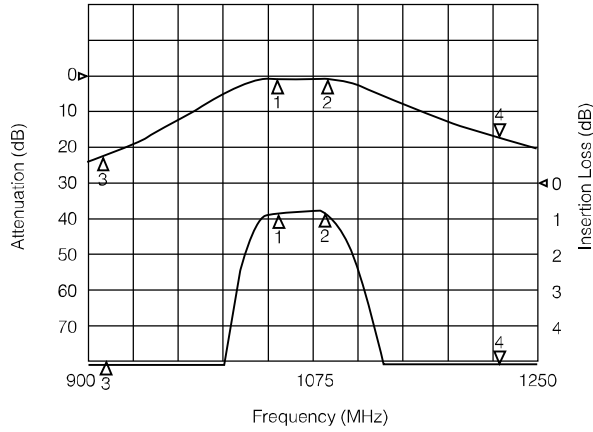


EZFK□□□FM□□□

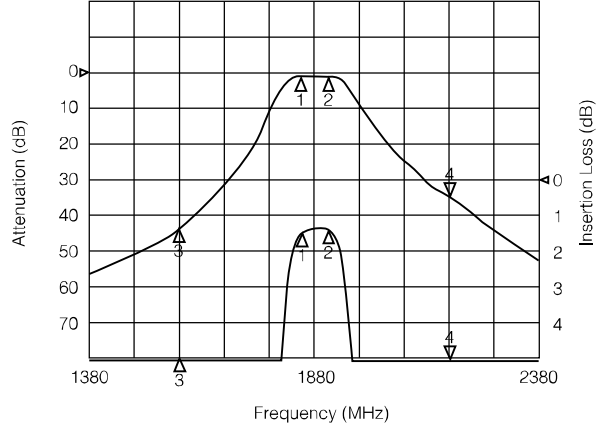


■ Dimensions in mm (not to scale)

EZFKA68AM50T



EZFKJ80BM11T



EZFKJ80DM□□T

