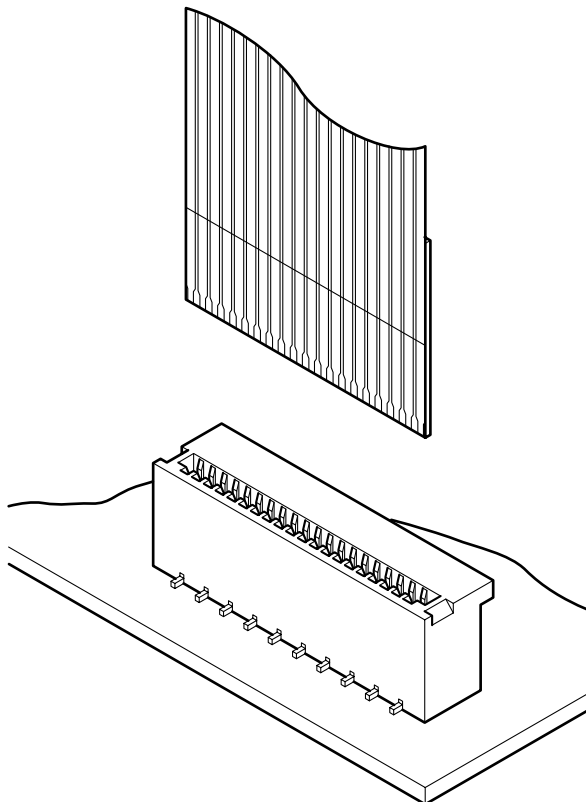


# FLT CONNECTOR

Connectors for FFC and FPC



## Features

- **Heat resistant design suitable for surface mounting**

The housing is made of heat resistant plastic to allow reflow soldering.

- **Staggered surface mount tails**

The lead pitch is thus 1.0mm (.039"), which enables connector mounting operation easier.

- **Embossed tape for automatic mounting**

The FLT connector is packaged in embossed tape for automatic mounting. The plastic reel can be used repeatedly, good for eco-system.

- **FFC/FPC insertion is easy**

Staggered and unique contact point layout can reduce the FFC/FPC insertion force, yet with secure retention force.

- **Compact design**

This connector measures only 4.15mm (.163") high after mounting, with a reduced surface mounting area, as solder tabs are not necessary because of the staggered solder tail construction.

## Specifications

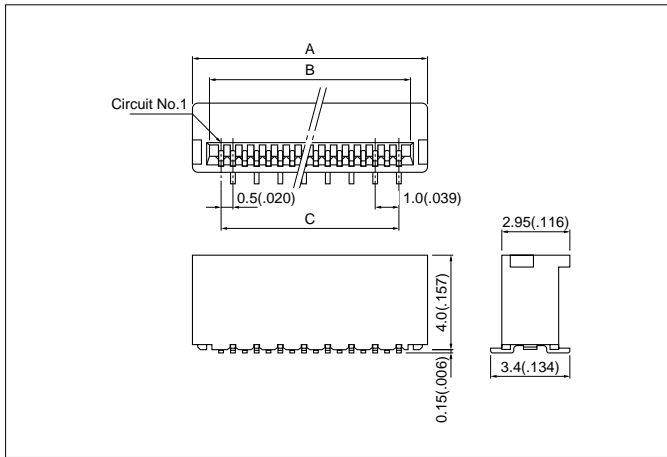
- Current rating: 0.5A AC, DC
- Voltage rating: 50V AC, DC
- Temperature range: -25°C to +85°C  
(including temperature rise in applying electrical current)
- Contact resistance: Initial value/50m Ω max.  
After environmental testing/20m Ω max.
- Insulation resistance: 500M Ω min.
- Withstanding voltage: 200V AC/minute
- Applicable FFC and FPC: Lead pitch/0.5mm (.020")  
Lead width/0.35mm (.014")  
Mating part thickness/  
0.30 ± 0.05mm (.012" ± .002)

Note: FPC to be actually used should be checked for applicability.

\* Contact JST for details.

# FLT CONNECTOR

## Connector



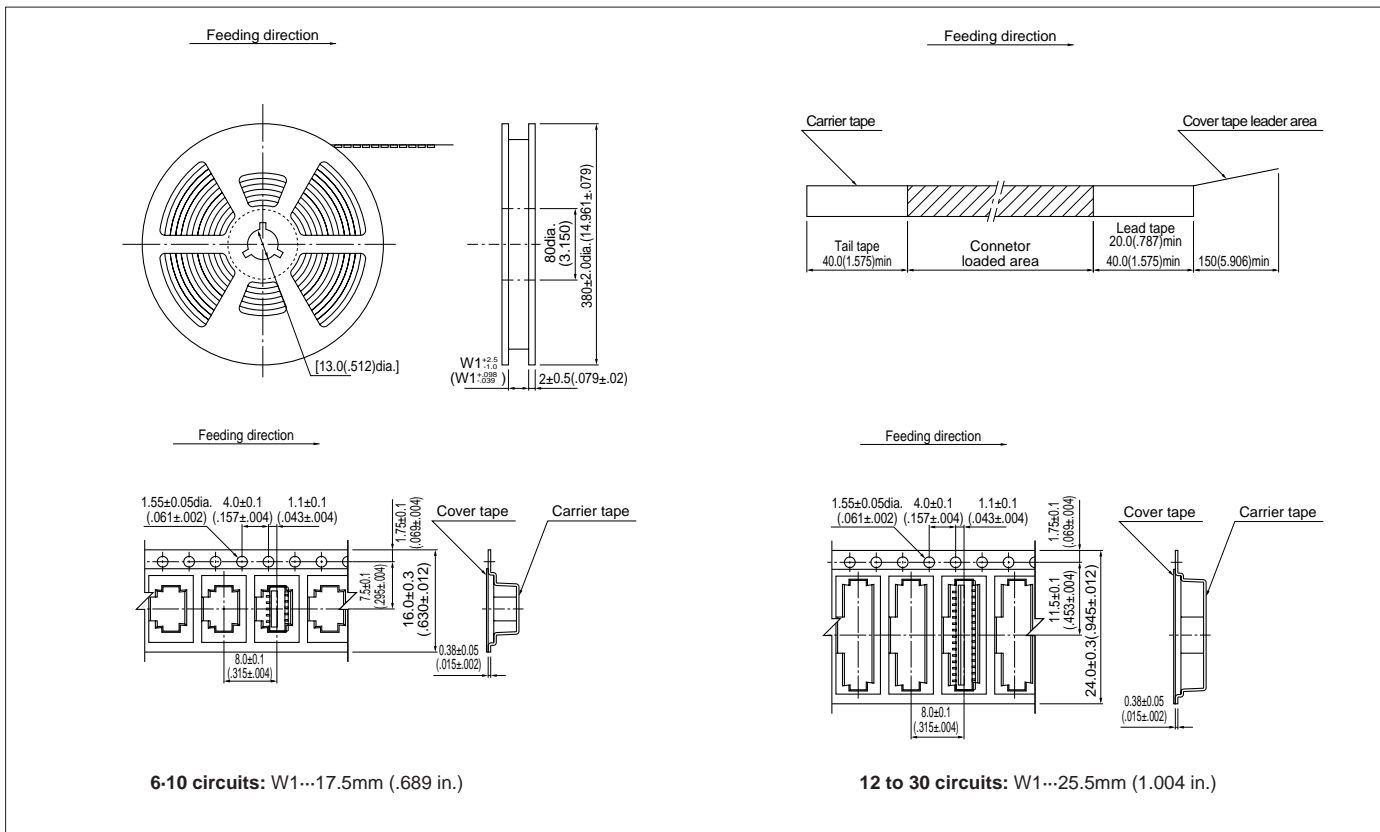
Circuits	Model No.	Dimensions mm (in.)			Q'ty/ reel
		A	B	C	
6	<b>06FLT-SM1-TB</b>	4.9(.193)	3.5(.138)	2.5(.098)	2,500
10	<b>10FLT-SM1-TB</b>	6.9(.027)	5.5(.217)	4.5(.177)	2,500
12	<b>12FLT-SM1-TB</b>	7.9(.311)	6.5(.256)	5.5(.217)	2,500
14	<b>14FLT-SM1-TB</b>	8.9(.350)	7.5(.295)	6.5(.256)	2,500
16	<b>16FLT-SM1-TB</b>	9.9(.390)	8.5(.335)	7.5(.295)	2,500
18	<b>18FLT-SM1-TB</b>	10.9(.429)	9.5(.374)	8.5(.335)	2,500
20	<b>20FLT-SM1-TB</b>	11.9(.469)	10.5(.413)	9.5(.374)	2,500
24	<b>24FLT-SM1-TB</b>	13.9(.547)	12.5(.492)	11.5(.453)	2,500
26	<b>26FLT-SM1-TB</b>	14.9(.587)	13.5(.531)	12.5(.492)	2,500
28	<b>28FLT-SM1-TB</b>	15.9(.626)	14.5(.571)	13.5(.531)	2,500
30	<b>30FLT-SM1-TB</b>	16.9(.665)	15.5(.610)	14.5(.571)	2,500

### Material and Finish

Contact: Phosphor bronze, copper-undercoated, tin/lead-plated  
Housing: Nylon 46, UL94V-0

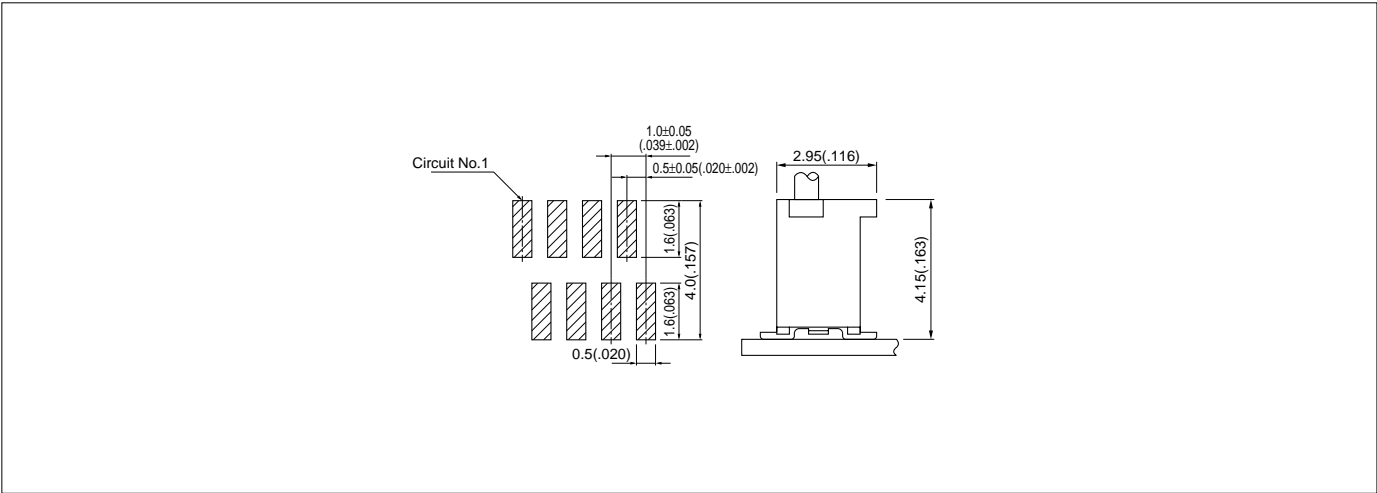
Note: The products listed above are supplied on embossed-tape.

## Taping specifications



Note: Specifications conform to JIS C 0806. The tape width, connector recess hole dimensions, etc. are determined by the number of circuits and external shape of the connector to be loaded.

## PC board layout (viewed from component side) and Assembly layout



- Note:
1. Tolerances are non-Cumulative:  $\pm 0.05\text{mm}$  ( $\pm .002''$ ) for all centers.
  2. Hole dimensions differ according to the kind of PC board and piercing method.  
The dimensions above should serve as a guide line. Contact JST for details.

## Lead section dimensions of FFC and FPC

