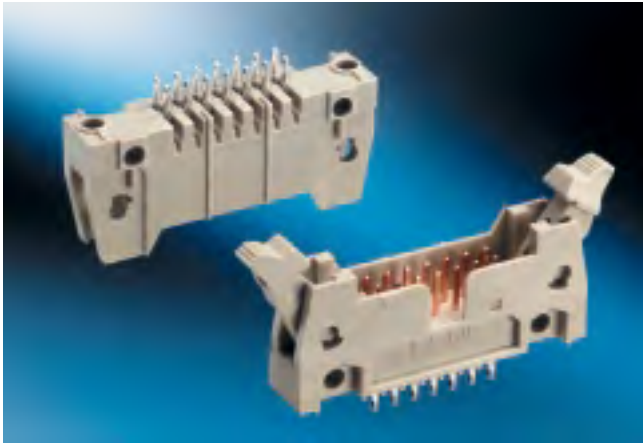


Pressfit Male Connectors with Locking Feature



ERNI LPV connectors with pressfit zone can be used in applications where a soldering process is not possible or a second process not required, i.e. with backplanes. Therefore ERNIs pressfit EE zone for 1mm holes is our customers' preferred solution. More than 20 years of experience in this area makes ERNI one of the most competent partners in the world. Additionally our customers can benefit from approvals of several automotive suppliers.



Ordering Information

LPV-M Termination: Pressfit

No. of pins	Part number
10	063582
14	063583
16	063584
20	063585
26	063586
34	063587
40	063588
50	063589
60	063590
64	063591

Interlocking Latches (Order 2 per male connector)

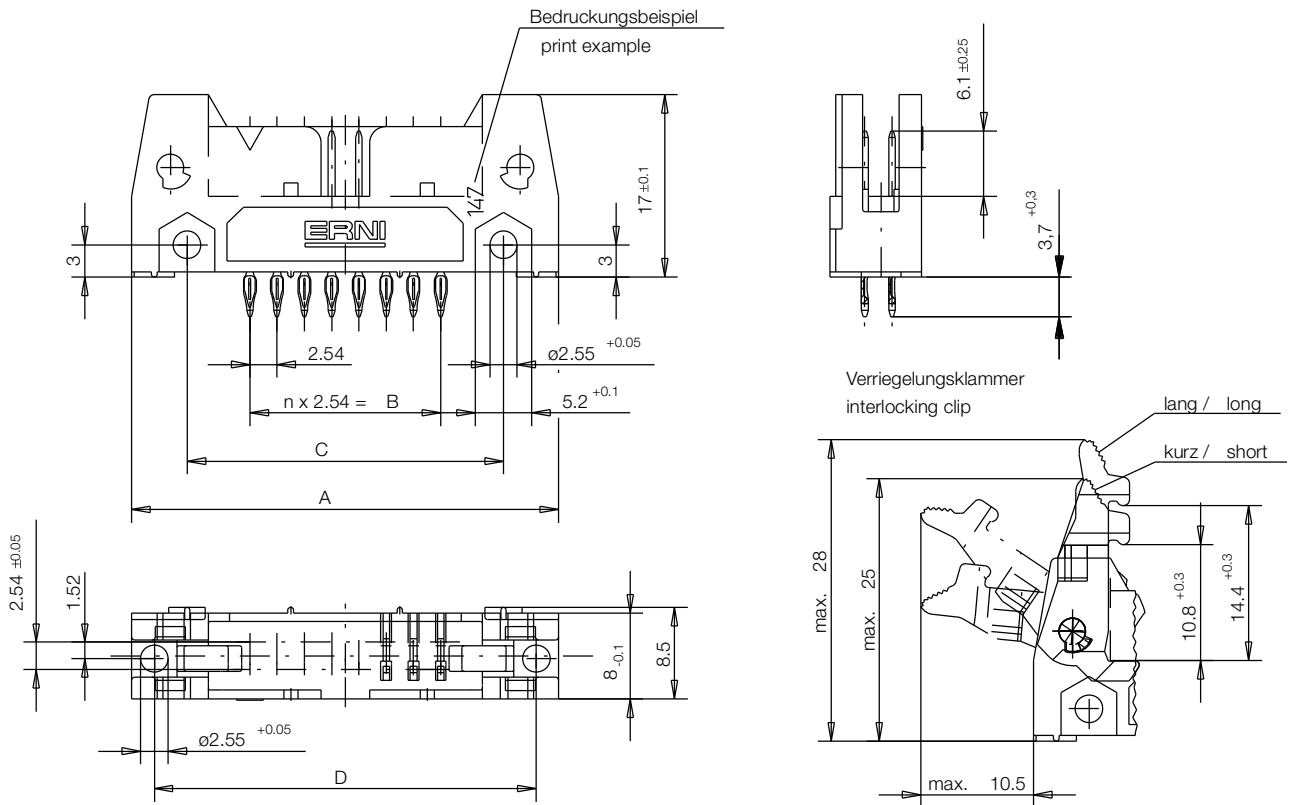
	Part number
Interlocking Latch long	154931
Interlocking Latch short	073091

Pressing-in without interlocking latches.
The latches are mounted subsequently.

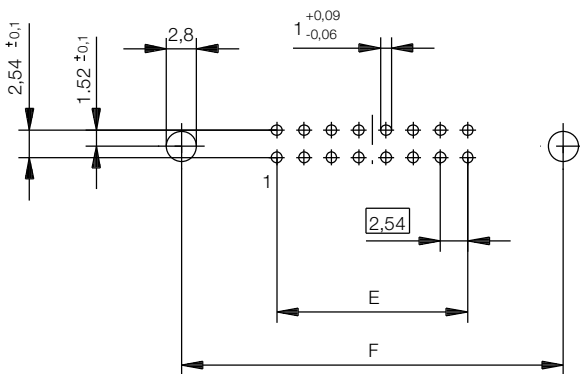


Pressfit Male Connectors with Locking Feature

Dimensional drawings



PCB Layout



Loch Aufbau siehe ERNI-Spezifikation 164062
hole design see ERNI-specification 164062

Polzahl No. of contacts	A ±0.1	B	C ±0.1	D ±0.1	E±0.05	F±0.1
64	100.71	78.74	90.42	96.52	78.74	96.52
60	95.63	73.66	85.34	91.44	73.66	91.44
50	82.93	60.96	72.64	78.74	60.96	78.74
40	70.23	48.26	59.94	66.04	48.26	66.04
34	62.61	40.64	52.32	58.42	40.64	58.42
26	52.45	30.48	42.16	48.26	30.48	48.26
20	44.83	22.86	34.54	40.64	22.86	40.64
16	39.75	17.78	29.46	35.56	17.78	35.56
14	37.21	15.24	26.92	33.02	15.24	33.02
10	32.13	10.16	21.84	27.94	10.6	27.94

All dimensions in mm