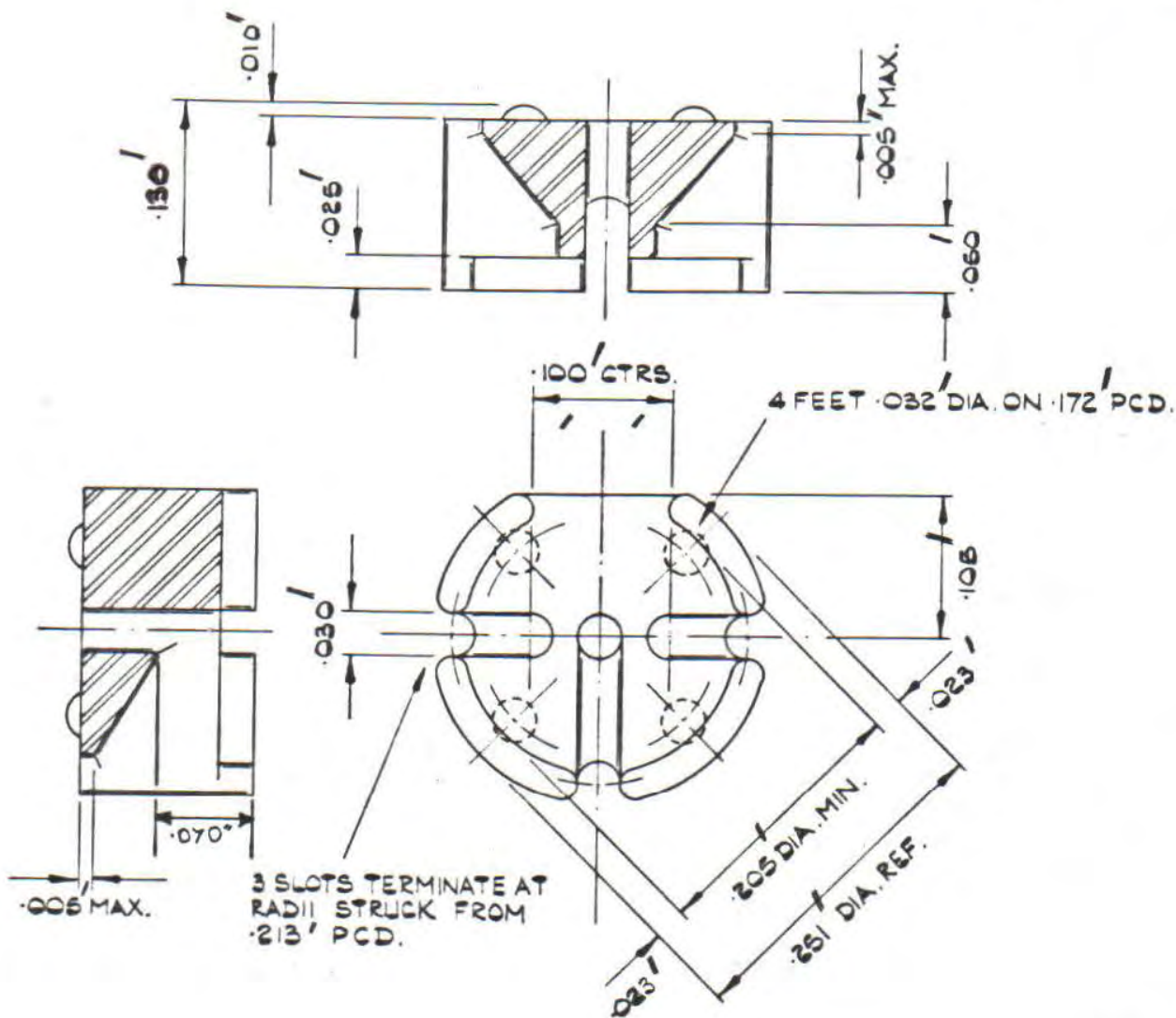


No.

A27 1002

FOR EXPLANATION OF DIMENSIONING, ETC. SEE B.S.308

THIRD ANGLE PROJECTION



PART No.	RAT PT NO.	MATL.
EPX-002 D	J27-1002 D	A1406
EPX-002 P	J27-1002 P	A1407

DATE	ISS.	REVISION	SIG.
28-2-78	D	ReNo.	NS
28.3.80	E	CHANGE NOTE N <sup>o</sup> 0227	RN.
24-11-08	F	DIMN .130" WAS .135"	AE

MATERIAL	FINISH
See table	/
TOLERANCE	DRAWN
± .005" U.O.S.	NS.
	TRACED
	CHECKED
SCALE: 8 : 1	DATE
DIMS. INCHES	28-2-78

TITLE TRANSISTOR PAD

Sevenoaks Kent  
 Telephone Sevenoaks 10732158271  
 Telegrams Jermyn Sevenoaks  
 Telex 35142

DRG No.  
 A27 1002

Jermyn Manufacturing