

DS1687/DS3687 Negative Voltage Relay Driver

General Description

The DS1687/DS3687 is a high voltage/current negative voltage relay driver having many features not available in present relay drivers.

PNP inputs provide both TTL/LS compatibility and high input impedance for low input loading.

Output leakage is specified over temperature at an output voltage of $-54V$. Minimum output breakdown (ac/latch breakdown) is specified over temperature at -5 mA. This clearly defines the actual breakdown of the device since the circuit has incorporated in it an internal reference which does not allow output breakdown latching found in existing relay drivers. Additionally, this internal reference circuit feature will eliminate the need in most cases of an external clamping (inductive transient voltage protection) diode. When the output is turned "OFF" by input logic conditions the resulting inductive voltage transient seen at the output is detected by an internal zener reference. The reference then momentarily activates the output transistor long enough so that the relay energy is discharged. This feature eliminates the need of external circuit protection components and insures output transistor protection.

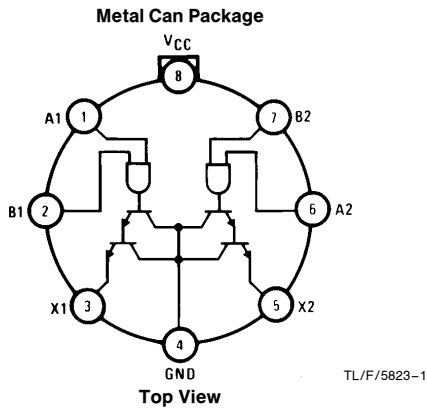
The outputs are Darlington connected transistors, which allow high current operation at low internal V_{CC} current levels—base drive for the output transistor is obtained from the load in proportion to the required loading conditions. Typical V_{CC} power with both outputs "ON" is 90 mW.

The circuit also features output transistor protection if the V_{CC} supply is lost by forcing the output into the high impedance "OFF" state with the same breakdown levels as when V_{CC} was applied.

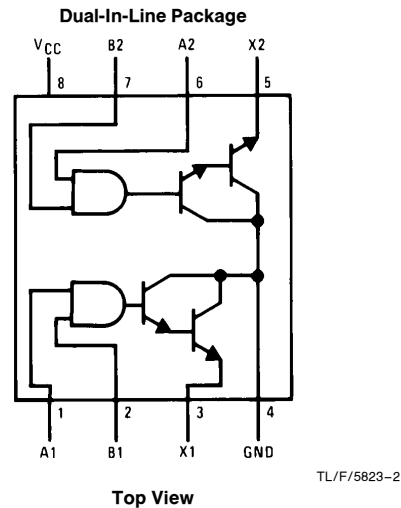
Features

- TTL/LS/CMOS compatible inputs
- High impedance inputs (PNP's)
- High output voltage breakdown ($-65V$ typ)
- High output current capability (300 mA max)
- Internal protection circuit eliminates need for output protection diode
- Output breakdown protection if V_{CC} supply is lost
- Low V_{CC} power dissipation (90 mW (typ) both outputs "ON")
- Voltage and current levels compatible for use in telephone relay applications

Connection Diagrams



Pin 4 is in electrical contact with the case
Order Number DS1687H or DS3687H
See NS Package Number H08C



Order Number DS1687J-8,
DS3687J-8 or DS3687N
See NS Package Number J08A or N08E

Truth Table

Positive logic: $\overline{AB} = X$

A	B	Output X
0	0	1
1	0	1
0	1	1
1	1	0

Logic "0" output "ON"
 Logic "1" output "OFF"

Absolute Maximum Ratings (Note 1)

If Military/Aerospace specified devices are required, please contact the National Semiconductor Sales Office/Distributors for availability and specifications.

Supply Voltage	7V
Input Voltage	15V
Output Voltage	56V
Storage Temperature Range	-65°C to +150°C
Maximum Power Dissipation* at 25°C	
Cavity Package	1133 mW
Molded Package	1022 mW
TO-5 Package	787 mW
Lead Temperature (Soldering, 4 seconds)	260°C

*Derate cavity package 7.6 mW/°C above 25°C; derate molded package 8.2 mW/°C above 25°C; derate TO-5 package 5.2 mW/°C above 25°C.

Operating Conditions

	Min	Max	Units
Supply Voltage, V_{CC}			
DS1687	4.5	5.5	V
DS3687	4.75	5.25	V
Temperature, T_A			
DS1687	-55	+125	°C
DS3687	0	+70	°C

Electrical Characteristics (Note 2 and 3)

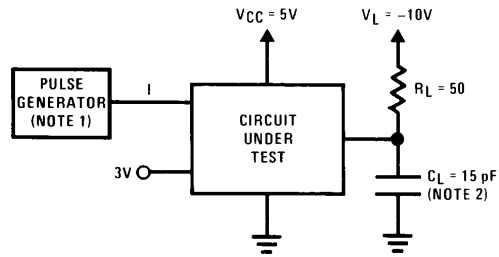
Symbol	Parameter	Conditions	Min	Typ	Max	Units	
V_{IH}	Logical "1" Input Voltage		2.0			V	
I_{IH}	Logical "1" Input Current	$V_{CC} = \text{Max}, V_{IN} = 5.5V$		1.0		μA	
V_{IL}	Logical "0" Input Voltage				0.8	V	
I_{IL}	Logical "0" Input Current	$V_{CC} = \text{Max}, V_{IN} = 0.4V$		-150	-250	μA	
V_{CD}	Input Clamp Voltage	$V_{CC} = 5V, I_{CLAMP} = -12 \text{ mA}, T_A = 25^\circ C$		-1.0	-1.5	V	
V_{OH}	Output Breakdown	$V_{CC} = \text{Max}, V_{IN} = 0V, I_{OUT} = -5 \text{ mA}$	-56	-65		V	
I_{OH}	Output Leakage	$V_{CC} = \text{Max}, V_{IN} = 0V, V_{OUT} = -54V$		-0.5	-250	μA	
V_{OL}	Output ON Voltage	$V_{CC} = \text{Min}, V_{IN} = 2V$	DS1687	$I_{OL} = -100 \text{ mA}$	-0.9	-1.1	V
				$I_{OL} = -300 \text{ mA}$	-1.0	-1.3	V
		DS3687	$I_{OL} = -100 \text{ mA}$	-0.9	-1.0	V	
			$I_{OL} = -300 \text{ mA}$	-1.0	-1.2	V	
$I_{CC(1)}$	Supply Current (Both Drivers)	$V_{CC} = \text{Max}, V_{IN} = 0V, \text{Outputs Open}$		2	4	mA	
$I_{CC(0)}$	Supply Current (Both Drivers)	$V_{CC} = \text{Max}, V_{IN} = 3V, \text{Outputs Open}$		18	28	mA	
$t_{PD(ON)}$	Propagation Delay to a Logical "0" (Output Turn ON)	$C_L = 15 \text{ pF}, V_L = -10V, R_L = 50\Omega, T_A = 25^\circ C, V_{CC} = 5V$		50		ns	
$t_{PD(OFF)}$	Propagation Delay to a Logical "1" (Output Turn OFF)	$C_L = 15 \text{ pF}, V_L = -10V, R_L = 50\Omega, T_A = 25^\circ C, V_{CC} = 5V$		1.0		μs	

Note 1: "Absolute Maximum Ratings" are those values beyond which the safety of the device cannot be guaranteed. Except for "Operating Temperature Range" they are not meant to imply that the devices should be operated at these limits. The table of "Electrical Characteristics" provides conditions for actual device operation.

Note 2: Unless otherwise specified min/max limits apply across the -55°C to +125°C temperature range for the DS1687 and across the 0°C to +70°C range for the DS3687. All typicals are given for $V_{CC} = 5V$ and $T_A = 25^\circ C$.

Note 3: All currents into device pins shown as positive, out of device pins as negative, all voltages referenced to ground unless otherwise noted. All values shown as max or min or absolute value basis.

AC Test Circuit and Switching Time Waveforms

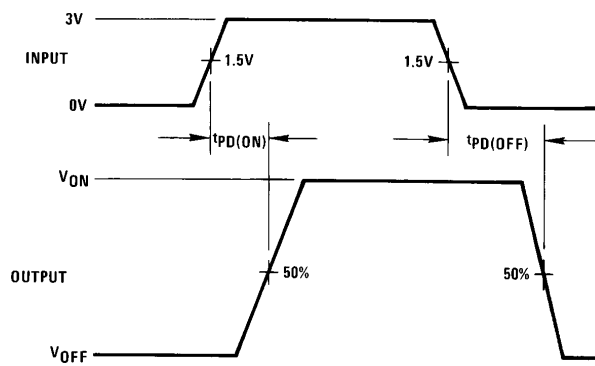


TL/F/5823-4

Note 1: The pulse generator has the following characteristics:

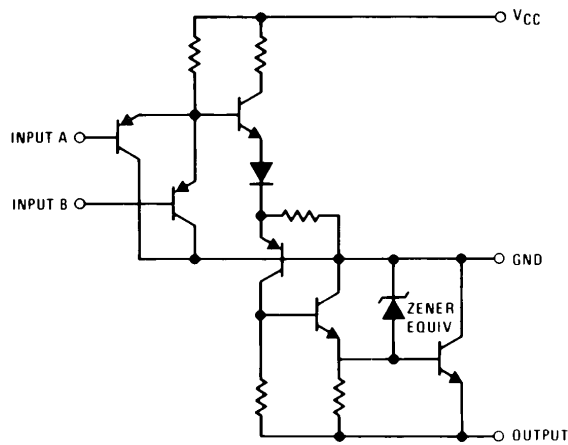
PRR = MHz, 50% duty cycle, $Z_{OUT} \approx 50\Omega$, $t_r = t_f \leq 10 \text{ ns}$.

Note 2: C_L includes probe and jig capacitance.



TL/F/5823-5

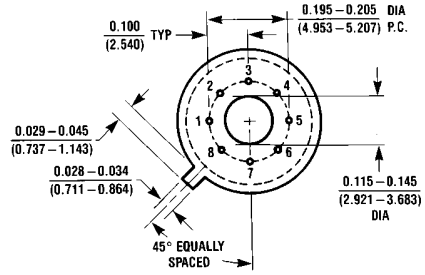
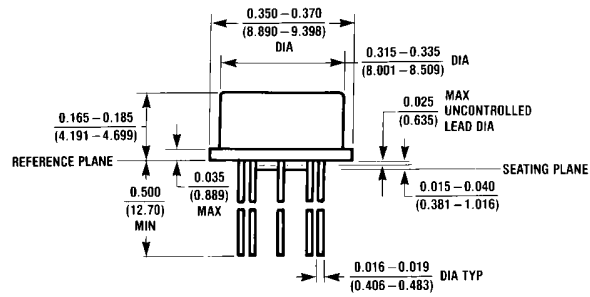
Schematic Diagram



TL/F/5823-3

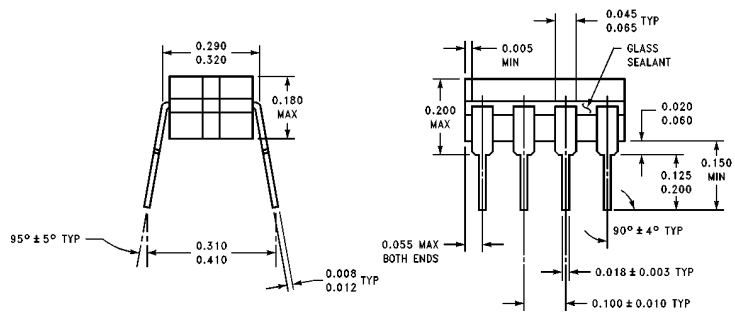
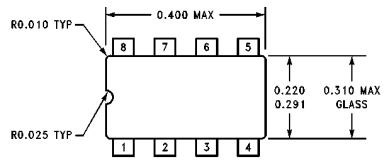


Physical Dimensions inches (millimeters)



H08C (REV E)

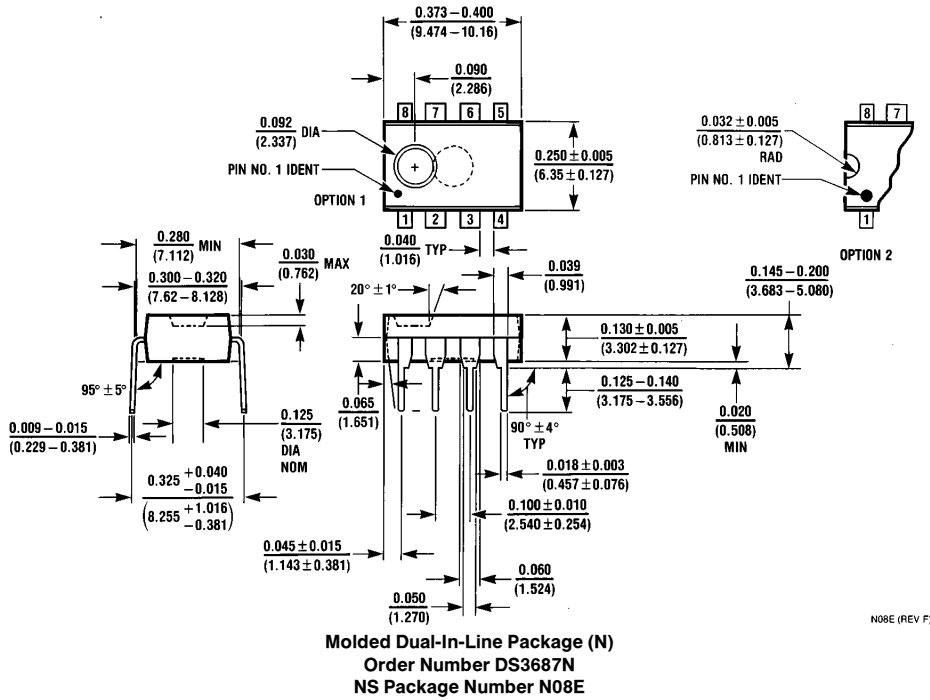
Metal Can Package (H)
Order Number DS1687H or DS3687H
NS Package Number H08C



J08A (REV K)

Ceramic Dual-In-Line Package (J)
Order Number DS1687J-8 or DS3687J-8
NS Package Number J08A

Physical Dimensions inches (millimeters) (Continued)



LIFE SUPPORT POLICY

NATIONAL'S PRODUCTS ARE NOT AUTHORIZED FOR USE AS CRITICAL COMPONENTS IN LIFE SUPPORT DEVICES OR SYSTEMS WITHOUT THE EXPRESS WRITTEN APPROVAL OF THE PRESIDENT OF NATIONAL SEMICONDUCTOR CORPORATION. As used herein:

1. Life support devices or systems are devices or systems which, (a) are intended for surgical implant into the body, or (b) support or sustain life, and whose failure to perform, when properly used in accordance with instructions for use provided in the labeling, can be reasonably expected to result in a significant injury to the user.
2. A critical component is any component of a life support device or system whose failure to perform can be reasonably expected to cause the failure of the life support device or system, or to affect its safety or effectiveness.



National Semiconductor Corporation
 1111 West Bardin Road
 Arlington, TX 76017
 Tel: 1(800) 272-9959
 Fax: 1(800) 737-7018

National Semiconductor Europe
 Fax: (+49) 0-180-530 85 86
 Email: cnjwge@tevm2.nsc.com
 Deutsch Tel: (+49) 0-180-530 85 85
 English Tel: (+49) 0-180-532 78 32
 Français Tel: (+49) 0-180-532 93 58
 Italiano Tel: (+49) 0-180-534 16 80

National Semiconductor Hong Kong Ltd.
 19th Floor, Straight Block,
 Ocean Centre, 5 Canton Rd.
 Tsimshatsui, Kowloon
 Hong Kong
 Tel: (852) 2737-1600
 Fax: (852) 2736-9960

National Semiconductor Japan Ltd.
 Tel: 81-043-299-2309
 Fax: 81-043-299-2408

National does not assume any responsibility for use of any circuitry described, no circuit patent licenses are implied and National reserves the right at any time without notice to change said circuitry and specifications.