

KHS SERIES

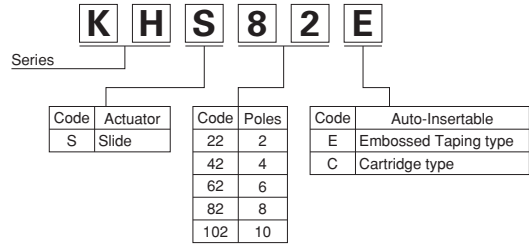
HALF PITCH DIP SWITCHES

FEATURES

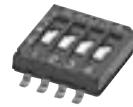
- These super-miniature (a terminal pitch of 0.05 inch) multi-contact switches are designed for use inside a very space saving and high technical electronic equipment.
- Reliability maintained with a size reduction of 41.9% (compared with our 8 poles standard DIP switches).
- The plastic case is designed for better heat resistance.
- Gold-plated electrical contacts are the standard specification.
- SMT units are compatible with an automatic assembling equipment, reflow (tape sealing) mounting and washable. (Compatible with automatic handling methods; such as a tape and cartridge).

300mil SOP Standard

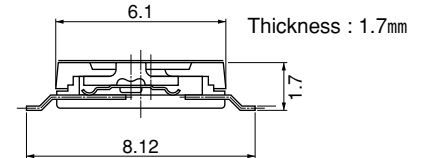
HOW TO ORDER



LOW PROFILE TYPE



KHU04



Rating : DC24V, 25mA max.
Dimension : 6.2×8.1×1.7mm

NEW PRODUCTS

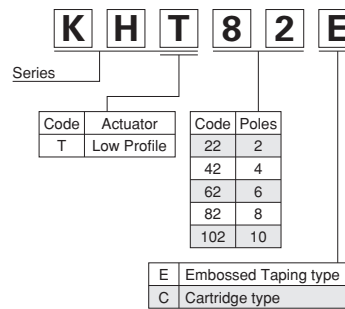
KHT SERIES

ULTRA LOW PROFILE HALF-PITCH SLIDE TYPE SMT DIP SWITCHES RoHS Compliance Product

FEATURES

- Ultra-miniaturization by reducing internal structure: (1.27mm pitch and 1.45mm height).
- Further high density mounting (space saving: approx. 1/2 of our standard KHS82 type).
- Higher heat-resistance by making use of engineering plastic.
- Reliable contact stability by twin gold-plated contact available as standard specifications.
- Auto-mountable, reflow and washable Both tube-packaging and tape & reel packaging are available.

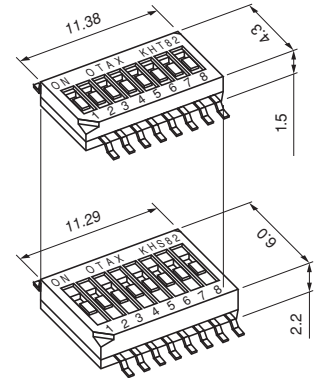
HOW TO ORDER



■ To be marketed at a later date.

COMPARISON WITH CONVENTIONAL TYPE

■ KHT82



■ KHS82

NEW PRODUCTS

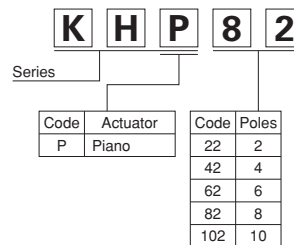
KHP SERIES

ULTRA MINIATURE HALF-PITCH PIANO TYPE SMT DIP SWITCHES RoHS Compliance Product

FEATURES

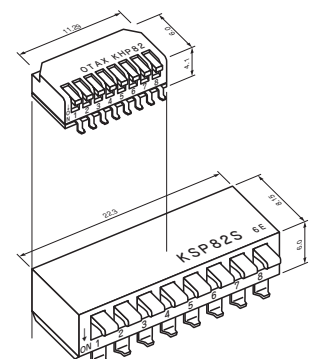
- Ultra-miniaturization by reducing internal structure: (1.27mm terminal pitch).
- Further high density mounting (space saving: approx. 1/4 of our standard KSP82 type).
- Higher heat-resistance by making use of engineering plastic.
- Reliable contact stability by twin gold-plated contact available as standard specifications.
- Auto-mountable, reflow and washable Both tube-packaging and tape & reel packaging are available.

HOW TO ORDER

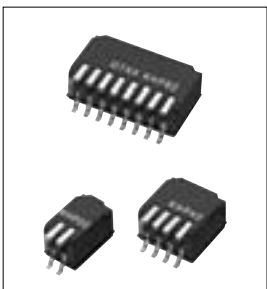
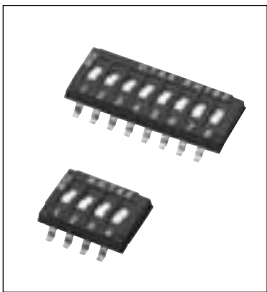


COMPARISON WITH CONVENTIONAL TYPE

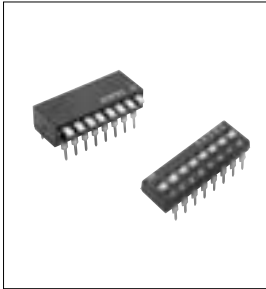
■ KHP82



■ KSP82S



K SERIES

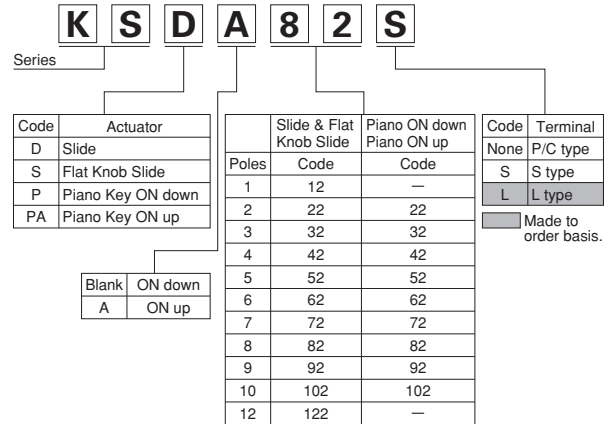


DUAL IN-LINE PACKAGE SWITCHES

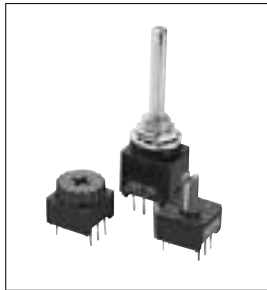
FEATURES

- The heat resistance was greatly improved by employing ceramic substrates.
- The exclusive knife-edge contact method always ensures stable contact regardless of solder flux or any other environmental hazards.
- Contact pressure is as big as 200kg/mm² and immune to accidental operation by shock or vibration.
- Identical to ICs in terminal dimensions and configurations, making switches automatically mountable onto PC boards by the use of parts insertion machine for assembly work efficiency.
- High pressure "knife-edge" contact is capable enough to break possibly formed film by oxidation or sulfurization, ensuring long life expectancy.
- The cleaning solution can be used for a longer and is not necessary to change as often as for the conventional ones.

HOW TO ORDER



K SERIES

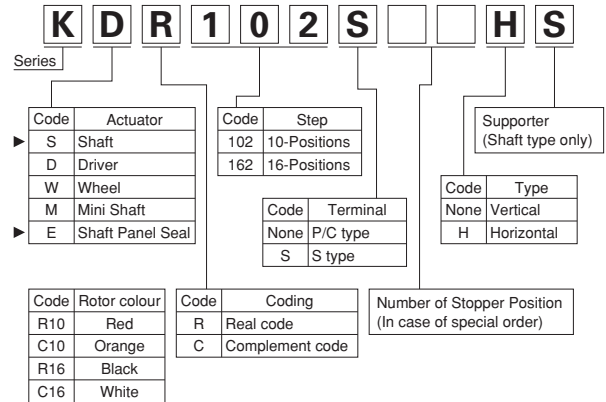


ROTARY DIGITAL CODED DIP SWITCHES

FEATURES

- Exclusive knife-edge high contact pressure (100kg/mm²) ensures stable contact, giving immunity to accidental operation by shock or vibration.
- High pressure 'edge' or 'point' contact is capable enough to break possibly formed film by oxidation or sulfurization, ensuring long life expectancy of 20,000 cycles or more.
- Moulded-in terminals and fully sealed construction offer flux-free flow-soldering and automatic cleaning capabilities.
- Low profile and ruggedly constructed.
- 2.54mm terminal spacing allows direct PCB mounting and also fits into standard IC sockets.
- Miniaturized size allows high density mounting.

HOW TO ORDER

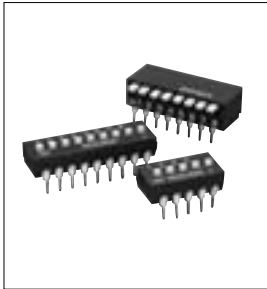


W SERIES

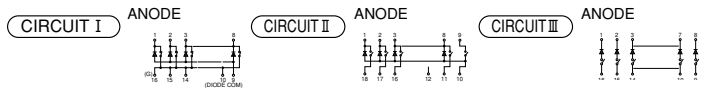
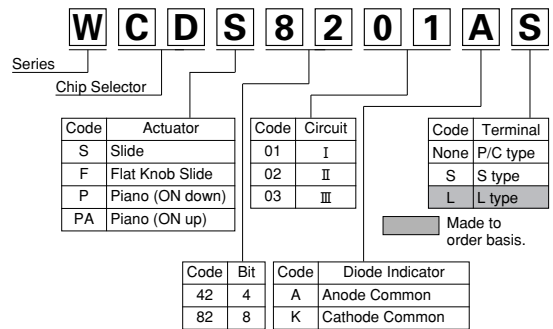
DIP-DIODE SWITCHES (HYBRID)

FEATURES

- Tremendous production cost saving because of diode network incorporated inside the housing, which greatly contributes to VA/VE.
- Tremendous time and cost saving in component part procurement and inventory control.
- Space saving because of the same size as IC.
- Auto-insertion, Auto-soldering and Auto-cleaning.
- Environmentally sealed.
- Most stable and reliable contact because of extremely high contact pressure mechanism(200kg/mm²).



HOW TO ORDER

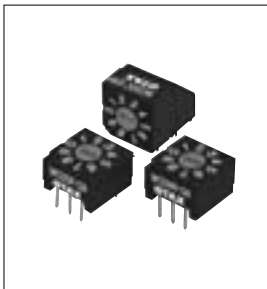


W SERIES

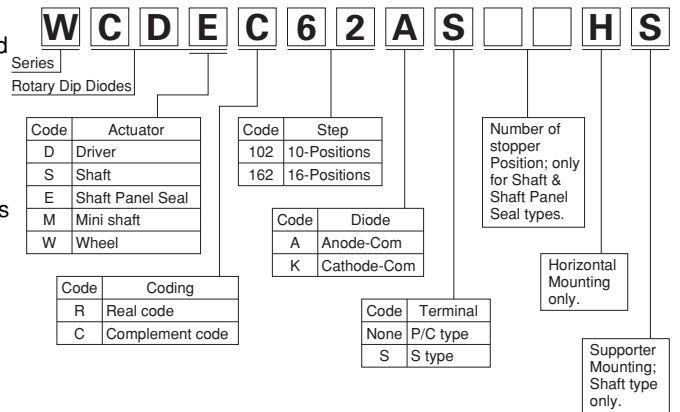
ROTARY DIP-DIODE SWITCHES (HYBRID)

FEATURES

- Tremendous production cost saving because of the diode network incorporated inside the housing, which greatly contributes to VA/VE.
- Tremendous time and cost saving in component part procurement and inventory control.
- Space saving because of the same size as standard Rotary Dip Switches w/o diode.
- Auto-soldering and Auto-cleaning.
- Environmentally sealed.
- Most stable and reliable contact because of extremely high contact pressure mechanism(100kg/mm²).



HOW TO ORDER

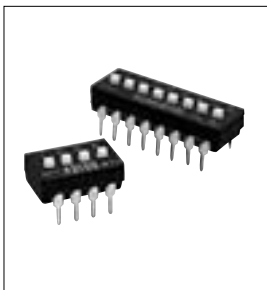


W SERIES

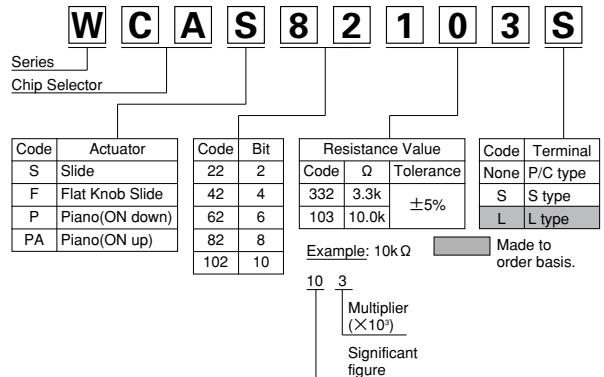
DIP-RESISTOR SWITCHES (HYBRID)

FEATURES

- Tremendous production cost saving because of resistor network incorporated inside the housing, which greatly contributes to VA/VE.
- Tremendous time and cost saving in component part procurement and inventory control.
- Space saving because of the same size as IC.
- Auto-insertion, Auto-soldering and Auto-cleaning.
- Environmentally sealed.
- Most stable and reliable contact because of extremely high contact pressure mechanism(200kg/mm²).



HOW TO ORDER

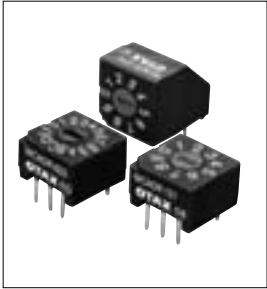


W SERIES

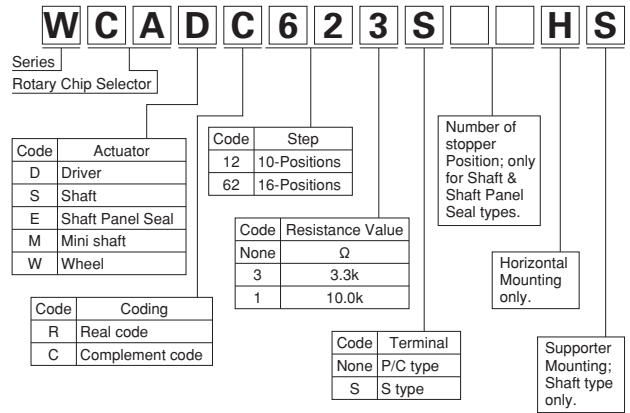
ROTARY DIP-RESISTOR SWITCHES (HYBRID)

FEATURES

- Tremendous production cost saving because of resistor network incorporated inside the housing, which greatly contributes to VA/VE.
- Tremendous time and cost saving in component part procurement and inventory control.
- Space saving because of the same size as standard Rotary-Dip-Switches w/o resistor.
- Environmentally sealed.
- Most stable and reliable contact because of extremely high contact pressure mechanism(100kg/mm²).



HOW TO ORDER



W SERIES

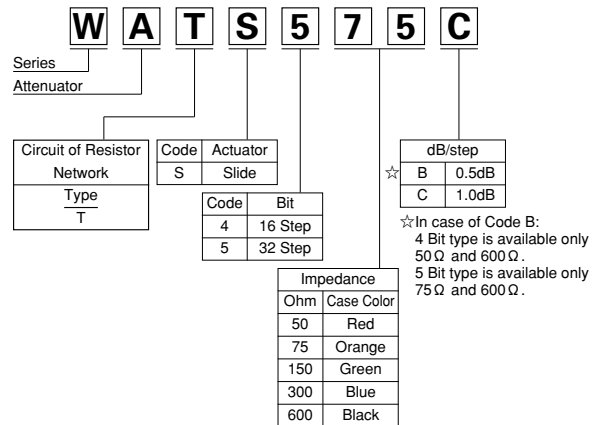
DIGITAL ATTENUATOR DIP SWITCHES (HYBRID)

FEATURES

- Tremendous production cost saving because of resistor network incorporated inside the housing, which greatly contributes to VA/VE.
- Tremendous time and cost saving in component part procurement and inventory control.
- Space saving because of the same size as IC.
- Auto-insertion, Auto-soldering and Auto-cleaning.
- Environmentally sealed.
- Most stable and reliable contact because of extremely high contact pressure mechanism(200kg/mm²).



HOW TO ORDER

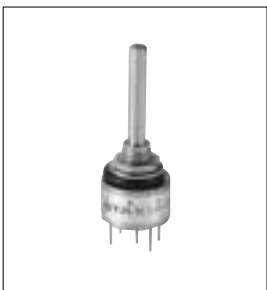


KR SERIES

SPLASHPROOF ROTARY DIP DIGITAL CODE SWITCHES

FEATURES

- Series KR Splashproof rotary switches are the smallest panel mounted code switches available.
- Rigid and stable with a Zinc die-casting body.
- Gold plated contacts with a high pressure knife edge contact provide excellent reliability.
- Life expectancy, 100,000 steps minimum.
- Completely sealed with inserted-in terminals.



HOW TO ORDER

