

# SMD Type Crystal Resonators

## DSX321G



### ■ Features

- Miniature SMD crystal resonators. (height 0.75mm)
- Higher precision and reliability.
- Low-cost model.
- Suitable for DVC or DSC.

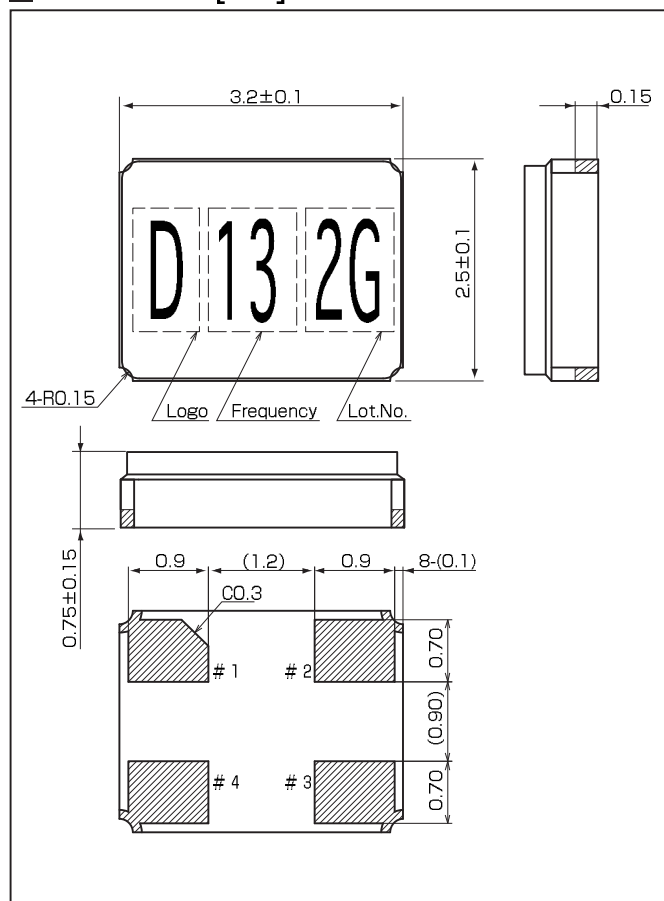
### ■ Generic Specification

Item	Type	DSX321G			
Frequency Range		11~12MHz	12~20MHz	20~28MHz	28~50MHz
Vibration Mode		Fundamental			
Load Capacitance		Series, 8pF, 10pF, 12pF			
Drive Level		10μW (300μW max.)			
Frequency Tolerance		±10×10 <sup>-6</sup> ~±50×10 <sup>-6</sup> (at 25°C)			
Series Resistance		100Ω max.	80Ω max.	60Ω max.	50Ω max.
Frequency Characteristics over Temperature		±7×10 <sup>-6</sup> / -10~+60°C(Ref. to 25°C)			
		±10×10 <sup>-6</sup> / -20~+70°C(Ref. to 25°C)			
		±15×10 <sup>-6</sup> / -30~+85°C(Ref. to 25°C)			
Storage Temperature Range		-40~+85°C			

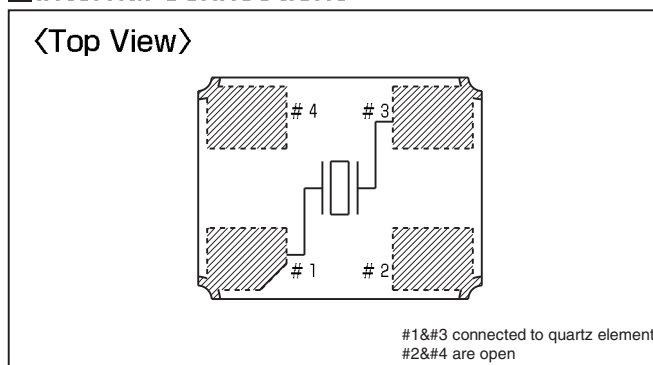
Packing Unit : 3000pcs./reel (φ180)

Consult our sales representative for other specifications or special specifications.  
Refer to page 34 for standard specification.

### ■ Dimensions[mm]



### ■ Internal Connections



### ■ Recommended Land Pattern [mm]

