

54LS256/DM74LS256

Dual 4-Bit Addressable Latch

General Description

The 'LS256 is a dual 4-bit addressable latch with common control inputs; these include two Address inputs (A0, A1), an active LOW enable input (\bar{E}) and an active LOW Clear input (\bar{CL}). Each latch has a Data input (D) and four outputs (Q0–Q3).

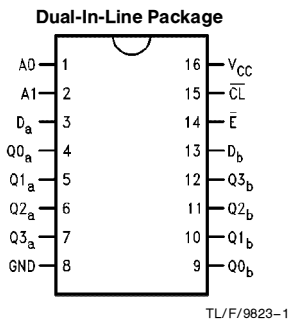
When the Enable (\bar{E}) is HIGH and the Clear input (\bar{CL}) is LOW, all outputs (Q0–Q3) are LOW. Dual 4-channel demultiplexing occurs when the \bar{CL} and \bar{E} are both LOW. When \bar{CL} is HIGH and \bar{E} is LOW, the selected output (Q0–Q3), determined by the Address inputs, follows D. When the \bar{E} goes HIGH, the contents of the latch are stored. When operating in the addressable latch mode (\bar{E} = LOW, \bar{CL} = HIGH), changing more than one bit of the Address (A0, A1)

could impose a transient wrong address. Therefore, this should be done only while in the memory mode (\bar{E} = \bar{CL} = HIGH).

Features

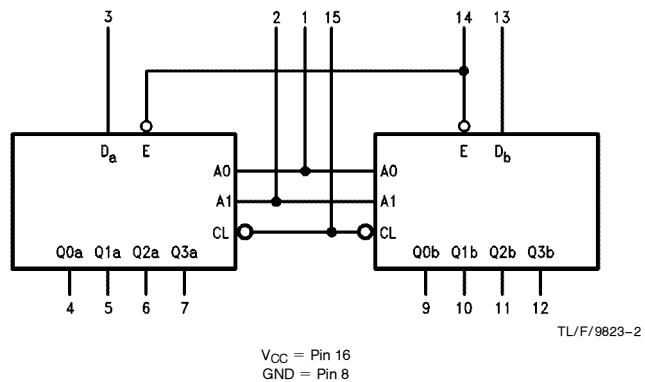
- Serial-to-parallel capability
- Output from each storage bit available
- Random (addressable) data entry
- Easily expandable
- Active low common clear

Connection Diagram



**Order Number 54LS256DMQB,
54LS256FMQB or DM74LS256N**
See NS Package Number J16A,
N16E or W16A

Logic Symbol



Pin Names	Description
A0, A1	Common Address Inputs
D _a , D _b	Data Inputs
\bar{E}	Common Enable Input (Active LOW)
\bar{CL}	Conditional Clear Input (Active LOW)
Q0 _a –Q3 _a	Side A Latch Outputs
Q0 _b –Q3 _b	Side B Latch Outputs

Truth Table

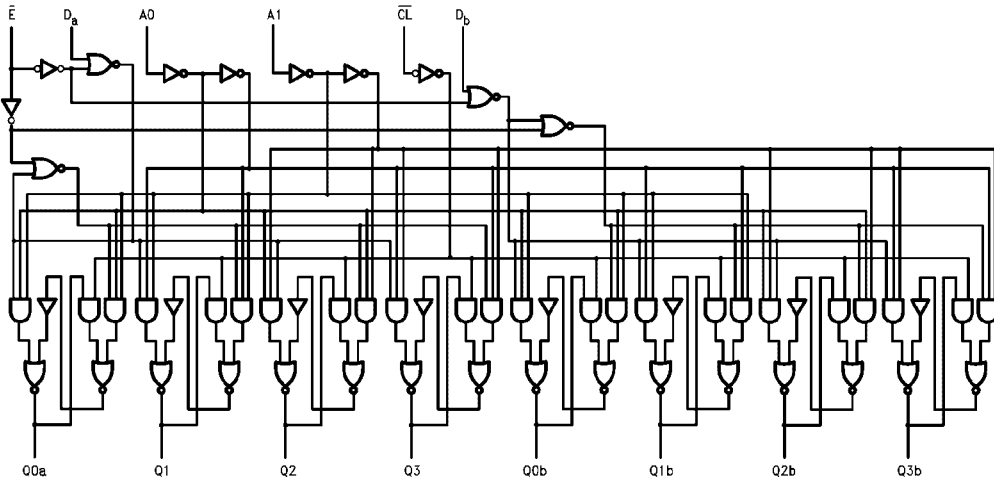
Inputs				Outputs				Mode
\overline{CL}	\overline{E}	A0	A1	Q0	Q1	Q2	Q3	
L	H	X	X	L	L	L	L	Clear
L	L	L	L	D	L	L	L	Demultiplex
L	L	H	L	L	D	L	L	
L	L	L	H	L	L	D	L	
L	L	H	H	L	L	L	D	
H	H	X	X	Q_{t-1}	Q_{t-1}	Q_{t-1}	Q_{t-1}	Memory
H	L	L	L	D	Q_{t-1}	Q_{t-1}	Q_{t-1}	Addressable Latch
H	L	H	L	Q_{t-1}	D	Q_{t-1}	Q_{t-1}	
H	L	L	H	Q_{t-1}	Q_{t-1}	D	Q_{t-1}	
H	L	H	H	Q_{t-1}	Q_{t-1}	Q_{t-1}	D	

$t-1$ = Bit time before address change or rising edge of E
 H = HIGH Voltage Level
 L = LOW Voltage Level
 X = Immaterial

Mode Selection

\overline{E}	\overline{CL}	Mode
L	H	Addressable Latch
H	H	Memory
L	L	Active HIGH 4-Channel Demultiplexers
H	L	Clear

Logic Diagram



TL/F/9823-3

Absolute Maximum Ratings (Note)

If Military/Aerospace specified devices are required, please contact the National Semiconductor Sales Office/Distributors for availability and specifications.

Supply Voltage	7V
Input Voltage	7V
Operating Free Air Temperature Range	
54LS	–55°C to +125°C
DM74LS	0°C to +70°C
Storage Temperature Range	–65°C to +150°C

Note: The “Absolute Maximum Ratings” are those values beyond which the safety of the device cannot be guaranteed. The device should not be operated at these limits. The parametric values defined in the “Electrical Characteristics” table are not guaranteed at the absolute maximum ratings. The “Recommended Operating Conditions” table will define the conditions for actual device operation.

Recommended Operating Conditions

Symbol	Parameter	54LS256			DM74LS256			Units
		Min	Nom	Max	Min	Nom	Max	
V _{CC}	Supply Voltage	4.5	5	5.5	4.75	5	5.25	V
V _{IH}	High Level Input Voltage	2			2			V
V _{IL}	Low Level Input Voltage			0.7			0.8	V
I _{OH}	High Level Output Current			–0.4			–0.4	mA
I _{OL}	Low Level Output Current			4			8	mA
T _A	Free Air Operating Temperature	–55		125	0		70	°C
t _S (H)	Setup Time HIGH, D _n to \bar{E}	20			20			ns
t _H (H)	Hold Time HIGH, D _n to \bar{E}	0			0			ns
t _S (L)	Setup Time LOW, D _n to \bar{E}	15			15			ns
t _H (L)	Hold Time LOW, D _n to \bar{E}	0			0			ns
t _S (H) t _S (L)	Setup Time HIGH or LOW, A _n to \bar{E}	0			0			ns
t _w (L)	\bar{E} Pulse Width LOW	17			17			ns

Electrical Characteristics

Over recommended operating free air temperature range (unless otherwise noted)

Symbol	Parameter	Conditions	Min	Typ (Note 1)	Max	Units
V _I	Input Clamp Voltage	V _{CC} = Min, I _I = –18 mA			–1.5	V
V _{OH}	High Level Output Voltage	V _{CC} = Min, I _{OH} = Max V _{IL} = Max	54LS	2.5		V
			DM74	2.7	3.4	
V _{OL}	Low Level Output Voltage	V _{CC} = Min, I _{OL} = Max V _{IH} = Min	54LS		0.4	V
			DM74		0.35	
		I _{OL} = 4 mA, V _{CC} = Min	DM74		0.25	
I _I	Input Current @ Max Input Voltage	V _{CC} = Max, V _I = 10V	Inputs		0.1	mA
			\bar{E}		0.2	
I _{IH}	High Level Input Current	V _{CC} = Max, V _I = 2.7V	Inputs		20	μA
			\bar{E}		40	
I _{IL}	Low Level Input Current	V _{CC} = Max, V _I = 0.4V	Inputs		–0.4	mA
			\bar{E}		–0.8	
I _{OS}	Short Circuit Output Current	V _{CC} = Max (Note 2)	54LS	–20	–100	mA
			DM74	–20	–100	
I _{CC}	Supply Current	V _{CC} = Max			25	mA

Note 1: All typicals are at V_{CC} = 5V, T_A = 25°C.

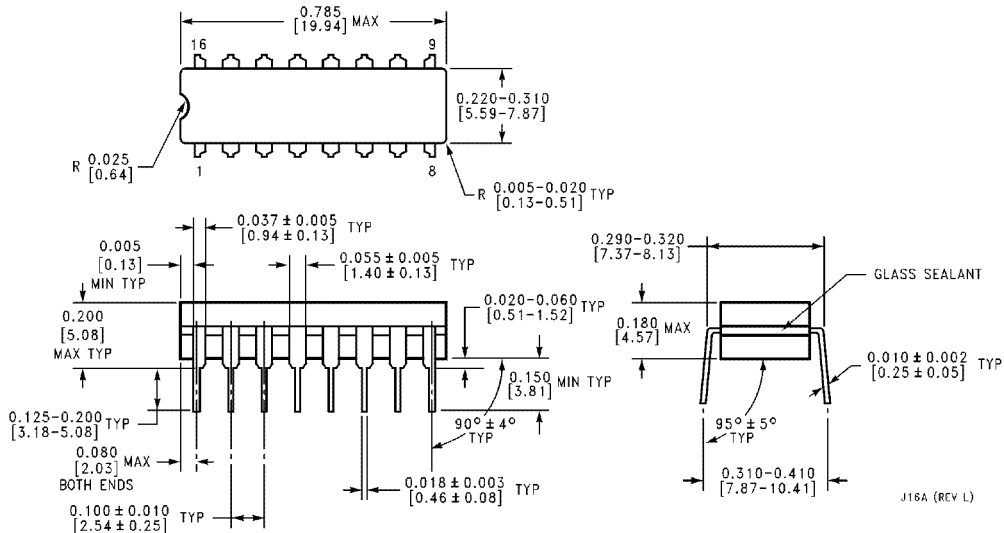
Note 2: Not more than one output should be shorted at a time, and the duration should not exceed one second.

Switching Characteristics

$V_{CC} = +5.0V$, $T_A = +25^{\circ}C$ (See Section 1 for waveforms and load configurations)

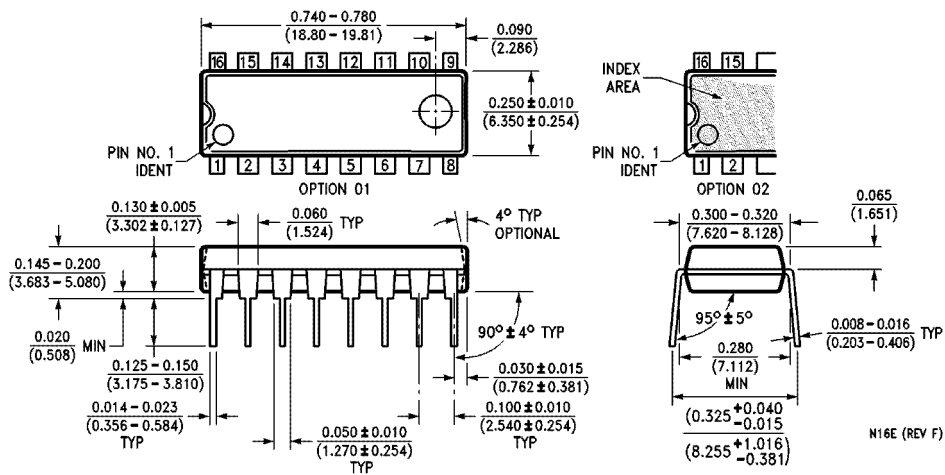
Symbol	Parameter	$R_L = 2\text{ k}\Omega$ $C_L = 15\text{ pF}$	Units
		Max	
t_{PLH} t_{PHL}	Propagation Delay \bar{E} to Q_n	27 24	ns
t_{PLH} t_{PHL}	Propagation Delay D_n to Q_n	30 20	ns
t_{PLH} t_{PHL}	Propagation Delay A_n to Q_n	30 29	ns
t_{PLH}	Propagation Delay \bar{C}_L to Q_n	18	ns

Physical Dimensions inches (millimeters)



16-Lead Ceramic Dual-In-Line Package (J)
Order Number 54LS256DMQB
NS Package Number J16A

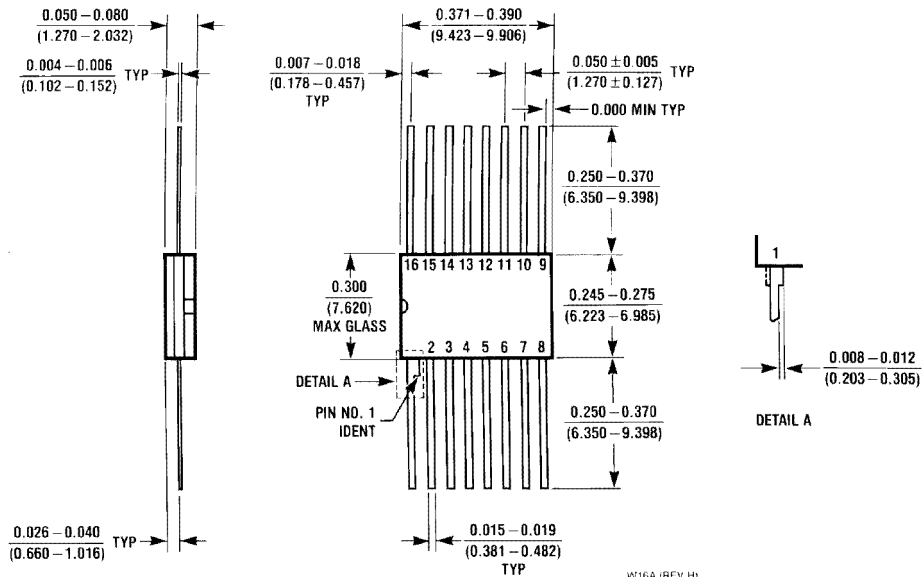
J16A (REV L)



16-Lead Molded Dual-In-Line Package (N)
Order Number DM74LS256N
NS Package Number N16E

N16E (REV F)

Physical Dimensions inches (millimeters) (Continued)



16-Lead Ceramic Flat Package (W)
Order Number 54LS256FMQB
NS Package Number W16A

LIFE SUPPORT POLICY

NATIONAL'S PRODUCTS ARE NOT AUTHORIZED FOR USE AS CRITICAL COMPONENTS IN LIFE SUPPORT DEVICES OR SYSTEMS WITHOUT THE EXPRESS WRITTEN APPROVAL OF THE PRESIDENT OF NATIONAL SEMICONDUCTOR CORPORATION. As used herein:

1. Life support devices or systems are devices or systems which, (a) are intended for surgical implant into the body, or (b) support or sustain life, and whose failure to perform, when properly used in accordance with instructions for use provided in the labeling, can be reasonably expected to result in a significant injury to the user.
2. A critical component is any component of a life support device or system whose failure to perform can be reasonably expected to cause the failure of the life support device or system, or to affect its safety or effectiveness.



National Semiconductor Corporation
 1111 West Bardin Road
 Arlington, TX 76017
 Tel: 1(800) 272-9959
 Fax: 1(800) 737-7018

National Semiconductor Europe
 Fax: (+49) 0-180-530 85 86
 Email: cnjwge@tevm2.nsc.com
 Deutsch Tel: (+49) 0-180-530 85 85
 English Tel: (+49) 0-180-532 78 32
 Français Tel: (+49) 0-180-532 93 58
 Italiano Tel: (+49) 0-180-534 16 80

National Semiconductor Hong Kong Ltd.
 13th Floor, Straight Block,
 Ocean Centre, 5 Canton Rd.
 Tsimshatsui, Kowloon
 Hong Kong
 Tel: (852) 2737-1600
 Fax: (852) 2736-9960

National Semiconductor Japan Ltd.
 Tel: 81-043-299-2309
 Fax: 81-043-299-2408