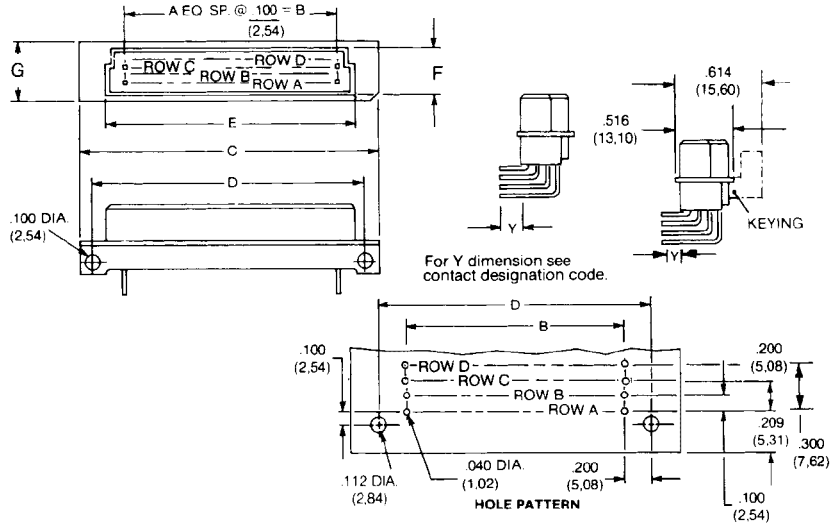


DIN 41612 Connectors



Series 8477 – Female Style R Expanded - 5 Rows (5 x 32) Inverted - .100 Pitch

Dimensions



Inches (mm)

No. Contact Positions	Contact Rows	A	B	C	D	E	F	G
160	5 (5 x 32)	31	3.100 (78.74)	3.697 (93.90)	3.500 (88.90)	3.343 (84.90)	0.437 (11.10)	0.516 (13.10)

Contact Design and Termination Length	Number of Positions	Loading Description	Part Number Performance classes according to DIN 41612		
			III	II	I
0.6 x 0.6 mm Post Profile 3.0 mm (Y) Right Angled	160	a + b + c + d + e fully loaded	20 8477 160 002 001	20 8477 160 002 025	20 8477 160 002 049
0.6 x 0.6 mm Post Profile 11.43 mm (Y) Right Angled	160	a + b + c + d + e fully loaded	20 8477 160 008 001	20 8477 160 008 025	20 8477 160 008 049
0.3 x 0.79 mm Post Profile 4.5 mm (Y) Right Angled	160	a + b + c + d + e fully loaded	20 8477 160 009 001	20 8477 160 009 025	20 8477 160 009 049
0.6 x 0.6 mm Post Profile 4.5 mm (Y) Right Angled	160	a + b + c + d + e fully loaded	20 8477 160 012 001	20 8477 160 012 025	20 8477 160 012 049

Additional information on this product is available from AVX's catalog or AVX's FAX Service. Call 1-800-879-1613 and request document #217. Visit our website <http://www.avxcorp.com>

