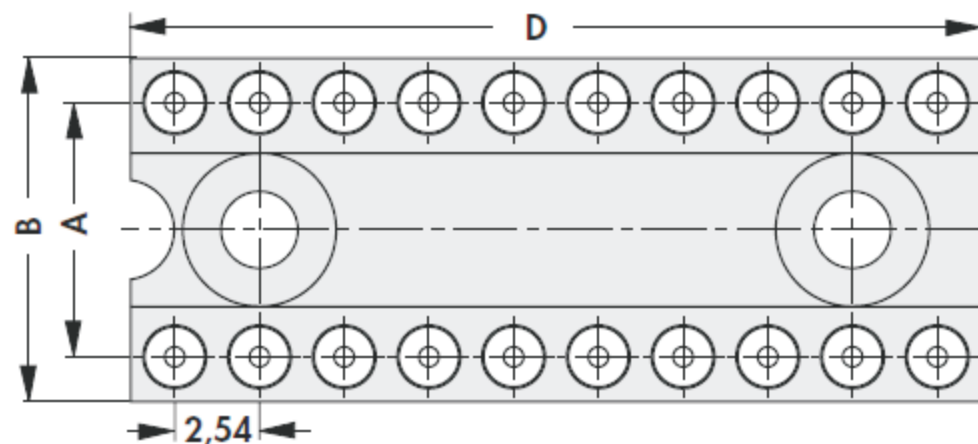
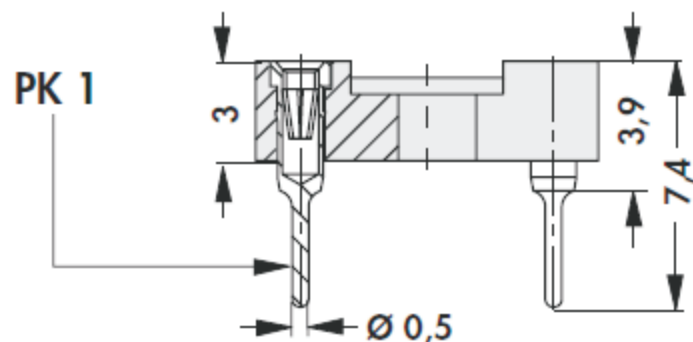
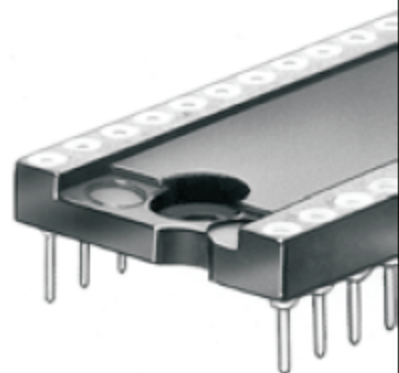


### High-precision sockets for DIL-IC, closed frame



art. no.	no. of contacts	dim. [mm]			art. no.	no. of contacts	dim. [mm]		
		A	B	D			A	B	D
<b>DIL 6 E ...</b>	6	7.62	10.30	7.60	<b>DIL 20 E ...</b>	20	7.62	10.30	25.50
<b>DIL 8 E ...</b>	8	7.62	10.30	10.10	<b>DIL 28 E ...</b>	28	15.24	17.70	35.50
<b>DIL 14 E ...</b>	14	7.62	10.30	17.70	<b>DIL 32 E ...</b>	32	15.24	17.70	40.60
<b>DIL 16 E ...</b>	16	7.62	10.30	20.40	<b>DIL 40 E ...</b>	40	15.24	17.70	50.80
<b>DIL 18 E ...</b>	18	7.62	10.30	23.00					